

User's Manual Fiber Media Converter

Overview

The non-managed fiber media converter is designed with a switch controller and buffer memory that connects two types segments operation smoothly. The converter can be used as standalone type or as card type to the 2U 19" converter rack-mount chassis for centralized power management.

Data Rate: 10/100Mbps, 10/100/1000Mbps.

Fiber Type: 550M/2KM for Multimode;

20/40/60/80/120KM for Single mode.

Optic Connector: SC(optional)/ST/FC/LC

Features

1. Built-in efficient exchange kernel, Broadcasting filtration function, flow control, CRC error check.
2. Supports SPANNING TREE to conduct fault-tolerant network.
3. Supports 10/100Mbps or 10/100/1000Mbps full/half duplex self-adaptive transmission and auto-negotiations, easy upgrades.
4. Max. transmission distance can be 120km.
5. External power or Built-in power.

6. Standalone type can be installed into 14slot 2U Rack; Card type into 16slot Rack.

7. Hot-swap, High reliability.

8. Cache capacity: 1M Bits.

9. Built-in MAC address buffer space: 1K.

Standards Protocol

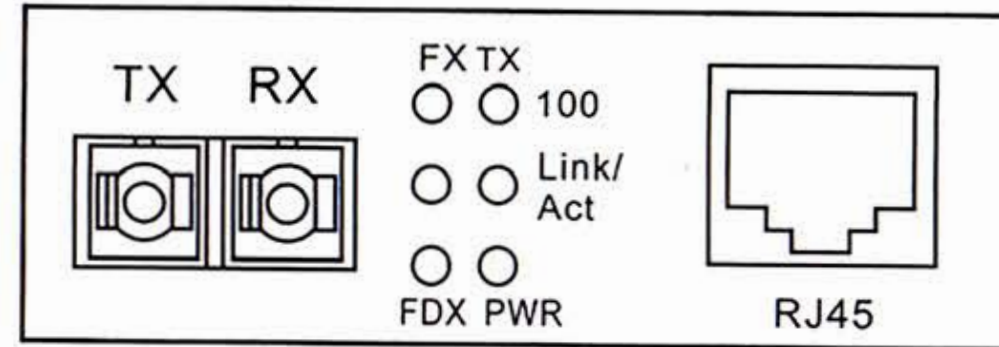
IEEE802.3 Ethernet standard IEEE802.3u fast

Ethernet standard IEEE802.3d Spanning

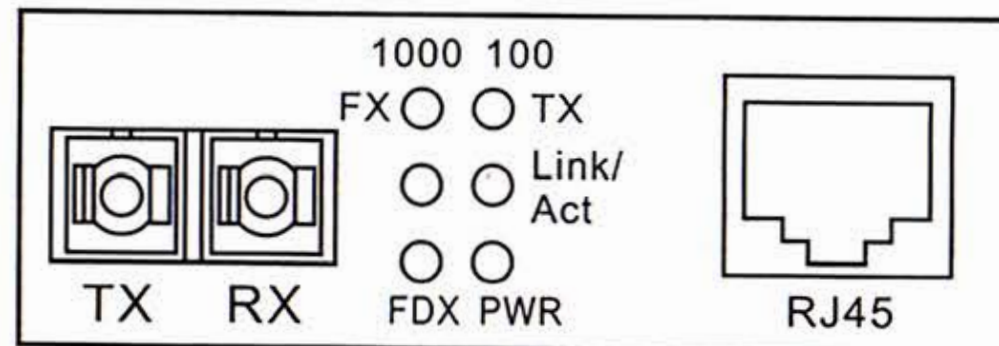
Tree standard

Panel Structure Chart

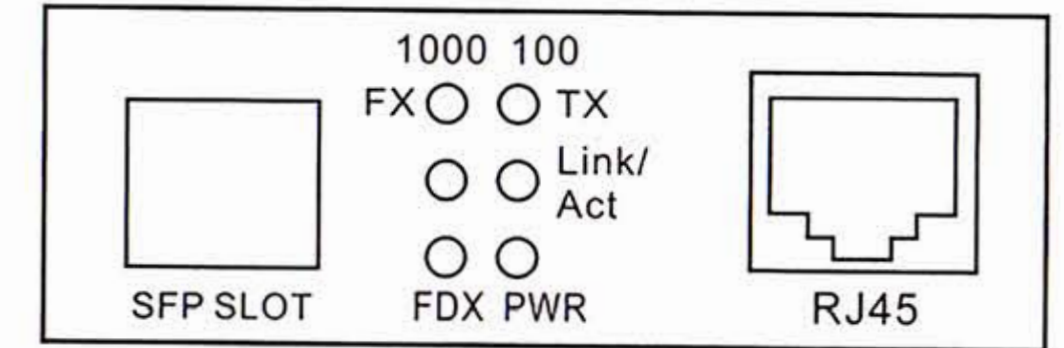
- 10/100Mbps Media Converter



- 10/100/1000Mbps Media Converter



Front Panel of SFP Media Converter



LED Status Instruction

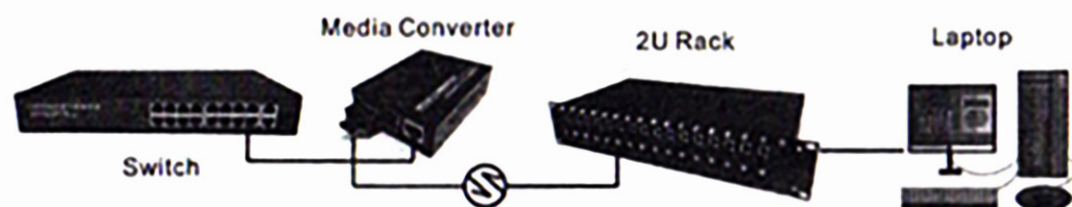
LED	FUNCTION	STATUS	OPERATION
PWR	POWER	ON	Power on
		OFF	Power off
FX	Optical Signal	ON	Connected
		OFF	Not link
TX	Ethernet	ON	Connected
FDX	Ethernet	ON	Full duplex
		OFF	Half duplex
100	Ethernet	ON	100Mbps signal
		OFF	10Mbps signal
Link/Act	Fiber/Ethernet	ON	Connected
		FLASH	Data flow
		OFF	Not link
100M	Ethernet	ON	100Mbps signal
1000M	Ethernet	ON	1000Mbps signal

Installation and Connection

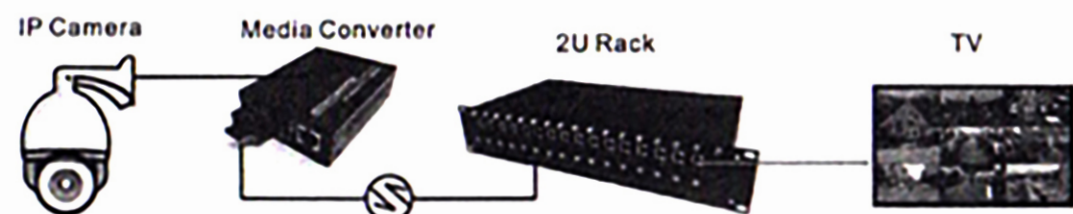
* When connecting with PC, twisted-pair are parallel lines.

* When connecting switch concentrator, twisted-pair are cross-wire.

***Connecting with IP Network**



***Connecting with IP camera**



Caution

- *The connection of optical interface must match single mode/multimode for Tx and Rx.
- *Dual fiber, Tx and Rx must be same wavelength; Single fiber, Tx and Rx as corresponding crossed wavelength.

Applicable optical cable

- *Multimode optical cable: 50/125um,62.5/125um, 100/140um.
- *Single optical cable: 8.3/125um,8.7/125um,9/125um, 10/12Sum.
- *UTP Cable: Cat5/5e,Cat6
- *Confirm the input voltage of equipment: 110V/220V or 12V/24V/48V,then connect with corresponding power adapter, PWR indicator will be on when suitable power supply.

Technical Parameter

Items	10/100M Media Converter	10/100/1000M Media Converter
Transmission Type	Fast Ethernet	Gigabit Ethernet
Transmission Mode	10/100M Full/half duplex	10/100/1000M full/half duplex
MTBF	> 3 years	> 3 years
BER	<1E-8	<1E-8
Data Buffer	1Mbits	1Mbits
Power Stability Factor	0.2mw/°C	0.2mw/°C
Input Power Range(dBm)	0~30	0~40
Operation Temperature	0°C-70°C	0°C-70°C
Storage Temperature	-45°C -80°C	-45°C -80°C
Maximum Current	800mA	800mA
Power	2.5w	2.5w
EMC	Accord with FCC Part15	Accord with FCC Part15
Volume	External: LxWxH 95 x 70x 26mm	
	Internal: LxWxH 140 x110x 30mm	

Packing List

Please check the following items from package before Installing the converter
 1* Fiber Media Converter
 1* Power Adapter 1* User Manual

Optional LFP Function

10/100Mbps
 No fiber signal when Network disconnected, vise verse.
 10/100/1000Mbps
 No Network signal when fiber disconnected.

Warranty Card

Product name	
Serial No.	
Date	

- Remark:
- *Warranty covers any manufacturing technical defect excluding breakage.
 - *Warranty is void if repairing without our consent or Warranty seal is broken.
 - *The Warranty does not following instructions.