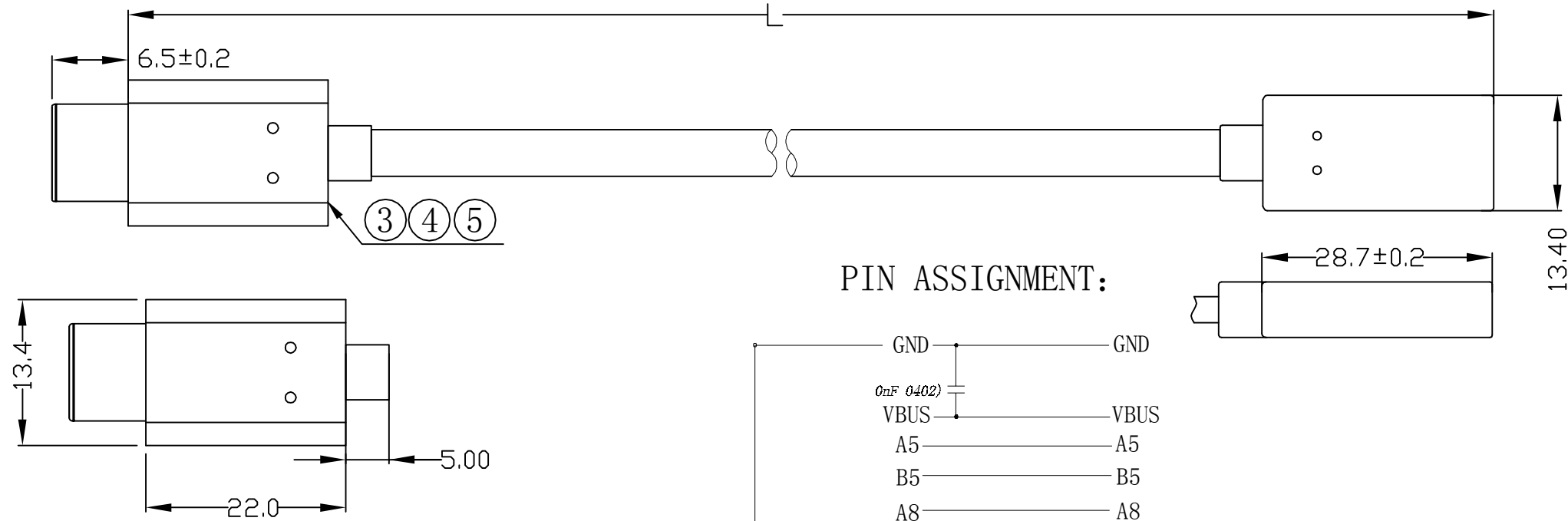
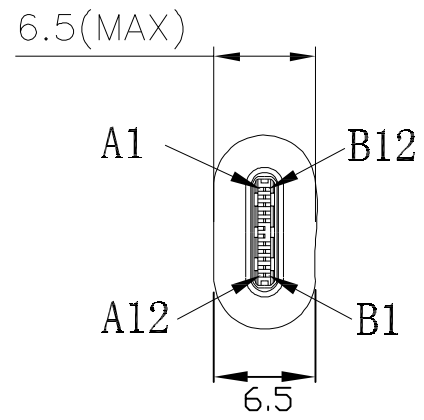
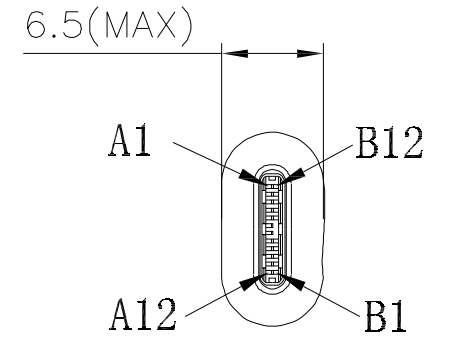


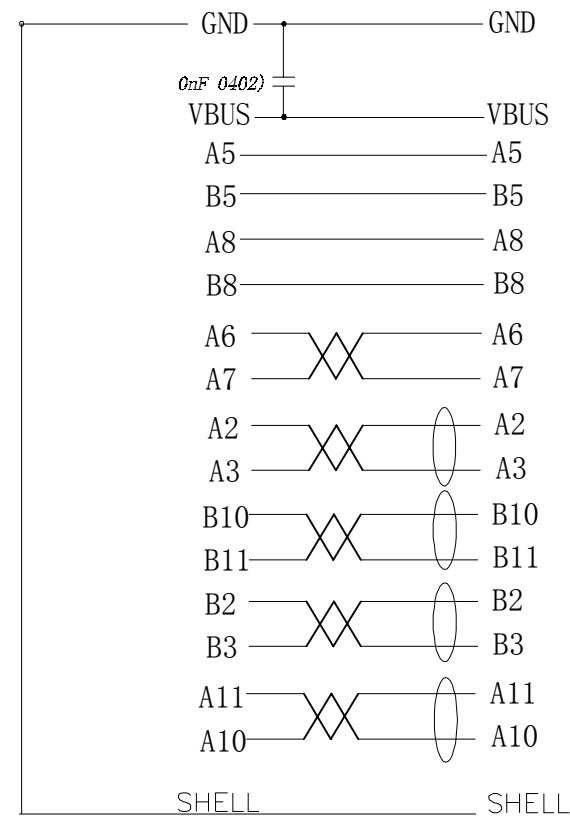
P1



P2



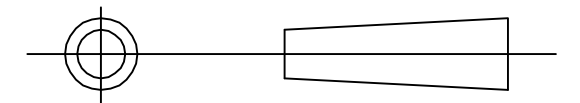
PIN ASSIGNMENT:



7		
6		
5		Molded PCV45Pa BLACK
4		Molded PE
3		USB CF
2		USB CM
1		USB3.1 (32AWG*1P+AL+MY)*4C+32AWG*1P+32AWG*4C+22AWG*2C+F+ADB OD: 4.5MM BLACK
NO.	Material	Description



Title: **USB3.1 TYPE C M/F EXTENSION CABLE**



Customer: CABLEMATIC

Page: 1/1

Drawn BY: CLR

Customer P/N: UH063

REV: A

Check BY: DYH

Date: 2019.03.20

Drawing NO.:

Unit: mm

Appd BY: