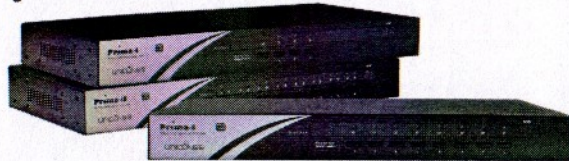


**FEATURING FIRMWARE-UPGRADE**

**Prima 4/Prima 8/Prima 16**  
4/8/16-port Cascadable Rackmount  
USB PS/2 KVM Switch w/ OSD

**Quick Installation Guide**

Thank you for purchasing the **Prima 4 / Prima 8 / Prima 16 Cascadable Rackmount USB PS/2 KVM Switch!** With our highly reliable and quality product, user can enjoy countless benefits from using it.



Prima KVM Switches

**Out-of-the-box Installation**

Take the KVM Switch out of the box and begin installation...

**⚡** If you are using any PS/2 computer: Please make sure all of your PS/2 computers should be powered off before connecting to the KVM Switch. Otherwise, the KVM Switch system might not be properly set up. However, USB computers do not have this limitation.

**Step 1.** Make sure (at least the PS/2) computers that are to be connected to the KVM switch are powered off. If not, power them off before you proceed with the following steps.

**Step 2.** Connect the shared keyboard, mouse and monitor to the console connectors on the rear of your (master) KVM switch. Power on the KVM Switch by attaching the power adapter cord.

**⚡** Although the power is constantly fed through the USB or PS/2 interface from the connected computer, it is still necessary to use the external power adapter for more stable OSD operation and the cascaded application. Without external power source, the stability of the KVM system might be compromised.

**💡** If you use only a single KVM switch in non-cascaded application, you should ignore step 3, 4 and 5 and jump directly to step 5.

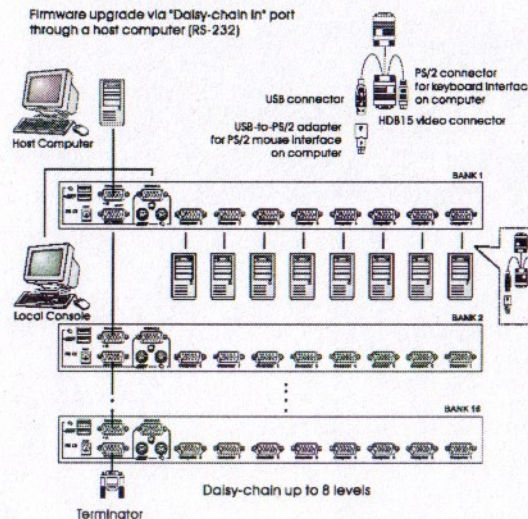
**💡** If you want to daisy-chain multiple KVM Switches, go to step 3. You can daisy-chain up to 16 levels of KVM Switches with a maximum of 256 computers connected.

**Step 3.** Use the daisy-chain cable (M-HDB15-HDB15-F) to connect the **DaisyChain OUT Port** (HDB 15 female) of the master KVM Switch to the **DaisyChain IN Port** (HDB 15 male) of the second KVM switch. Connect the power adapter cord to the second switch to power it on.

**Step 4.** If you have yet another switch to be daisy-chained, just repeat Step 3 to connect them. You can daisy-chain up to 16 units of KVM switches. **Plug a terminator onto the Daisy-chain Out Port of the last KVM switch unit.**

**Step 5.** (Now your KVM switch or daisy-chained KVM Switches should have been powered-up and initialized....) Connect each of your computers to a computer port on the rear of the switch(es). You should use the special USB PS/2 KVM cable (with the USB-to-PS/2 adapter) for connection to a USB computer (PS/2 computer).

**💡** The special KVM cable provides a PS/2 keyboard connector, a USB connector and a HDB video connector for the computer connection. When connecting with a USB computer, just plug the USB connector to it and leave the PS/2 connector free. When connecting with a PS/2 computer, just add one USB-to-PS/2 adapter to the USB connector and you'll have a PS/2 connector for mouse. **Do not connect USB connector and PS/2 keyboard connector to a computer at the same time.**



**Step 6.** Power up the connected computers. After your computer is powered up the keyboard and mouse will be recognized and now you can begin operating the switch.

**Easy Operation**

There are three ways to select a specific computer (on a specific switch, if you have multiple daisy-chained KVM switches), using *front-panel push button, hotkey sequence or OSD Menu.*

**Front-panel push buttons**

The front-panel buttons let you have direct control over KVM switch operation and channel switching. Simply press a button to switch to its corresponding channel. *See Quick Reference Sheet*

**Keyboard hotkeys**

A keyboard hotkey sequence consists of at least three specific keystrokes: *See Quick Reference Sheet*

Hotkey sequence = ScrLk + ScrLk + Command key(s)

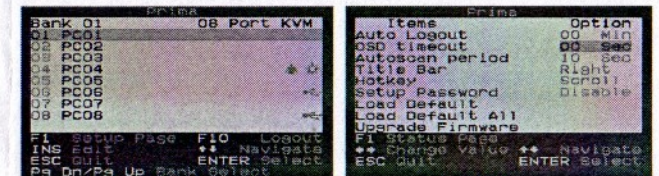
**⚡** The two consecutive ScrLk keystrokes should be pressed within 2 seconds and the following command key(s) should also be pressed within 2 seconds in likewise manner. Otherwise, the hotkey sequence will not be validated.

**💡** For detailed Hotkey sequences and their corresponding functional commands. *See Quick Reference Sheet*

**OSD Menu**

To activate the OSD (On Screen Display) Menu, use the hotkey sequence:

Activate OSD = ScrLk + ScrLk + Space Bar  
Deactivate OSD = ESC (Escape key)



Main OSD Menu

Setup Menu

**Main menu**

To select computer: use Up/Down Arrow key to navigate, PgUp/PgDn to scroll page. Hit Enter to select.

Edit computer name: just hit Insert to edit and Enter to confirm change.

**F1 : Next page** - rotate through Main page / Setup page / Status page

**F10 : Logout** - lock your keyboard and mouse for security. User name and password will be needed to log in.

**Setup Menu**

**Autologout** : specify time for auto logout (00-99 min)

**OSD timeout** : specify duration for OSD menu to stay on screen

**Autoscan period** : specify time for autoscan period

**Title bar** : specify the position of the OSD title bar

**Hotkey**: specify the hotkey preceding sequence (SCROLL LOCK, CAPS, ESC, F12 or NUM LOCK)

**Setup Password** : specify the password for access

**Load Default** : load the default settings

**Upgrade Firmware** : upgrade the firmware of the KVM switch

**Firmware Upgrade**

This KVM Switch allows its user to upgrade firmware contents whenever is needed to enhance the compatibility to other devices or its functions and performance. Use the firmware upgrade cable for connection to a host PC via the "Daisy-chain in" port (see previous configuration diagram). For firmware upgrade procedure, please refer to *Firmware Upgrade Operation Guide*.



# Quick Reference Sheet

QUICK REFERENCE SHEET for Prima KVM Switch Operation Commands Hotkeys/ OSD Menu / Front-Panel Buttons				
Command	Hotkeys	OSD control <sup>1</sup>	Front-panel	Description
Select Computer	<b>ScrLk</b> + <b>ScrLk</b> + <b>[a]</b> + <b>[b]</b> + <b>[y]</b> + <b>[z]</b> (ab = bank no. ; xy = channel no.) <sup>2</sup>	Cursor keys to navigate Enter to select	Press corresponding button yz on Switch ab for channel yz on bank ab.	Select the active bank (switch) and channel
Next lower channel	<b>ScrLk</b> + <b>ScrLk</b> + <b>↑</b> (arrow up)	Cursor keys to navigate Enter to select	Press corresponding button	Select the next lower connected channel within the current active bank
Next higher channel	<b>ScrLk</b> + <b>ScrLk</b> + <b>↓</b> (arrow down)	Cursor keys to navigate Enter to select	Press corresponding button	Select the next higher connected channel
Next lower bank	<b>ScrLk</b> + <b>ScrLk</b> + <b>PgUp</b>	PgUp (w/ OSD Menu)	Press corresponding button on that switch	Select the next lower bank (switch) when with multiple daisy-chained units
Next higher bank	<b>ScrLk</b> + <b>ScrLk</b> + <b>PgDn</b>	PgDn (w/ OSD Menu)	Press corresponding button on that switch	Select the next higher bank (switch) when with multiple daisy-chained units
Autoscan Beep Sound On/Off	<b>ScrLk</b> + <b>ScrLk</b> + <b>B</b>	--	--	Toggle on/off the beep sound for switching confirmation while autoscanning
Load Factory Default	--	Main Menu / Setup / Load Default	--	Restore the EEPROM settings to the factory default
Change Computer Name	--	Cursor keys to navigate Enter (Ins) to select/edit	--	Change the computer name [max. length = 8 alphanumeric characters]
Reset / Initialize KVM (whole daisy-chain)	<b>ScrLk</b> + <b>ScrLk</b> + <b>End</b>	--	--	Reset the KVM Switch / initialize the daisy-chain setup
Show OSD Menu	<b>ScrLk</b> + <b>ScrLk</b> + <b>[Space Bar]</b>	--	--	Activate the OSD Menu on the console screen
Autoscan	<b>ScrLk</b> + <b>ScrLk</b> + <b>S</b>	--	--	Autoscan through every connected channel for quick screen browsing of each channel.
Stop Autoscan	Any key	--	Press any push button	Terminate Autoscan activity
Autoscan Period [5 ~ 10 ~ 95 seconds]	--	Main Menu / Setup / Autoscan period	--	Specify delay time within a range of 5 ~ 99 seconds [default = 10 sec]
Auto Logout Timeout Enable/Disable [0 ~ 99 min]	--	Main Menu / Setup / Auto Logout	--	Specify the time out for auto logout -- screen /keyboard/mouse locked after timeout period for security. (default = 0 = Disable)
OSD Menu Timeout [0 ~ 60 ~ 95 seconds]	--	Main Menu / Setup / OSD Timeout	--	Specify the timeout for OSD menu [default = 60 seconds; 0 = disable]
OSD Title Bar On/Off [ON/OFF]	<b>ScrLk</b> + <b>ScrLk</b> + <b>T</b>	--	--	Enable/disable the OSD Title Bar [default = ON]
OSD Title Bar Position [Left/Right]	--	Main Menu / Setup / Title Bar	--	Select the OSD title bar position on your screen
Setup Password <sup>3</sup> [Disable/Enable]	--	Main Menu / Setup / Setup Password	--	Enable/disable password protection [default == Disable; password length <= 8 characters]

Notes:

- OSD Menu control is only available when the OSD menu is activated on the screen. To activate the OSD menu, use the hotkey sequence **ScrLk** + **ScrLk** + **[Space Bar]**. For detailed OSD operation reference, please refer to the *User Guide*. When OSD Menu is active, the mouse will be locked until the OSD Menu is off. To reset OSD menu to default, just use a pointed needle to press the recessed opening (without marking) just beside the DC jack on the back panel for several seconds.
- Note that a, b, y and z each denotes a number key. (ab) = 01 ~ 16 ; (yz) = 01 ~ 08. For example, ScrLk + ScrLk + 03 + 06 is for bank 3 port 6. When using a single KVM Switch configuration, the default bank no. is 01, therefore hit ScrLk + ScrLk + 01 + 12 for port 12 for a single KVM Switch configuration.
- The password is up to 8-character length. You should remember the password since it is required for access to your KVM switch once you enable the password protection for your KVM switch. However, if you forget the password and thus are blocked from KVM access, you should contact your local dealer for tech support.