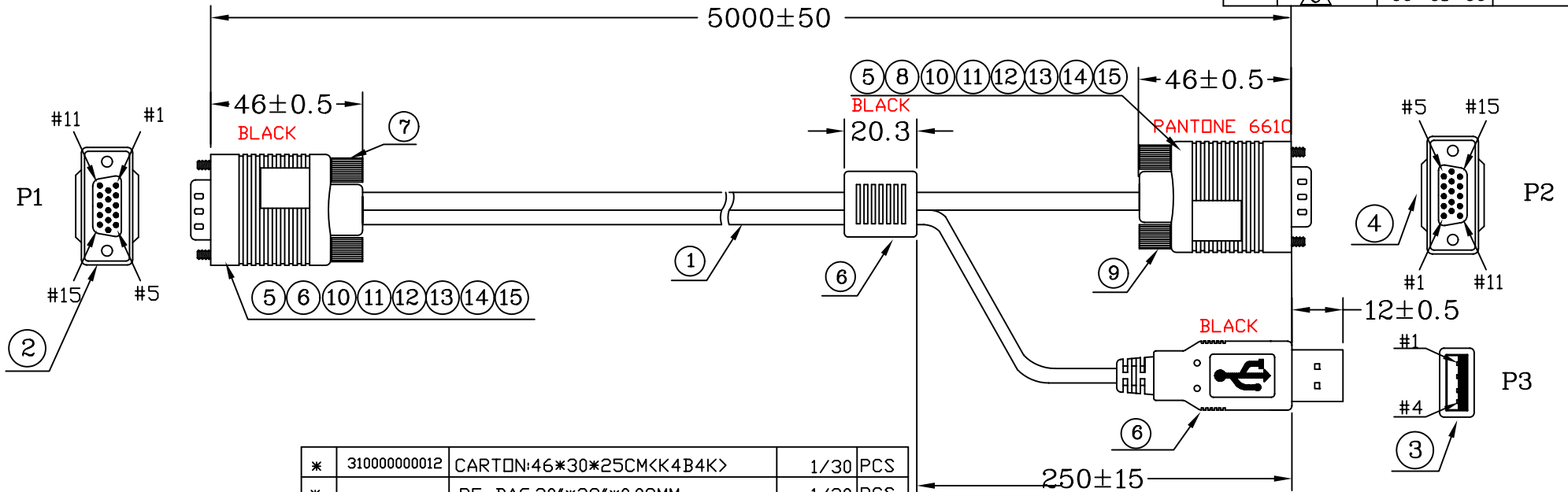


DESCRIPTION CONTROL			
REV	DESC	DATE	ECN NO.
B	Δ	07-10-10	N20710216
C	Δ	09-01-09	GX-N20901009



*	31000000012	CARTON:46*30*25CM<K4B4K>	1/30	PCS
*		PE BAG:30*28*0.08MM	1/30	PCS
*		PE BAG:8*12*0.06MM	1	PCS
15		SOL-WIRE-FULL-TIN-1.2	2.0	G
14		FOIL-CU-31MM	55*2	MM
13		HI TEAMP TAPE:W:24MM	70*2	MM
12		TUBE-HT-Ø3.0MM	8*6	MM
11		TUBE-HT-Ø1.0MM	12*6	MM
10		JUMP WIRE-26-1007	(2*38*15) *5	MM
9	24001020097	SRW-Q39.6/PANTONE 661C	2	PCS
8	120010000284	PVC-PANTONE 661C/50P	20	G
7	240010200051	SRW-Q39.6/BLACK/Z2	2	PCS
6	120010000031	PVC-BLACK/50P	33	G
5	370	PE-5321	10.3	G
4	110021115001	CDS-H15P/(BU)	1	PCS
3	110081304001	USB-A-P/L<WH>	1	PCS
2	110021015001	CDS-H15P/(BK)	1	PCS
1	1405111100001	<(1C+DAM)*3C+4C+ADB)*1F+ <1P+2C+ADB>*1F,BK10,OD:5.5*4.5 <32/30/28/26>,U20513/U2725	5.0	M
NO	PART NO.	DESCRIPTION	QTY	NUIT

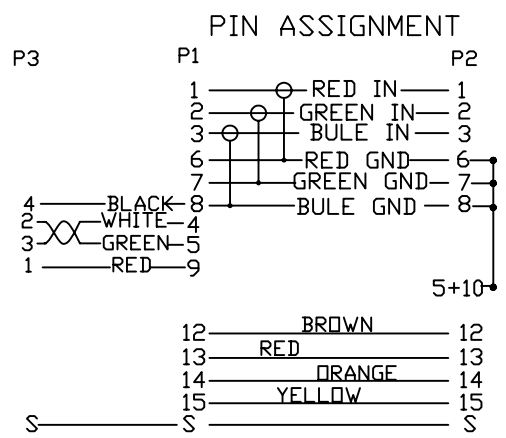
NOTE:
 1. REF: USB00000001042
 2. ONE PCS/BAG
 3. COPPER FOIL CU 360° SOLDER.
 4. 有打樣.

RoHS COMPLIANT

INNER MOLDING	IDB15106			A'HD15101
OUTER MOLDING	A'HD1598	USB A-215	SR049	A'HD15110

UNICLASS UNICLASS TECHNOLOGY CO., LTD

	ITEM: USB00000001215	REV: C
	DRAW, BY: ZHONG	SCALE: NONE
CHECK, BY: JOHN	CUSTOMER: C334	PAGE: 1/1
APP, BY:	CUSTOMER P/N: 15-2043-5M	



ALL DIMENSIONS IN mm