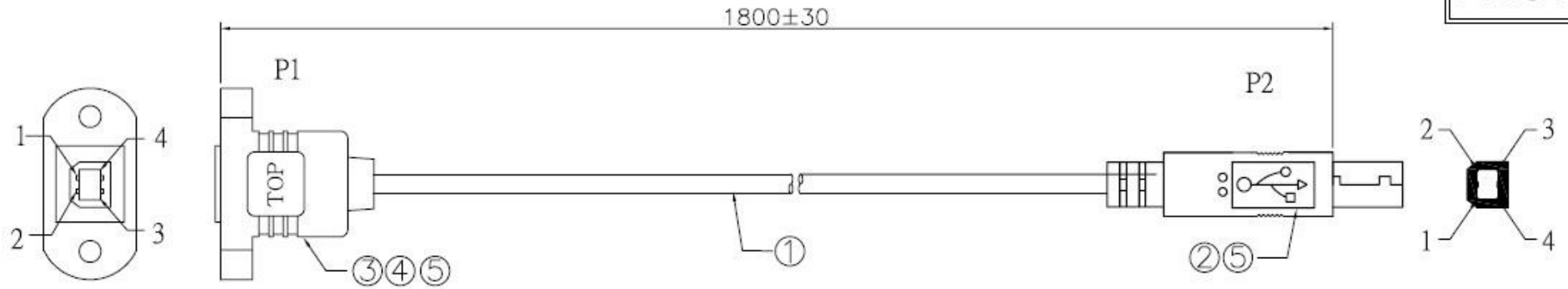
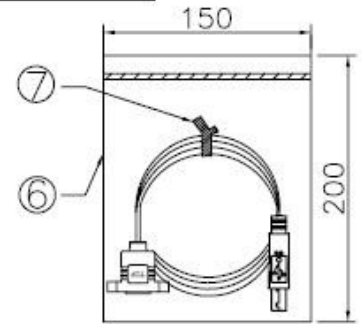


Rev	Modification Content	Date	Validate
A	the First Edition	2007-10-28	Cindy

**ROHS**

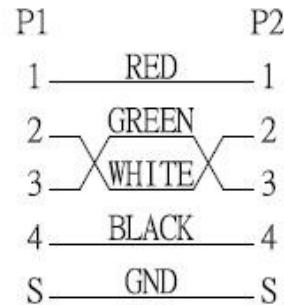


**Packing:**



**US0x**

**Pin Assignment:**



7	Tie	BEIGE TIE	1 pcs
6	PE Bag	150*200*0.05	1 pcs
5	Molding	45P PVC BEIGE	g
4	Molding	PE	g
3	Connector	USBBF 白膠芯	1 pcs
2	Connector	USBBM 三件式,白膠芯	1 pcs
1	Cable	UL2725 (28AWG*1P+24AWG*2C)TC+A+B B=32鍍錫銅包鋼 OD4.5 JACKET:BEIGE	1 pcs
NO.	P/N	DESCRIPTION	QTY

P/N	USBBF/BM 1.8M		
Item	AUBB41B420010180		
Drawn By	Cindy	Customer NO.	NO N
Audited By		Unit : mm	
Date	2007-10-28	Rev. : 1.00	ME