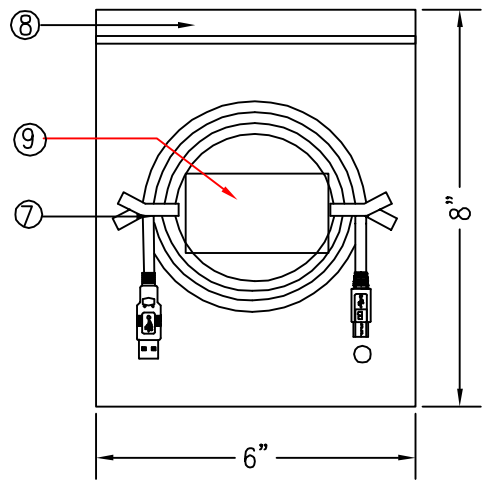
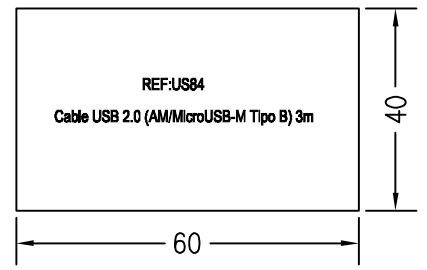
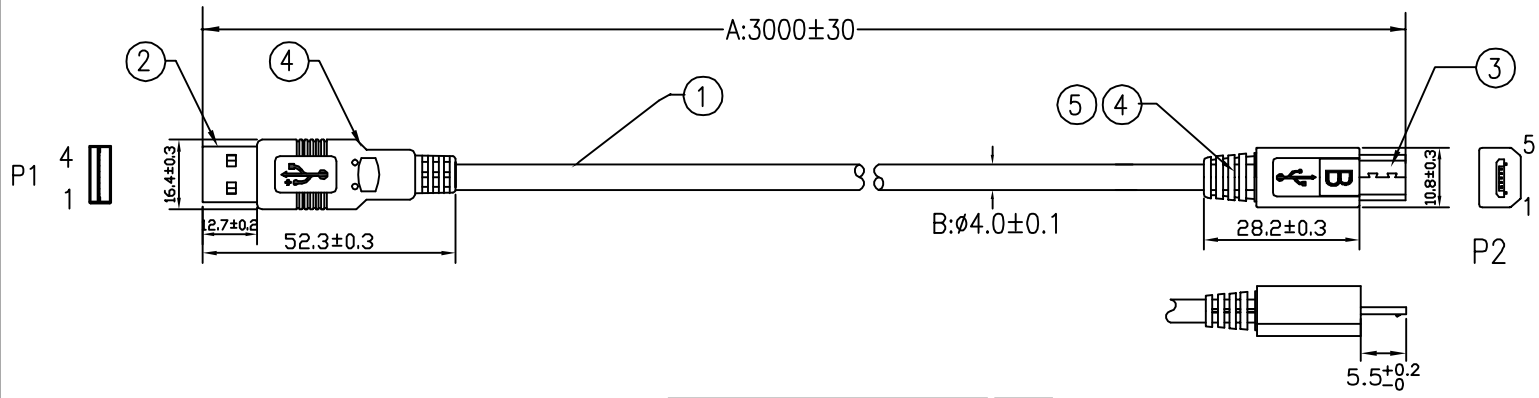


<b>WEIGHT</b>	<b>CUSTOMER NO:</b>	<b>REMARK</b>
84g-K1	US84	Cablematic



**NO USB B PLUG**

**PINOUT:**

P1		P2
1	RED	1
2		2 WHITE
3		3 GREEN
4	BLACK	5
SHELL	DRAIN+BRAID	SHELL

- NOTE:**
- 1) P1 DIE NO: OU04004  
P2 DIE NO: OU04067
  - 2) PRIMARY DIM:A
  - 3) **RoHS Compliant**
  - 4) **TOPE B/L LABEL**

5	INNER JACKET:PE (RoHS)
4	OUTER JACKET PVC 45Pa BLACK(1101) (RoHS)
3	MicroUSB B PLUG BLACK TERMINAL PLATED GOLD 30U" SOLDER TYPE (RoHS)
2	USB A TYPE 4P MALE WHITE TERMINAL PLATED GOLD 30U" SOLDER TYPE (RoHS)
1	Micro USB2.0 UL2725 (28#1P+AL)+28#2C+A+D+B(65%) OD:4.0mm BLACK(1101) 3000MM (RoHS)

A	FIRST EDITION	03/08/10
REV. ECR	DESCRIPTION	C.N. DATE
<small>THESE DRAWINGS AND SPECIFICATIONS ARE THE PROPERTY OF WIRETEK COMPUTER LIMITED AND SHALL NOT BE REPRODUCED COPIED OR USED IN ANY MANNER WITHOUT THE PRIOR WRITTEN CONSENT OF WIRETEK COMPUTER LIMITED.</small>		
<small>UNLESS OTHERWISE SPECIFIED: DIMENSIONS ARE IN MILLIMETERS ANGULAR TOLERANCE: ±1.0°</small>		
TITLE		MicroUSB B/M TO USB A/ M
DIMENSIONS	TOLERANCE	CHKD. CONF.
0.00 TO 30.00mm	±0.10mm	
30.01 TO 80.00mm	±0.13mm	DR. <i>CFAN</i> APPD.
80.01 TO 150.00mm	±0.15mm	
150.01mm	±0.20mm	PART NO. <b>2112-1203</b>
MATERIAL		SCALE SHEET <b>1/1</b> UNIT <b>MM</b> SIZE <b>A4</b> REV. <b>A</b>
FINISH		