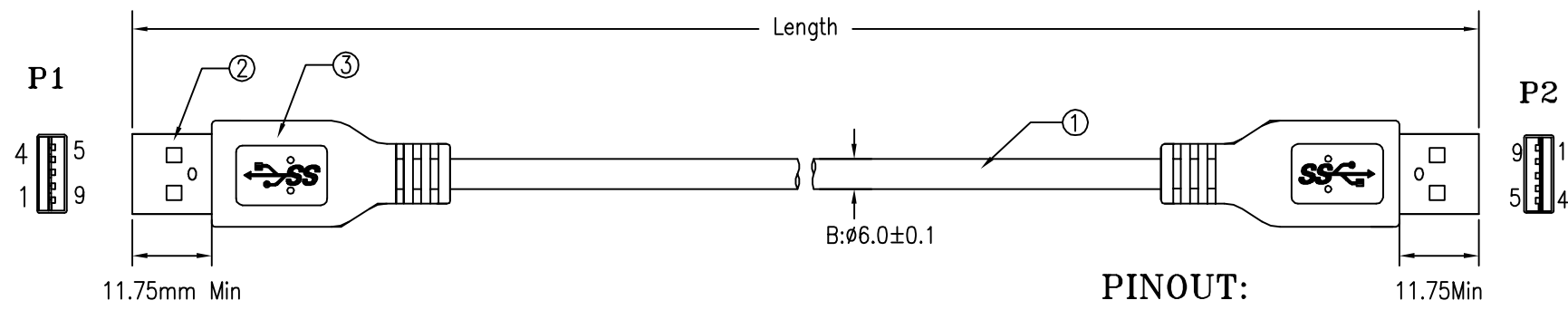
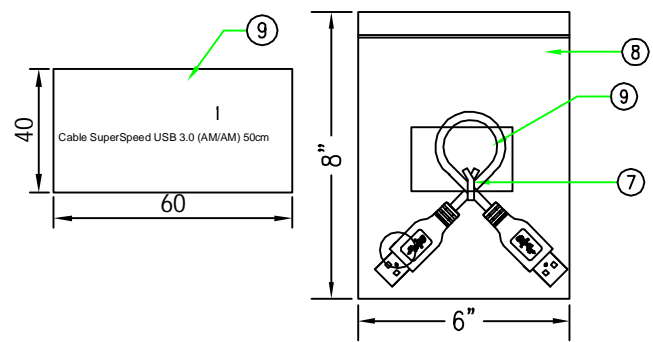


|        |              |            |
|--------|--------------|------------|
| WEIGHT | CUSTOMER NO: | REMARK     |
| 28g-K1 |              | Cablematic |



PINOUT:

| P1    | P2 |        |
|-------|----|--------|
| 1     | 1  | RED    |
| 2     | 2  | WHITE  |
| 3     | 3  | GREEN  |
| 4     | 4  | BLACK  |
| 5     | 8  | YELLOW |
| 6     | 9  | BLUE   |
| 7     | 7  | DRAIN  |
| 8     | 5  | DRANGE |
| 9     | 6  | PURPLE |
| SHELL |    | BRID   |



| ITEM NO. | LENGTH    | PE BAG       | Q'TY   |
|----------|-----------|--------------|--------|
| UT31     | 500±30MM  | 6"*8"*0.06MM | 200PCS |
| UT32     | 1000±30MM | 6"*8"*0.06MM | 150PCS |
| UT33     | 2000±30MM | 6"*8"*0.06MM | 80PCS  |

- NOTES:
- 1) PRIMARY DIM:A,B,C.
  - 2) RoHS Compliant.
  - 3) DIE NO P1,P2:OU04076.
  - 4) 1PCS/PE BAG+LABEL

|   |   |
|---|---|
| 3 | OUTER JACKET PVC 45Pa BLACK(1101) (RoHS)  |
| 2 | USB3.0 A/M 9P BLUE(1701) SOLDER TYPE TERMINAL PLATED GOLD RoHS                      |
| 1 | USB3.0 UL20276[(28#+A+D)*2P+28#1P+24#2C]+A+B(64BAM)+D OD:6.0 BLACK(1101) 500MM RoHS |

|   |               |               |                                  |
|---|---------------|---------------|----------------------------------|
| A   | FIRST EDITION | FQQ           | 2012/06/02                       |
| REV.  | DESCRIPTION   | C.N.          | DATE                             |
| <p>THESE DRAWINGS AND SPECIFICATIONS ARE THE PROPERTY OF WIRETEK COMPUTER LIMITED AND SHALL NOT BE REPRODUCED COPIED OR USED IN ANY MANNER WITHOUT THE PRIOR WRITTEN CONSENT OF WIRETEK COMPUTER LIMITED.</p> <p>UNLESS OTHERWISE SPECIFIED: DIMENSIONS ARE IN MILLIMETERS ANGULAR TOLERANCE: ±1.0°</p> |               |               |                                  |
| TITLE   |               | USB 3.0 CABLE |                                  |
| DIMENSIONS  | TOLERANCE     | CHKD.         | CONF.                            |
| 0.00 TO 30.00mm   | ±0.10mm       |               |                                  |
| 30.01 TO 80.00mm  | ±0.13mm       | DR.           | APPD.                            |
| 80.01 TO 150.00mm   | ±0.15mm       | FQQ           |                                  |
| 150.01mm  | ±0.20mm       | PART NO.      | UT3X                             |
| MATERIAL  |               | SCALE         | SHEET 1/1 UNIT MM SIZE A4 REV. A |
| FINISH  |               |               |                                  |