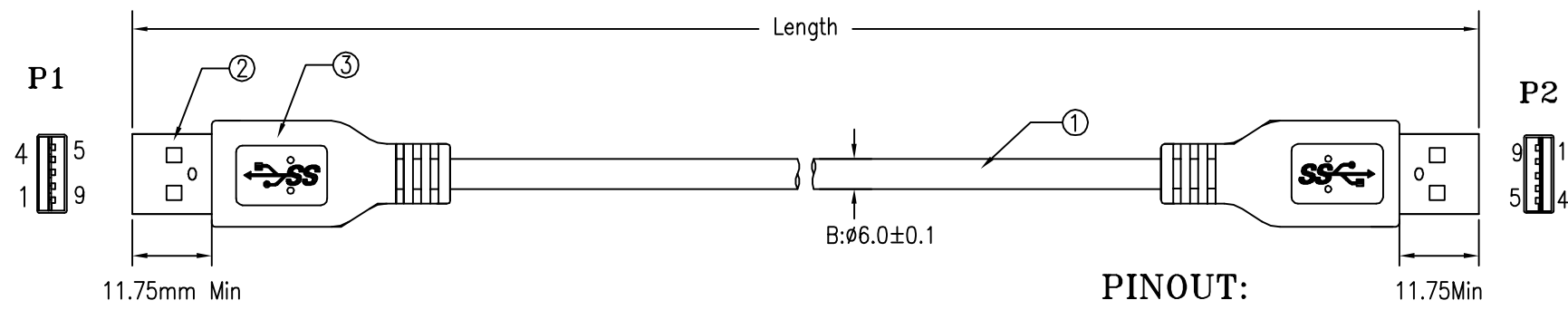
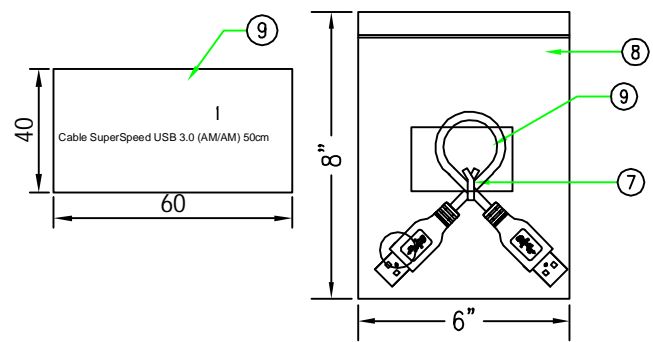


WEIGHT	CUSTOMER NO:	REMARK
28g-K1		Cablematic



PINOUT:

P1	P2	
1	1	RED
2	2	WHITE
3	3	GREEN
4	4	BLACK
5	8	YELLOW
6	9	BLUE
7	7	DRAIN
8	5	DRANGE
9	6	PURPLE
SHELL		BRID



ITEM NO.	LENGTH	PE BAG	Q'TY
UT31	500±30MM	6"*8"*0.06MM	200PCS
UT32	1000±30MM	6"*8"*0.06MM	150PCS
UT33	2000±30MM	6"*8"*0.06MM	80PCS

- NOTES:
- 1) PRIMARY DIM:A,B,C.
 - 2) RoHS Compliant.
 - 3) DIE NO P1,P2:OU04076.
 - 4) 1PCS/PE BAG+LABEL

3	OUTER JACKET PVC 45Pa BLACK(1101) (RoHS)
2	USB3.0 A/M 9P BLUE(1701) SOLDER TYPE TERMINAL PLATED GOLD RoHS
1	USB3.0 UL20276[(28#+A+D)*2P+28#1P+24#2C]+A+B(64BAM)+D OD:6.0 BLACK(1101) 500MM RoHS

A	FIRST EDITION	FQQ	2012/06/02
REV.	DESCRIPTION	C.N.	DATE
<p>THESE DRAWINGS AND SPECIFICATIONS ARE THE PROPERTY OF WIRETEK COMPUTER LIMITED AND SHALL NOT BE REPRODUCED COPIED OR USED IN ANY MANNER WITHOUT THE PRIOR WRITTEN CONSENT OF WIRETEK COMPUTER LIMITED.</p> <p>UNLESS OTHERWISE SPECIFIED: DIMENSIONS ARE IN MILLIMETERS ANGULAR TOLERANCE: ±1.0°</p>			
TITLE		USB 3.0 CABLE	
DIMENSIONS	TOLERANCE	CHKD.	CONF.
0.00 TO 30.00mm	±0.10mm		
30.01 TO 80.00mm	±0.13mm	DR.	APPD.
80.01 TO 150.00mm	±0.15mm	FQQ	
150.01mm	±0.20mm	PART NO.	UT3X
MATERIAL		SCALE	SHEET 1/1 UNIT MM SIZE A4 REV. A
FINISH			