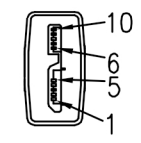
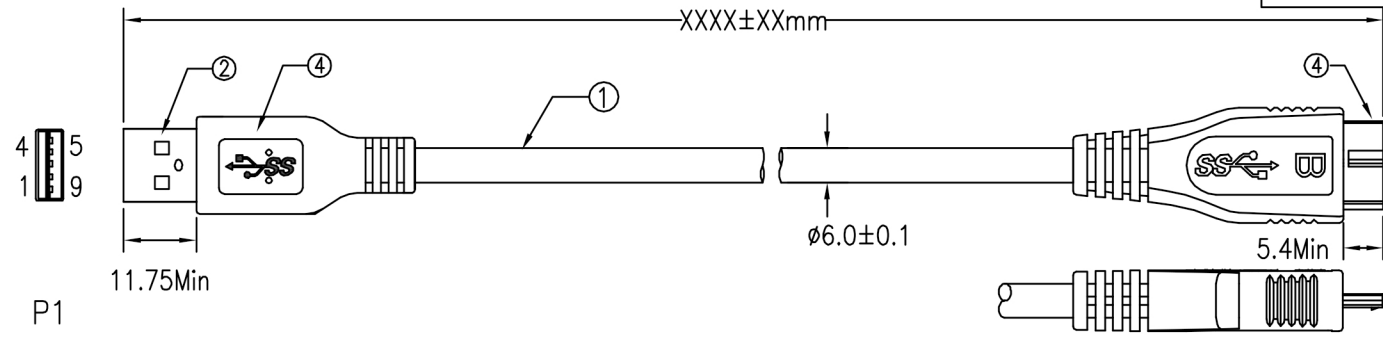


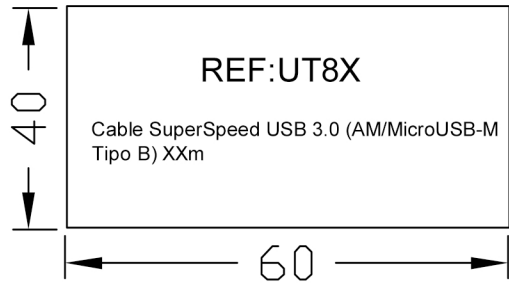
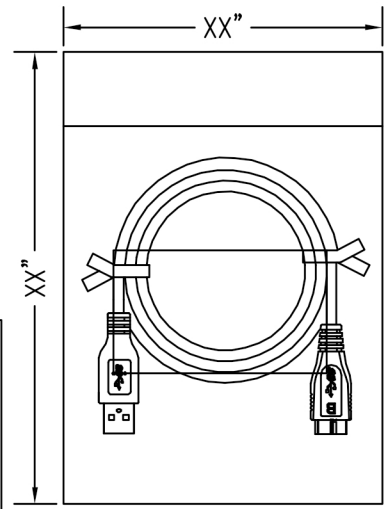
WEIGHT	CUSTOMER NO.:	REMARK
	XXXXX	CABLEMATIC



PINOUT:

P1	P2
1	1 RED
2	2 WHITE
3	3 GREEN
4	5 BLACK
5	6 ORANGE
6	7 PURPLE
7	8 DRAIN
7	8 DRAIN
8	9 BLUE
9	10 YELLOW
SHELL	BRAID
	SHELL

Customer NO.:	LENGTH	LABEL	PE BAG	Q'TY
UT84	3000mm±30mm	40*60MM	8"*10"*0.08MM	60
UT85	5000mm±50mm	40*60MM	8"*10"*0.08MM	40



NOTES:

- 1) PRIMARY DIM:
- 2) RoHS Compliant.
- 3) DIE NO P1:OU04076. DIE NO P2:OU04082
- 4) 1PCS/PE BAG+LABEL

4	OUTER JACKET PVC 45Pa Black RoHS
3	USB3.0 Micro B/M 9P Black SOLDER TERMINAL PLATED GOLD RoHS
2	USB3.0 A/M 9P BLUE SOLDER TYPE TERMINAL PLATED GOLD ROHS
1	USB3.0 (28#*1P+D+A)*2+28#*1P+24*2C+AB OD:6.0 BLACK1101 XXXXMM

A	FIRST EDIITON	15/03/2011
REV. ECR	DESCRIPTION	C.N. DATE
<p>THESE DRAWINGS AND SPECIFICATIONS ARE THE PROPERTY OF WIRETEK COMPUTER LIMITED AND SHALL NOT BE REPRODUCED COPIED OR USED IN ANY MANNER WITHOUT THE PRIOR WRITTEN CONSENT OF WIRETEK COMPUTER LIMITED.</p> <p>UNLESS OTHERWISE SPECIFIED: DIMENSIONS ARE IN MILLIMETERS ANGULAR TOLERANCE: ±1.0'</p>		
<p>BUY ON www.cablematic.com</p>		
<p>TITLE: USB 3.0 A/M TO Micro B/M</p>		
DIMENSIONS	TOLERANCE	CHKD. CONF.
0.00 TO 30.00mm	±0.10mm	
30.01 TO 80.00mm	±0.13mm	DR. APPD.
80.01 TO 150.00mm	±0.15mm	
150.01mm	±0.20mm	
MATERIAL	PART NO. 2112-XXXX	UNIT
FINISH	SCALE / SHEET 1 / 1	SIZE A4
	REV. A	