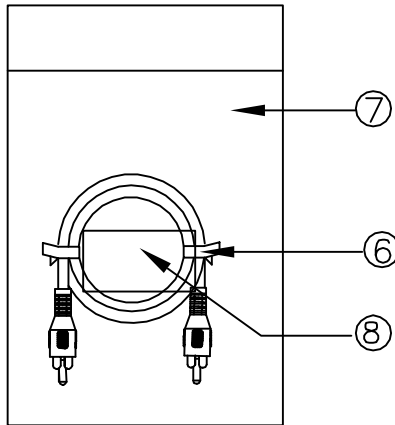
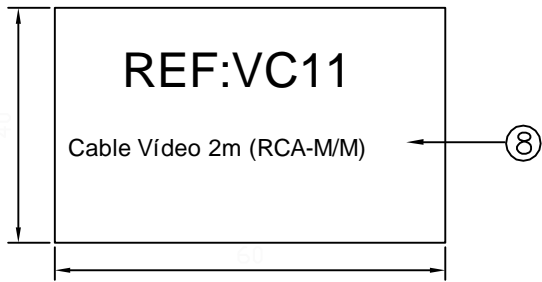
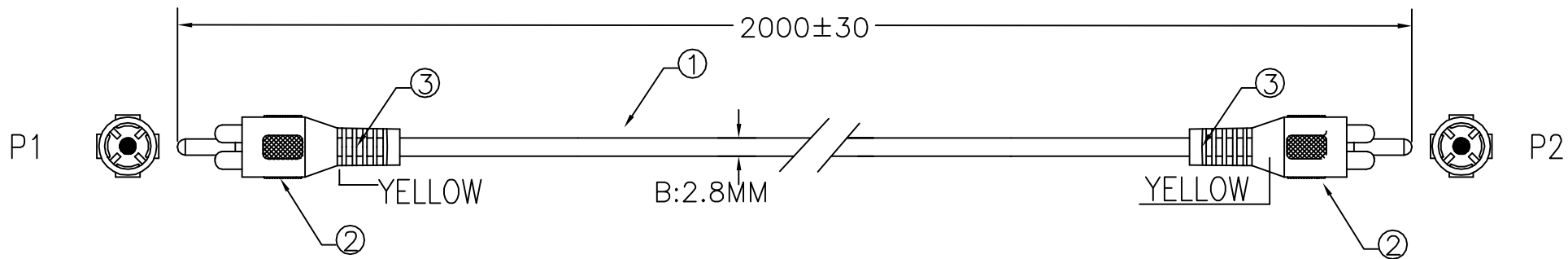
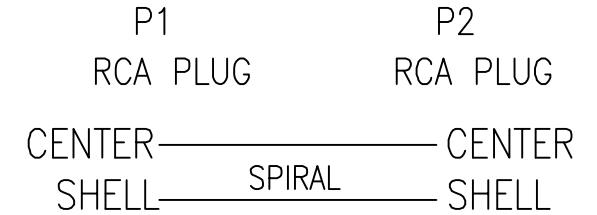


WEIGHT	CUSTOMER NO:	REMARK
35g-K1	VC11	CABLEMATIC



PINOUT DIAGRAM:



NOTES:

- 1) DIE NO: 0R02001
- 2) PRIMARY DIMENSION: A,C,D
- 3) 1PCS/PE BAG+LABEL

3	OUTER JACKET PVC 60Pa YELLOW(1501)ROHS
2	RCA PLUG PLATED NI PLUM BLOSSOM BROWN(ROHS)
1	NON UL 28#2C+S OD2.8 BLACK1101 0.28M(ROHS)

A	FIRST EDITION	WUZAN	21/02/2011
REV.	DESCRIPTION	C.N.	DATE
THESE DRAWINGS AND SPECIFICATIONS ARE THE PROPERTY OF WIRETEK COMPUTER LIMITED AND SHALL NOT BE REPRODUCED COPIED OR USED IN ANY MANNER WITHOUT THE PRIOR WRITTEN CONSENT OF WIRETEK COMPUTER LIMITED.			
UNLESS OTHERWISE SPECIFIED: DIMENSIONS ARE IN MILLIMETERS ANGULAR TOLERANCE: ±1.0°		TITLE	
AUDIO CABLE			
DIMENSIONS	TOLERANCE	CHKD.	CONF.
0.00 TO 30.00mm	±0.10mm		
30.01 TO 80.00mm	±0.13mm	DR.	APPD.
80.01 TO 150.00mm	±0.15mm	WUZAN	
150.01mm	±0.20mm	PART NO.	
MATERIAL		2132-1171	
FINISH		SCALE	SHEET 1/1 UNIT MM SIZE A4 REV. A