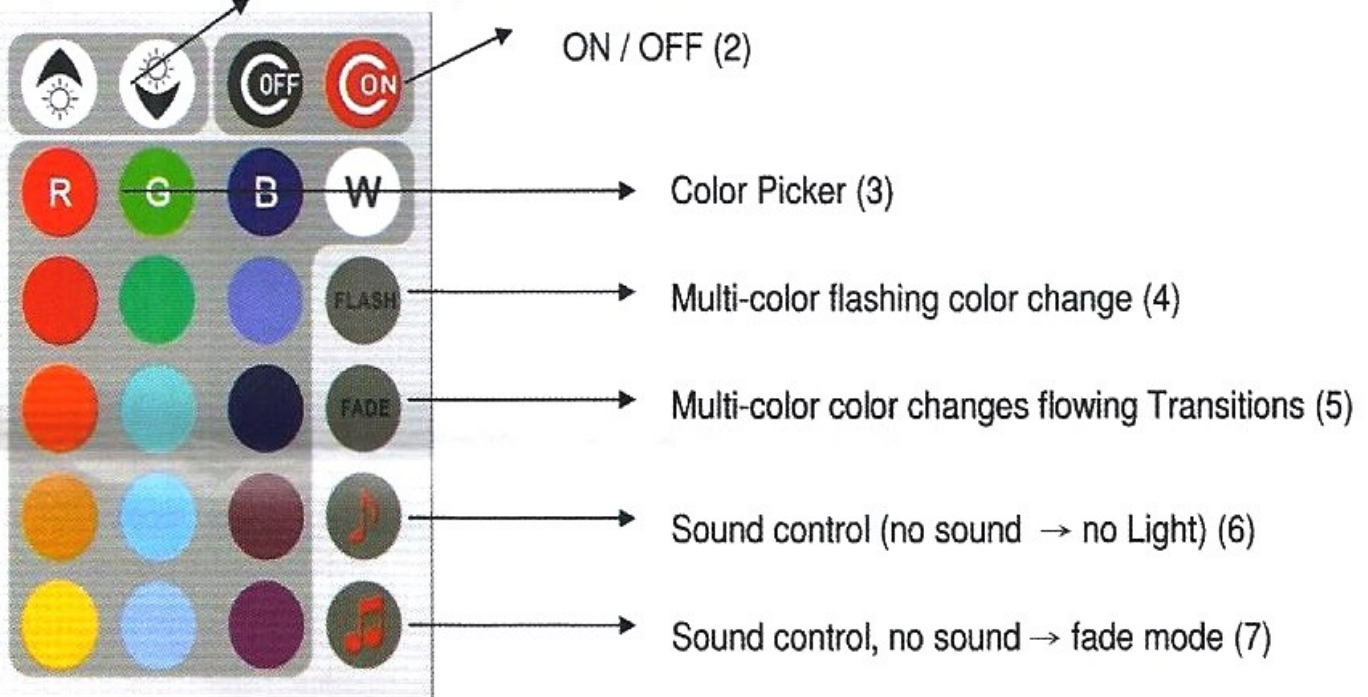


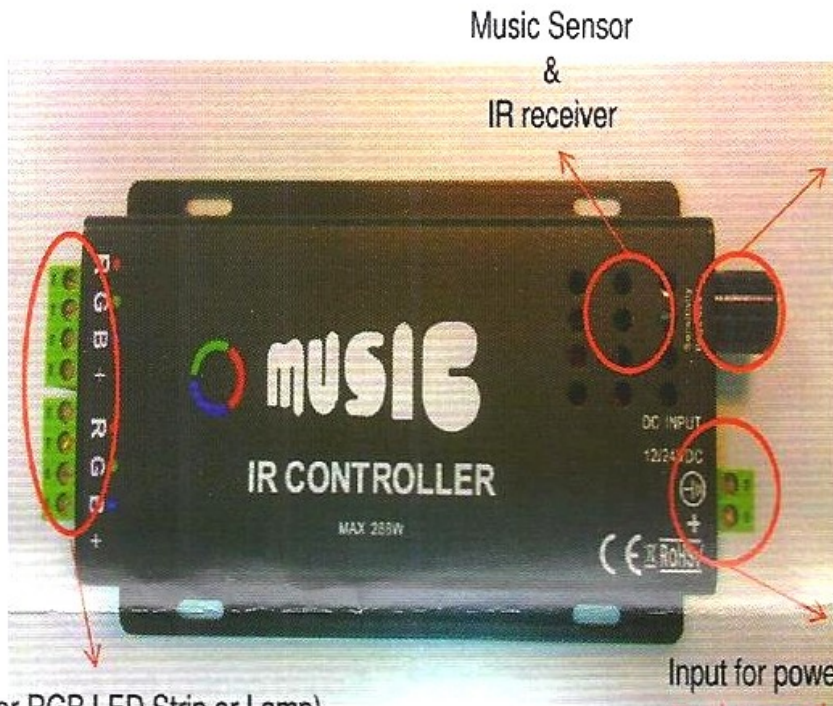
Remote control functions

After turning on power supply or the last setting is saved.

Brightness and speed control (1)



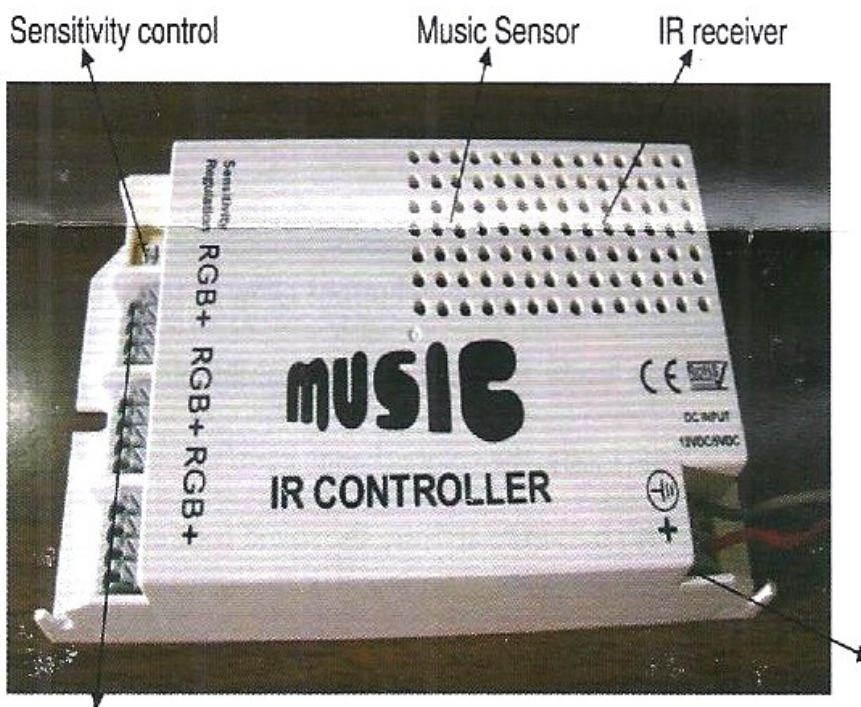
Button	Function
1	These function keys allow you to reduce the brightness of the spotlight/ and increase the Velocity in the Fade- & Flash- Mode reduce/ increase
2	With this button to turn on the device- and turn off
3	With the color selection buttons allow to select the color
4	In flash mode, the colors change continuously in a tough transition.
5	In flash mode, the colors change continuously in a smooth transition.
6	Use this button to activate the sound control. There is no lights, if no sound or the light source is not connected.
7	With this button, the sound control is activated. The light would be changed automatically in the fade mode, if no sound.



2 way-output (for RGB LED Strip or Lamp)

Input for power supply 12/24 VDC (one cable must connect to ground)

BUY ON www.cablematic.com

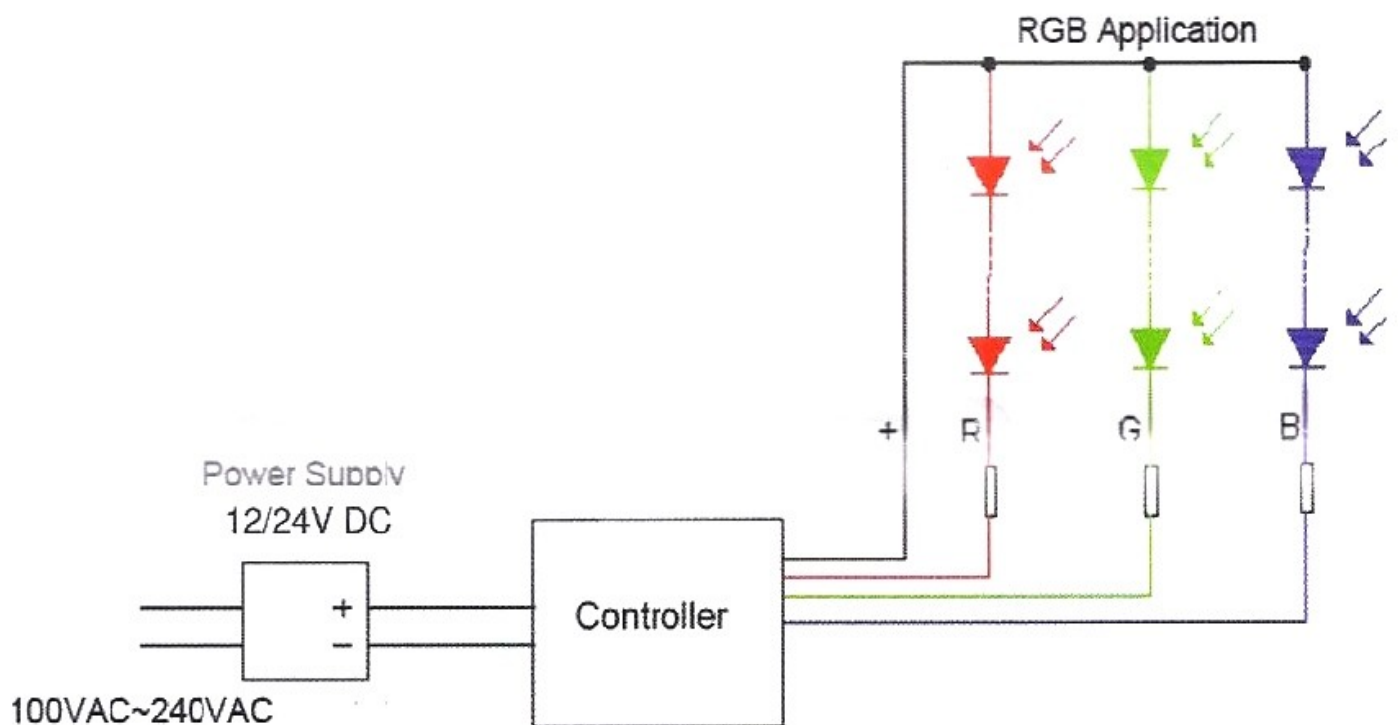


3 way-output (for RGB LED Strip or Lamp)

Input for power supply 12/24 VDC (one cable must connect to ground)

Circuit diagram

Connections: R (red), G (green), B (blue) and +12/24 V DC



Technical data:

- Operating temperature: -20°C to $+45^{\circ}\text{C}$
- Working voltage: 12/24V DC (AC adapter or battery)
- Output: 3 channels (RGB) for MU60; 2 channels (RGB) for MU120
- Control variant: common anode
- Sound Control: $> 70\text{ dB}$
- Output current: max. 6A for MU60; 12A for MU120
- Maximum output power (for 12V Input): 72W for MU60; 144W for MU120
- Maximum output power (for 24V Input): 144W for MU60; 288W for MU120
- Remote control with IR remote control
- For control of RGB LED RGB strips or other products with 12/24V DC operating voltage

Please note that the power supply (AC or battery) is sufficient to the controller.
Rule of thumb: Power consumption of the RGB applications (such as RGB-Strip)
+ 100mA for the controller.

This manual is the part of this product. It contains important information about the operation and handling. Make sure even if the product to third parties Professional secrecy. Always keep the manual for future reference! Use only in closed rooms, not in outdoor. Contact with Moisture, eg. in the bathroom, must be avoided. Use like the description above will damage the product and this may be danger in short circuit, fire, electric shock, etc.. The Product may be changed or modified and the function will not be normal!

The safety note!

Batteries should not be treated as household waste. For more information on disposal be obtained from the city office, waste disposal service or the shop where the Product purchased.

Safety

Damages caused by failure to comply with these instructions will invalidate Warranty! For consequential damages, the manufacturer accepts no liability to property or personal injury caused by improper use or failure of Safety is caused. In such cases, the warranty is voided!

Security and certification (CE) are unauthorized conversion and / or modification the device is prohibited.

The power supply must be used in the technical data specified values correspond.

To make a proper start, please follow the instructions. When setting up, make sure that the product cable is not pinched or sharp edges are not damaged.

Keep the unit away from high temperature, strong vibrations, or moisture.

Commissioning

To ensure proper installation, you must read this Manual with the safety instructions thoroughly and carefully before using!

Maintenance

Periodically review the technical safety of the device, such as damaged cables or of the case.

If it can be assumed that safe operation is no longer possible, then the device out and removed from service and secured against accidental use. Power plug from the socket draw!

It can be assumed that safe operation is no longer possible, if

- the appliance has
- the device no longer works and
- after prolonged storage under unfavorable conditions, or after major

Transport stress

Close them as their first LED-Strip on the controller. To prevent a short circuit, the power adapter must be connected in the last step.

Power supply: 12V/24V DC Power Supply or battery.