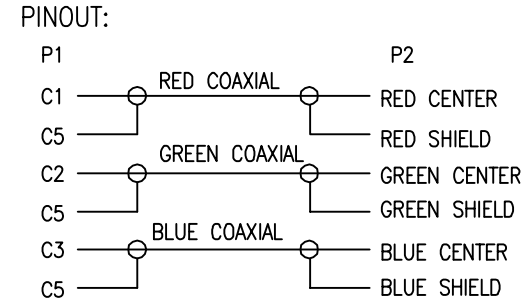
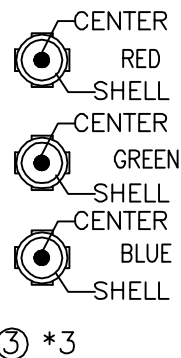
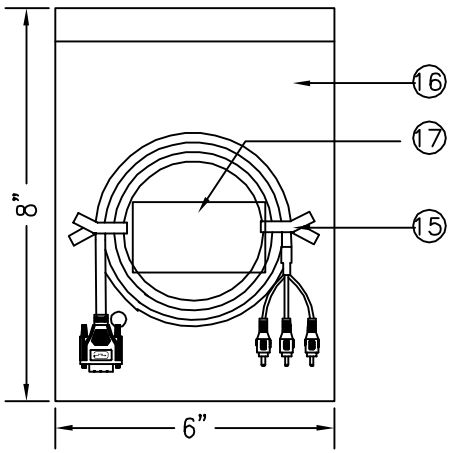
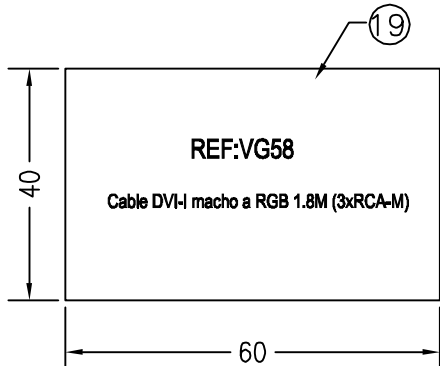
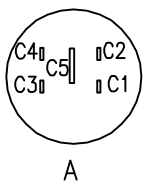
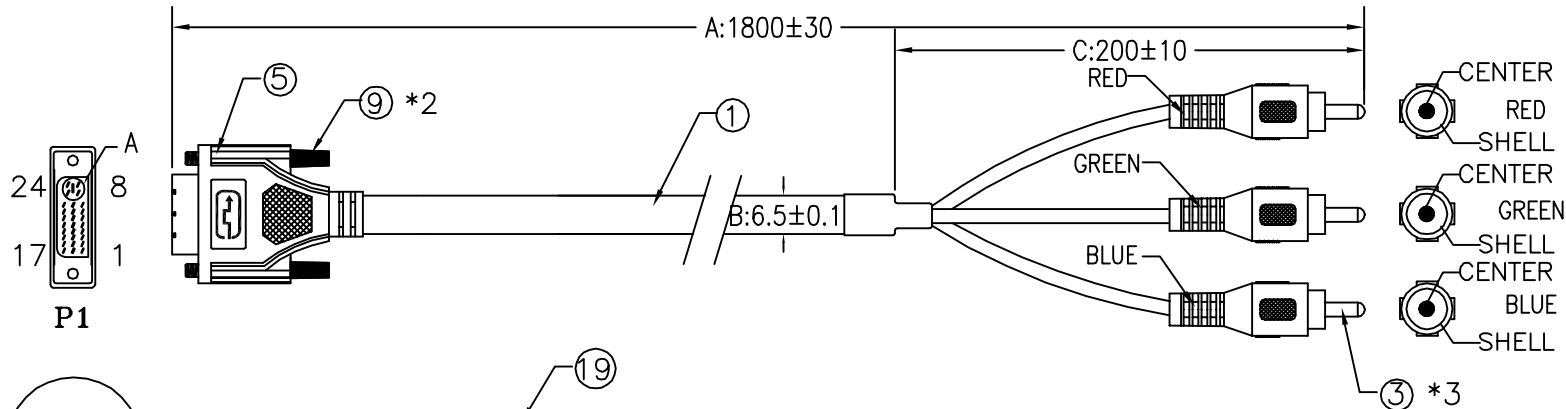


<b>WEIGHT</b>	<b>CUSTOMER NO:</b>	<b>REMARK</b>
163g-K1	VG58	Cablematic



NOTES:  
 1) 1PCS/PE BAG+LABEL  
 2) RoHS Compliant

7	OUTER JACKET PVC 60Pa BLUE(1701)
6	OUTER JACKET PVC 60Pa GREEN(1601)
5	OUTER JACKET PVC 60Pa RED(1301)
4	OUTER JACKET PVC 45Pa BLACK(1101)
3	RCA PLUG BRASS PLATED NI BARREL TYPE 平口 (棕色膠芯)
2	DVI 24+5 PLUG BLACK SOLDER TYPE 端子鍍金 鐵殼鍍鎳 W/O METAL HOOD RoHS
1	UL2919 28#3COAX+過粉 OD:6.5MM BLACK(1101) (coaxial color:red,green,blue ID:2.5mm) 1800MM

A	FIRST EDITION	11/08/10
REV. ECR	DESCRIPTION	C.N. DATE
<small>THESE DRAWINGS AND SPECIFICATIONS ARE THE PROPERTY OF WIRETEK COMPUTER LIMITED AND SHALL NOT BE REPRODUCED COPIED OR USED IN ANY MANNER WITHOUT THE PRIOR WRITTEN CONSENT OF WIRETEK COMPUTER LIMITED.</small>		
<small>UNLESS OTHERWISE SPECIFIED: DIMENSIONS ARE IN MILLIMETERS ANGULAR TOLERANCE: ±1.0°</small>		
TITLE		
DVI CABLE		
DIMENSIONS	TOLERANCE	CHKD. CONF.
0.00 TO 30.00mm	±0.10mm	
30.01 TO 80.00mm	±0.13mm	DR. <i>CHAN</i>
80.01 TO 150.00mm	±0.15mm	APPD.
150.01mm	±0.20mm	
MATERIAL	PART NO. 2162-2803	
FINISH	SCALE /	SHEET 1/1 UNIT MM SIZE A4 REV. A