

Users' Guide

ITS-DTD-35

2.5" Serial ATA HDD /
USB 2.0 HUB /
10-1 Card Reader

Mobile Rack
and
External Enclosure

HIGHLIGHTS

- Super Slim Size
- Easy Installation & User Friendly
- Capabilities Provided by Both Internal & External Links
- High-Quality DATA Storage & Transmission

Installation Guide

- Install the 2.5" Serial ATA HDD into the "Hard drive" tray box

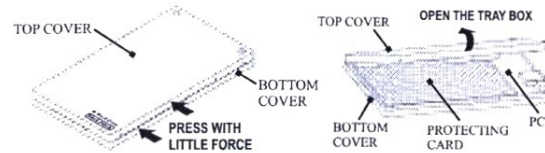


Fig.1
Open the "Hard drive" tray box

Press with little force at the left or right side of the "Hard drive" tray box to open it.

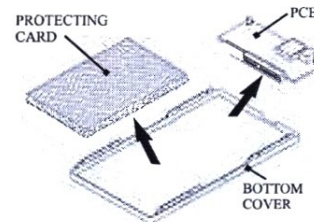


Fig.2
Take out the "Protecting card" and "PCB"

Take the "Protecting card" and "PCB" out from the "Bottom cover".

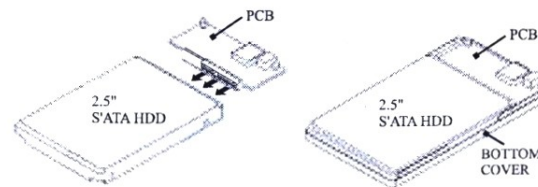


Fig.3
Plug the 2.5" Serial ATA HDD to the "PCB"

Plug the 2.5" Serial ATA HDD to the "PCB", then put the HDD plugged "PCB" set into the "Bottom cover".

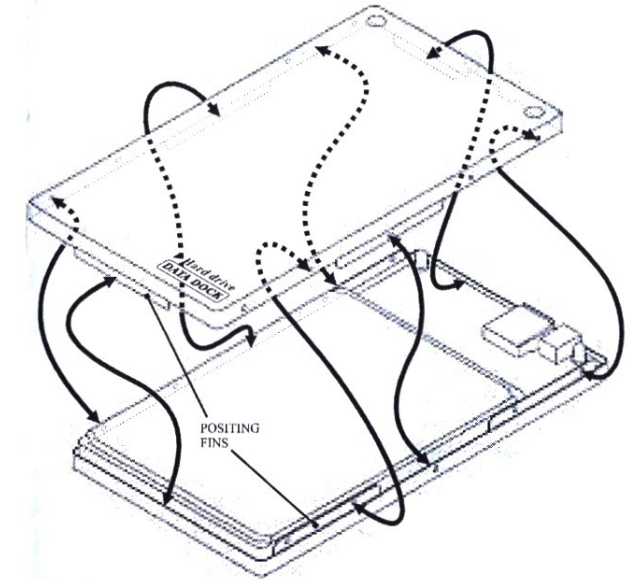


Fig.4
Cover the "Top cover"

Cover the "Top cover" to the HDD and "PCB" installed "Bottom cover" (please insert the 8 pieces of "Positing fins" to the correct positions to complete the correct installation).

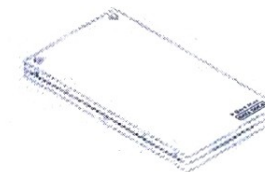
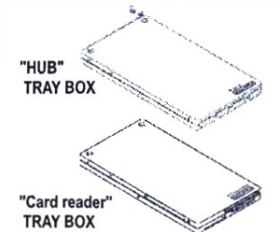


Fig.5
Completed

Congratulations! You have completed the correct HDD installation. Now, you can enjoy the perfect using of this "Hard drive" tray box.

Important note:



The "HUB" and "Card reader" tray boxes had been completely installed by the manufacturer; so that please **NEVER** open the tray boxes to prevent the damage to them.

Installation Guide

► Internal mode:

■ Install the Outer frame into your PC case

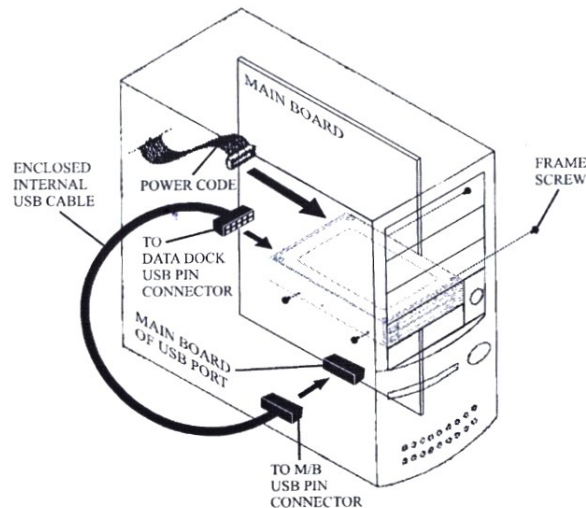


Fig.6
Install the "Outer frame" to your PC

Insert the "Outer frame" to your PC system's 3.5" drive bay and fix it tightly with the enclosed "Frame screw". Then, connect the power supply of mini 4 pin(5V) power code to the "Outer frame" of power connector.

Then, connect the "Outer frame" of USB connector to your PC system's USB connector(on the main board) with the enclosed internal USB cable.

Please connect those cables carefully and correctly to prevent the damage to your PC system and the "Outer frame".

■ Swap the installed "Tray boxes"

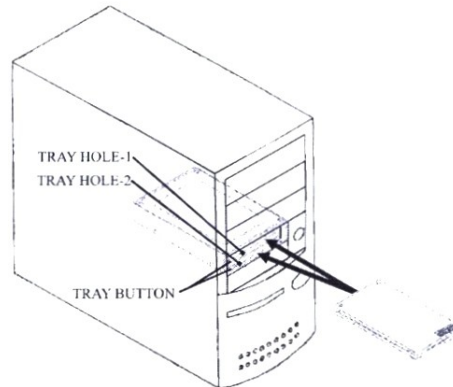


Fig.7
Plug the "Tray box" to the installed "Outer frame"

You can plug the installed "Hard drive tray", the "HUB tray" or the "Card reader tray" into the "Tray hole-1" or "Tray hole-2", and the TRAY 1/ TRAY 2 LED on the "Outer frame" will light on the blue light to indicate the correct connection, and the "Outer frame" of "Tray button" will be pushed out; in the mean time, while the plugged device acting, the TRAY 1 or TRAY 2 LED will light on the red light to indicate the plugged device is acting.

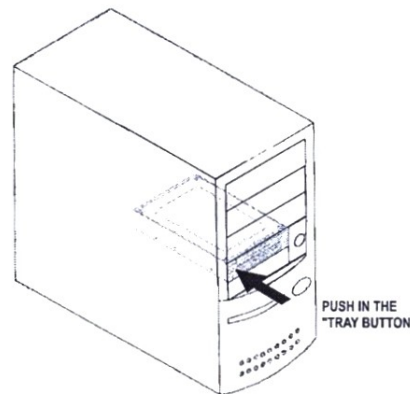



Fig.8
Move out the "Tray box" from the installed "Outer frame"

Please click the  icon in your PC system's "function bar" to stop the actions of the "Tray box", then push in the "Tray button" of the "Outer frame", the "Tray box" will come out automatically.

Installation Guide

► External mode:

■ Use the "Tray box" as the USB 2.0 External Enclosure

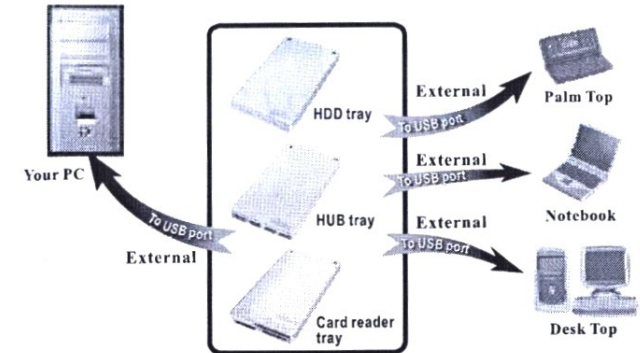


Fig.9
Use the "Tray box" as the USB 2.0 External Enclosure

You can move out the "Hard drive tray", "HUB tray" and the "Card reader tray" from the "Outer frame" and use them under the "External mode" as the USB 2.0 External Enclosures.

You just need to move out the "Tray box" and connect it to the system's external USB port with the enclosed "USB 2.0 external cable". The "Tray box" will work perfectly as an USB 2.0 external enclosure.