

Specifications

- ◎ Product name: MRA258
- ◎ OS: Windows Vista/XP/2000/98SE/ME;Mac9.3 higher
- ◎ Interface: Supports SATA(3.0Gb/s)
- ◎ Fits all 2.5"SATA hard disk
- ◎ Supports hot swap
- ◎ Weight : 282.5g
- ◎ Dimensions : 134(L) X 102(W) X 24(H) mm
- ◎ Operation Temperature : 0° ~ 55°C

Package Content

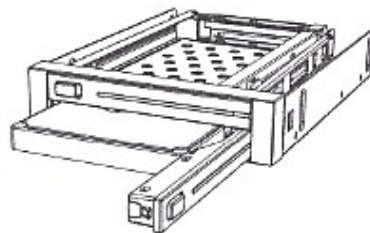
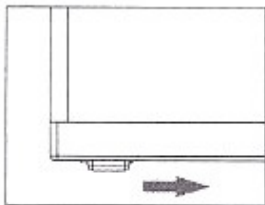
Accessories

Quantity

MRA258	1
SATA 7P Data Cable	2
SATA15P to 4P+4P Power Cable	2
Screw	4
Manual	1

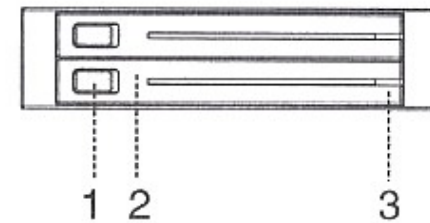
Switching key

Press the two keys from left to right to eject the panels.



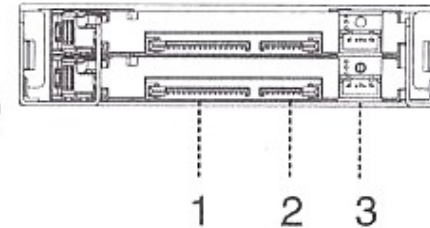
Front panel

1. Switching key
2. HDD front panel
3. HDD LED indicator

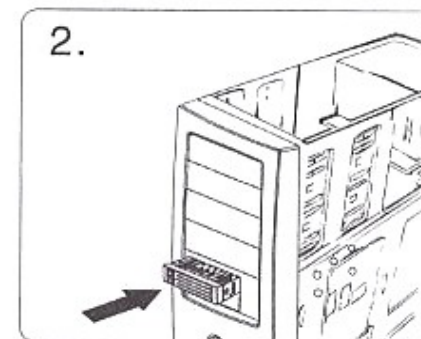
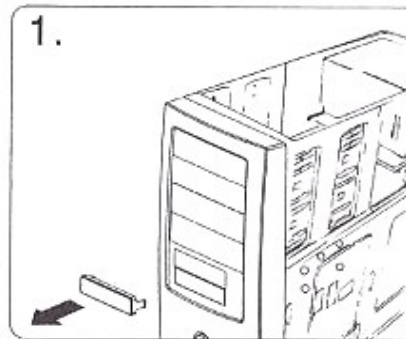


Rear panel

1. SATA power connector(15P)
2. SATA data connector(7P)
3. LED access port(4P)

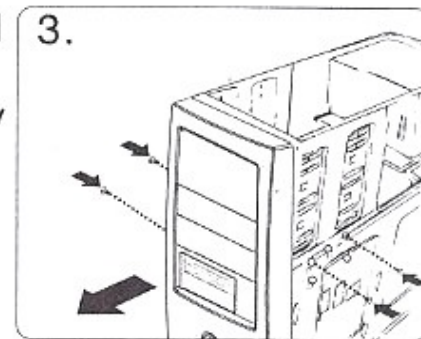


Install MRA258 HDD-ROM



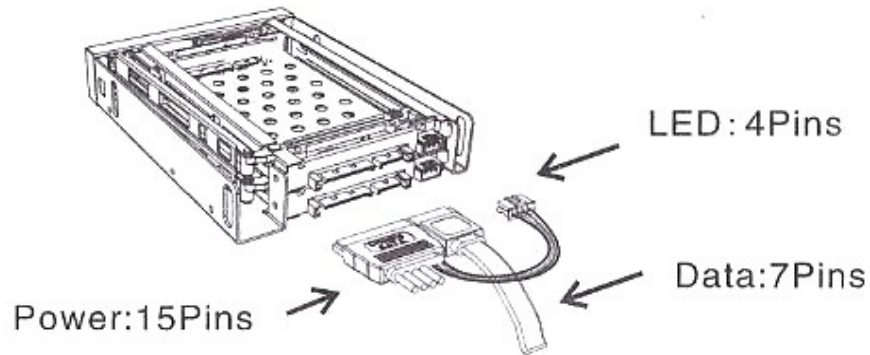
1. Remove the slot cover of an empty 3.5" floppy bay.
2. Carefully insert the MRA258 HDD-ROM into the bay and push it inward until the MRA258 HDD-ROM's screw hole is aligned with the hole of the bay.

3. Secure the MRA258 HDD-ROM is packed with screws, use 2 screws on each side to securely hold the device.



Connect the MRA258 HDD-ROM cable

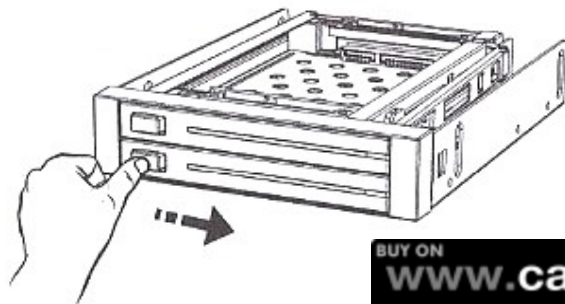
1. Insert the SATA15P conn. into the MRA258's 15P conn., connect the big power 4P connector to the Pc's 4P power plug, and the small 4P LED wire connector to the 4P LED port at the back of MRA258.
2. Insert one end of the SATA7P cable to MRA258, another end(7P) to either the mother board or the SATA RAID card.



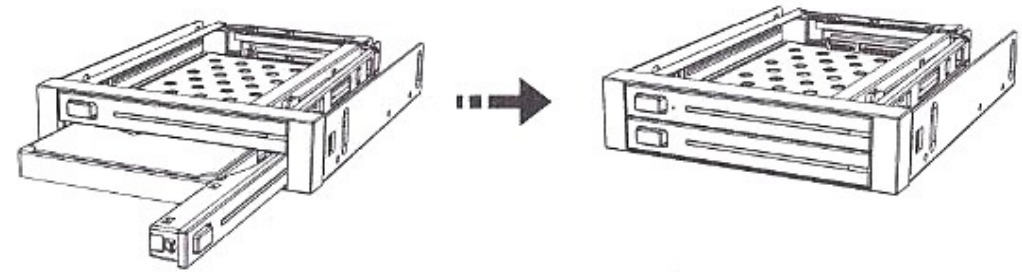
- ! 1. Be sure to connect the 4P LED wire, or the LED indicator will not be lighted up.
- 2. Before connecting the patent 7+15P SATA cable with the PC or with MRA258 HDD-ROM, please check there is no object on or beside the terminals that may effect the mechanical assembly or become a possible source of an electrical short.

Install HDD into MRA258

1. Pull the two keys of HDD ROM gently from left to right to eject the panel.



2. Put the 2.5" HDD into the MRA258 and close the front panel.



- ! 1. After inserting HDD and closing the front door, carefully push the tray until it is seated into position. Excessive force may damage its mechanical parts.
- 2. If the HDD is inserted backward into the tray, forcing the device may damage the MRA258 HDD-ROM.

Eject HDD from the MRA258 HDD-ROM

1. Press the two buttons of HDD ROM gently to eject the panel.
2. Open the front panel to take out the 2.5" hard drive, and close the upper panel firmly.

- ! 1. Do not eject the HDD while it is busy
- 2. Carefully take the HDD out from MRA258 HDD-ROM. The HDD can reach temperatures over 50° C. It will not burn the fingers but should be handled with care.

Statement

The contents of user's manual are protected under copyright law. Any organization or individual can not make copy and save it in the information bank or the retrieval system by any method or form without the authorization of Wingsonic. Wingsonic is not responsible for any loss in the process of using the HDD-ROM.