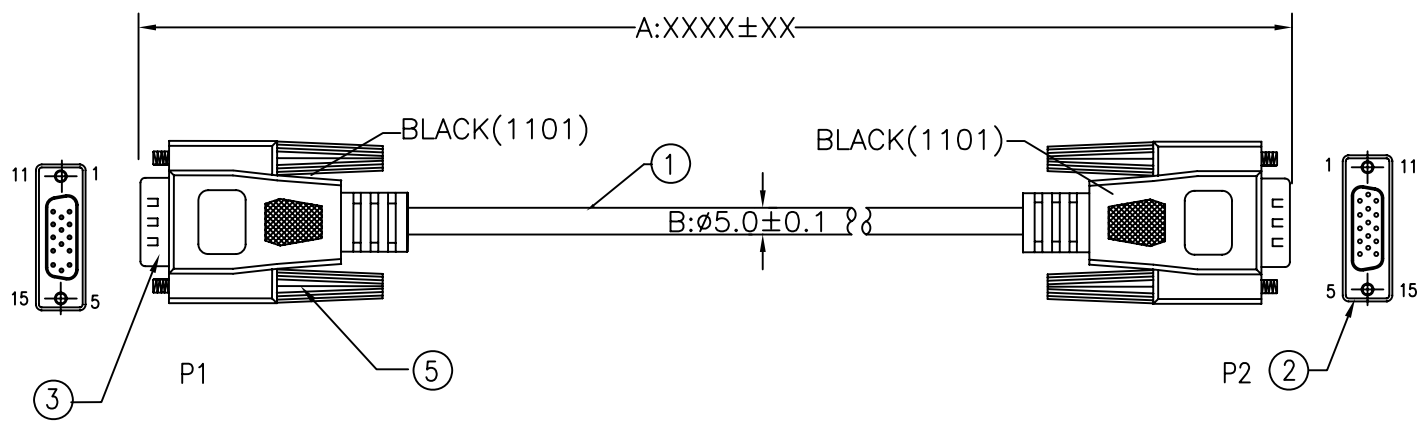


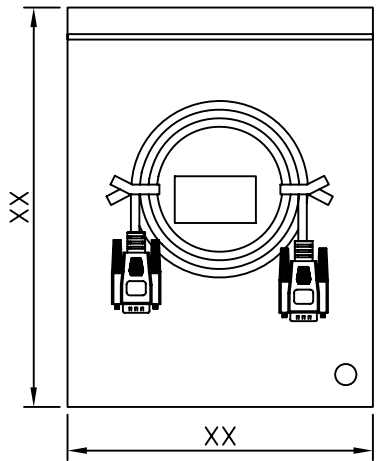
CUSTOMER NO:	REMARK
	Cablematic



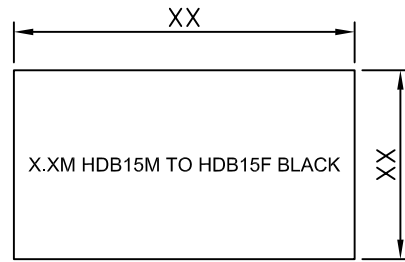
PINOUT DIAGRAM:

P1		P2
HDB15M		HDB15F
1	BLACK	1
2	BROWN	2
3	RED	3
4	ORANGE	4
5	YELLOW	5
6	GREEN	6
7	BLUE	7
8	PURPLE	8
10	GRAY	10
11	WHITE	11
12	PLINK	12
13	LIGHT GREEN	13
14	BLACK/WHITE	14
15	BROWN/WHITE	15
SHELL	DRAIN	SHELL

PART NO.:	CUSTOMER NO.	LENGTH	PE BAG	LABEL SIZE	QTY
W47RBKMF0.5	VS41	500±30MM	6"*8"*0.06MM	40*60MM	120
W47RBKMF01	VS42	1000±30MM	6"*8"*0.06MM	40*60MM	100
W47RBKMF1.8	VS43	1800±30MM	6"*8"*0.06MM	40*60MM	80
W47RBKMF03	VS44	3000±30MM	8"*10"*0.08MM	40*60MM	70
W47RBKMF04	VS45	4000±40MM	8"*10"*0.08MM	40*60MM	60
W47RBKMF05	VS46	5000±50MM	8"*12"*0.08MM	40*60MM	50



ITEM	DESCRIPTION	QTY	UNIT
9	NON UL PVC TUBE OD:2.3MM BLACK ROHS	0.03	M
8	SOLDER WIRE	0.9	g
7	CABLE TIE CLEAR 12CM ROHS	2	PCS
6	SCREW:#4-40UNC E:30.5MM BLACK(1101) FOR IBM(ROHS)	4	PCS
5	INNER JACKET PE ROHS	0.008	Kg
4	OUTER JACKET PVC 45Pa BLACK(1101) ROHS	0.037	Kg
3	HDB15M BLUE SOLDER TYPE TERMINAL GOLD FLASH W/O 9PIN(RoHS)	1	PCS
2	HDB15F BLUE SOLDER TYPE TERMINAL GOLD FLASH (RoHS)	1	PCS
1	NON UL 30AWG 15C+A+D OD:5.0MM BLACK(1101) XXXXMM	1	PCS



A	FIRST EDITION	W47RBKMFXX	10/01/2011
REV. ECR	DESCRIPTION	C.N.	DATE
THESE DRAWINGS AND SPECIFICATIONS ARE THE PROPERTY OF WIRETEK COMPUTER LIMITED AND SHALL NOT BE REPRODUCED COPIED OR USED IN ANY MANNER WITHOUT THE PRIOR WRITTEN CONSENT OF WIRETEK COMPUTER LIMITED.		TITLE	
UNLESS OTHERWISE SPECIFIED: DIMENSIONS ARE IN MILLIMETERS ANGULAR TOLERANCE: ±1.0°		MONITOR CABLE	
DIMENSIONS	TOLERANCE	CHKD.	CONF.
0.00 TO 30.00mm	±0.10mm		
30.01 TO 80.00mm	±0.13mm	APP.	
80.01 TO 150.00mm	±0.15mm		
150.01mm	±0.20mm		
MATERIAL	MATERIAL	PART NO.	
FINISH	FINISH	SCALE / SHEET	1 / 2
		UNIT	MM
		SIZE	A4
		REV.	A