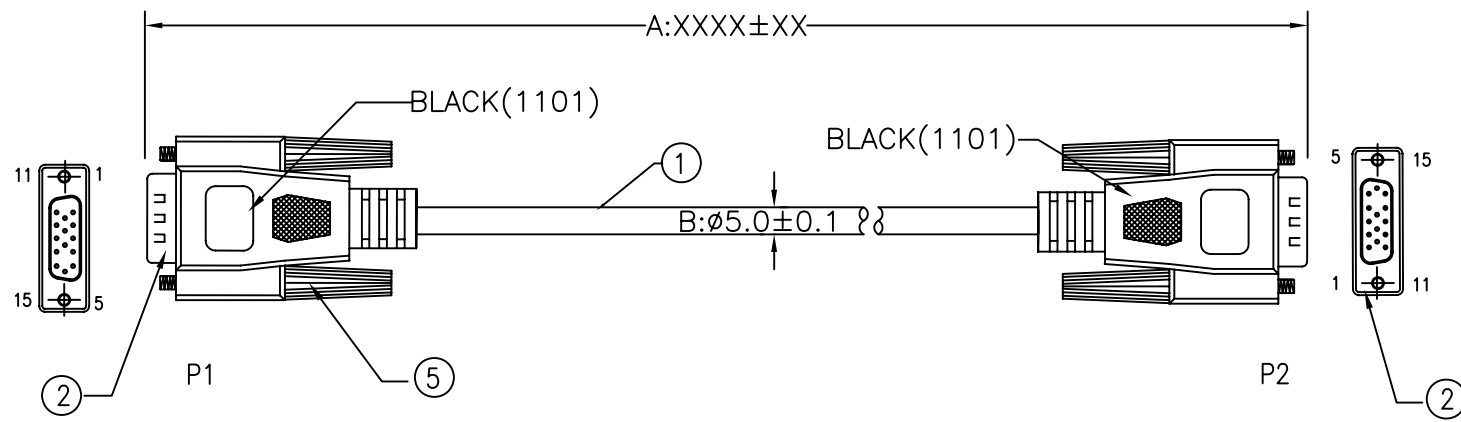


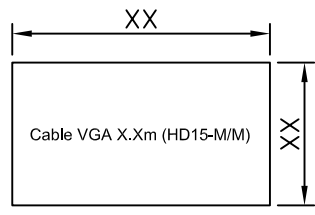
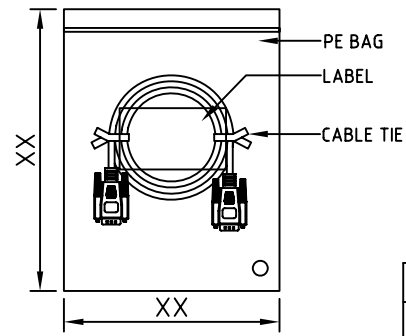
CUSTOMER NO:	REMARK
	Cablematic



PINOUT DIAGRAM:

P1		P2
HDB15M		HDB15M
1	BLACK	1
2	BROWN	2
3	RED	3
4	ORANGE	4
5	YELLOW	5
6	GREEN	6
7	BLUE	7
8	PURPLE	8
10	GRAY	10
11	WHITE	11
12	PLINK	12
13	LIGHT GREEN	13
14	BLACK/WHITE	14
15	BROWN/WHITE	15
SHELL	DRAIN	SHELL

PART NO.	CUSTOMER NO.	LENGTH	PE BAG	LABEL SIZE	QTY
W47RBKMM0.5	VS51	500±30MM	8"*8"*0.06MM	40*60MM	120
W47RBKMM01	VS52	1000±30MM	8"*8"*0.06MM	40*60MM	100
W47RBKMM02	VS53	2000±30MM	8"*8"*0.06MM	40*60MM	80
W47RBKMM03	VS54	3000±30MM	8"*10"*0.08MM	40*60MM	70
W47RBKMM04	VS55	4000±40MM	8"*10"*0.08MM	40*60MM	60
W47RBKMM05	VS56	5000±50MM	8"*12"*0.08MM	40*60MM	50



ITEM	DESCRIPTION	QTY	UNIT
8	NON UL PVC TUBE OD:2.3MM BLACK ROHS	0.03	M
7	SOLDER WIRE	0.9	g
6	CABLE TIE CLEAR 12CM ROHS	2	PCS
5	SCREW:#4-40UNC E:30.5MM BLACK(1101) FOR IBM(ROHS)	4	PCS
4	INNER JACKET PE ROHS	0.008	Kg
3	OUTER JACKET PVC 45Pd BLACK(1101) ROHS	0.037	Kg
2	HDB15M BLUE SOLDER TYPE TERMINAL GOLD FLASH W/O 9PIN(RoHS)	2	PCS
1	NON UL 30AWG 15C+A+D OD:5.0MM BLACK(1101) XXXXMM	1	PCS

A	FIRST EDITION	W47RBKMM08/01/2011
REV. ECR	DESCRIPTION	C.N. DATE
<small>THESE DRAWINGS AND SPECIFICATIONS ARE THE PROPERTY OF WIRETEK COMPUTER LIMITED AND SHALL NOT BE REPRODUCED COPIED OR USED IN ANY MANNER WITHOUT THE PRIOR WRITTEN CONSENT OF WIRETEK COMPUTER LIMITED.</small>		
<small>UNLESS OTHERWISE SPECIFIED: DIMENSIONS ARE IN MILLIMETERS ANGULAR TOLERANCE: ±1.0°</small>		
TITLE		MONITOR CABLE
DIMENSIONS	TOLERANCE	CHKD. CONF.
0.00 TO 30.00mm	±0.10mm	
30.01 TO 80.00mm	±0.13mm	DR. APPD.
80.01 TO 150.00mm	±0.15mm	
150.01mm	±0.20mm	
MATERIAL	MATERIAL	PART NO. W47RBKMMXX
FINISH	FINISH	SCALE / SHEET 1 / 2 UNIT MM SIZE A4 REV. A