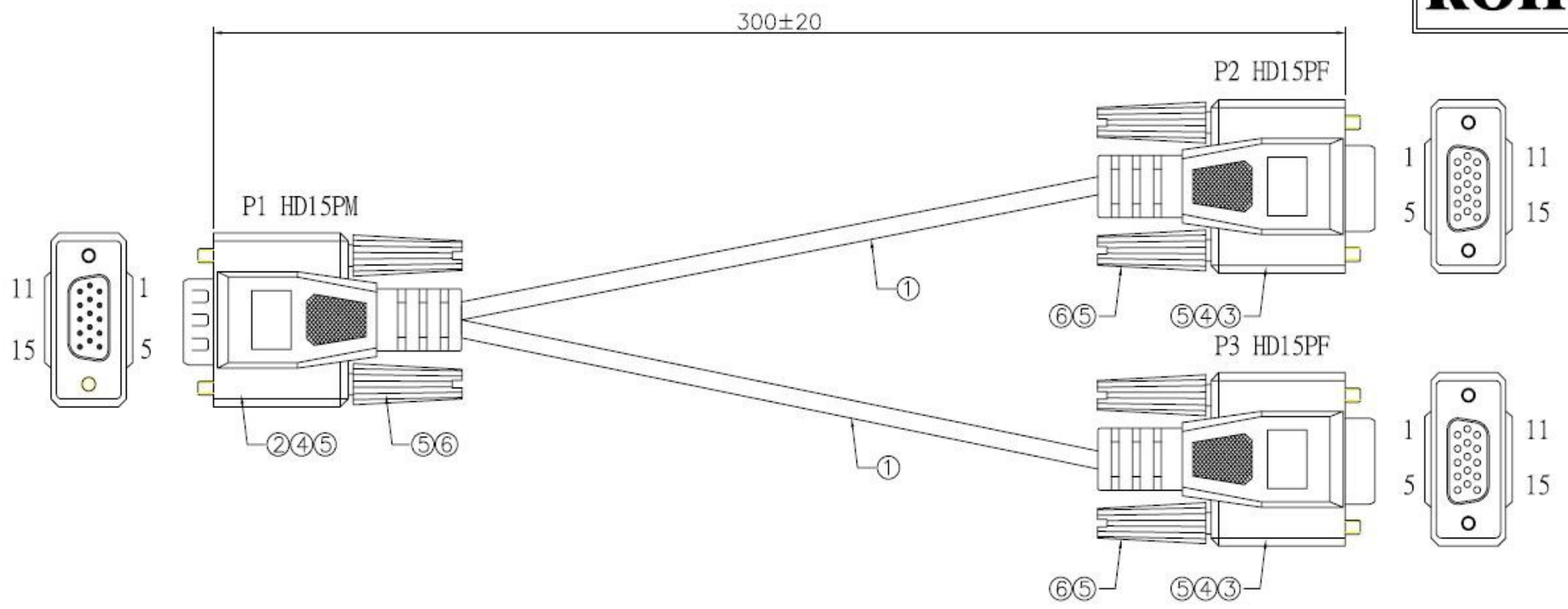


Rev	Modification Content	Date	Validate
A	the First Edition	2008-06-12	Cindy

ROHS



P/N	HD15PM/HD15PF*2			
Item	ARP15150030			
Drawn By	Cindy	Customer NO.	NO	N
Audited By			Unit : mm	
Date	2008-06-12	Rev. : 1.00	ME	

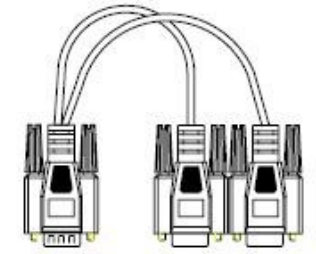
Rev	Modification Content	Date	Validate
A	the First Edition	2008-06-12	Cindy

ROHS

Pin Assignment:

P1		P2		P3
1	BLACK	1		1
2	BROWN	2		2
3	RED	3		3
4	ORANGE	4		4
5	YELLOW	5		5
6	GREEN	6		6
7	BLUE	7		7
8	PURPLE	8		8
9	GRAY	9		9
10	WHITE	10		10
11	PINK	11		11
12	LIGHT GREEN	12		12
13	RED/WHITE	13		13
14	ORANGE/WHITE	14		14
15	GREEN/WHITE	15		15
S	BLUE/WHITE	S		S

Packing:



1. 單條吊袋包裝.
2. 25條裝一大袋, 貼料號, 數量, 環保標籤.

7	PE Bag	0.03*18.5*(4+17)cm	1 pcs
6	Screw	4*47mm	6 pcs
5	Molding	45P PVC BEIGE;B7011	g
4	Molding	透明PE料	g
3	Connector	HD15PF 藍膠芯, 鐵殼鍍鎳	2 pcs
2	Connector	HD15PM 藍膠芯, 鐵殼鍍鎳	1 pcs
1	Cable	NOUL 30AWG(7/0.10銅包鋼)*16C+AL OD:5.0 JACKET:BEIGE L=300mm	2 pcs
NO.	P/N	DESCRIPTION	QTY

P/N	HD15PM/HD15PF*2			
Item	ARP15150030			
Drawn By	Cindy	Customer NO.	NO	N
Audited By			Unit : mm	
Date	2008-06-12		Rev. : 1.00	ME