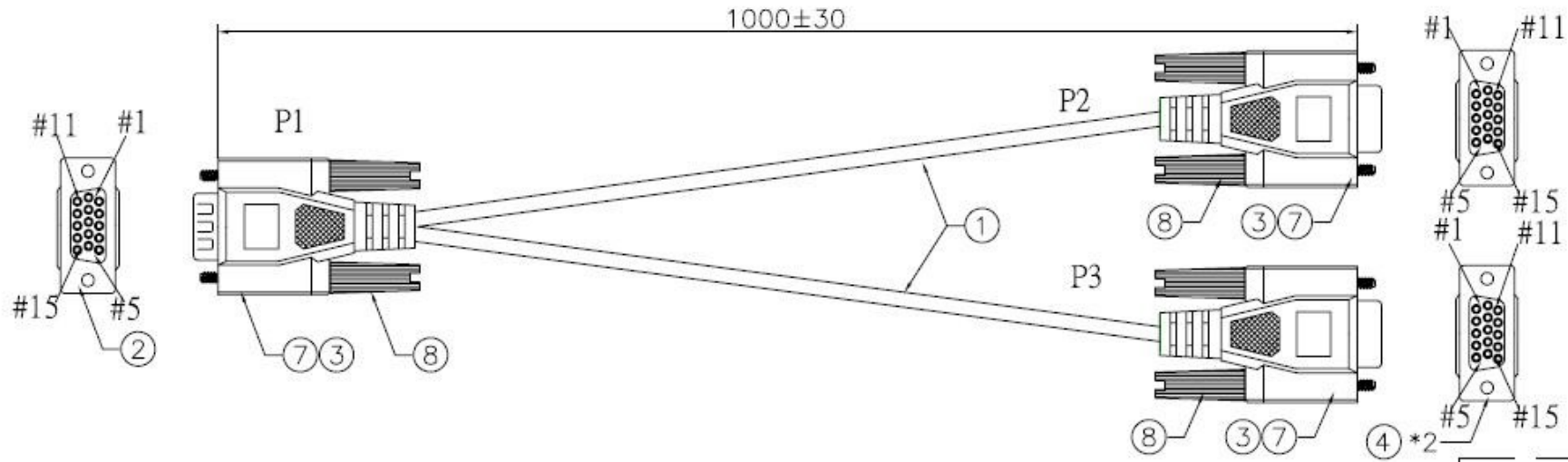
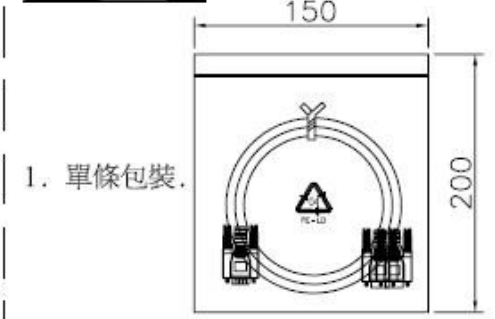


Rev	Modification Content	Date	Validate
A	the First Edition	2010-04-07	Aileen

**ROHS**



**Packing:**



**Pin Assignment:**

P1	P1	P1	
1	1	1	BLACK
2	2	2	BROWN
3	3	3	RED
4	4	4	ORANGE
5	5	5	YELLOW
6	6	6	GREEN
7	7	7	BLUE
8	8	8	PURPLE
9	9	9	GRAY
10	10	10	WHITE
11	11	11	BROWN/WHITE
12	12	12	RED/BLACK
13	13	13	ORANGE/BLACK
14	14	14	YELLOW/BLACK
15	15	15	GREEN/BLACK
S	S	S	BLUE/BLACK

8	Screw	#4-40UNC E30.5mm 貝吉色	6 pcs
7	Molding	PE透明料	20 g
6	Carton	46*30*23CM	pcs
5	PE bag	150*200*0.06MM	1 pcs
4	Connector	HDB15P 母頭 鐵殼鍍鎳 焊綫式 藍色膠芯	2 pcs
3	Molding	PVC 45P 貝吉色	60 g
2	Connector	HDB15P 公頭 鐵殼鍍鎳 焊綫式 藍色膠芯	1 pcs
1	Cable	NON-UL 30AWG(7/0.10 銅包鋼)*16C +AL OD5.0mm 外被貝吉色	1000*2mm
NO.	P/N	DESCRIPTION	QTY

P/N	HDB15M/HDB15F*2			
Item	HJ-141-VS92			
Drawn By	Aileen	Customer NO.	NO	N
Audited By	Cindy		Unit : mm	
Date	2010-04-07		Rev. : 1.00	ME