



19" Wall-mount cabinets

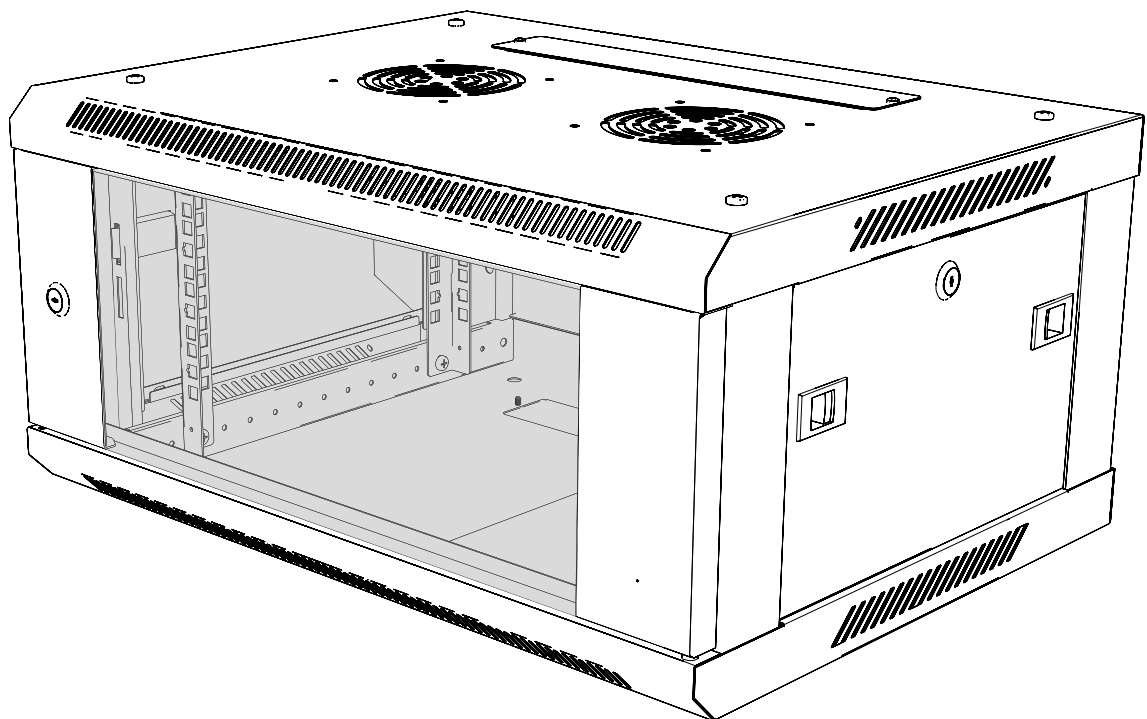
WF01 64/66 V2 series

Armarios de pared 19"

serie WF01 64/66 V2

User's manual

Manual de instrucciones



Spis treści

1.	Ważne zalecenia wstępne i informacje dotyczące użytkowania szaf wiszących 19" szybko składanych.....	4
1.1	Wprowadzenie.....	4
1.2	Zgodność z przepisami prawnymi i regulacjami dotyczącymi bezpieczeństwa i środowiska.....	4
1.3	Zawartość opakowania.....	4
1.4	Ogólne wytyczne dotyczące bezpieczeństwa i środków ostrożności.....	5
1.5	Wytyczne dotyczące zasad bezpieczeństwa ESD.....	5
1.6	Transport.....	5
1.7	Gwarancja.....	5
1.8	Rozpakowanie i kontrola.....	6
1.9	Przechowywanie i wentylacja.....	6
2.	Montaż.....	6
2.1	Przygotowanie.....	6
2.1.1.	Zestawienie elementów.....	6
2.2	Składanie szafy wiszącej 19" serii WF01 V2.....	7
2.2.1.	Montaż zamka w drzwiach przednich.....	7
2.2.2.	Montaż zamka w drzwiach bocznych.....	8
2.2.3.	Montaż pionowych szyn montażowych.....	8
2.2.4.	Montaż ram bocznych z pokrywą dolną i górną.....	9
2.2.5.	Montaż tylnej pokrywy.....	11
2.2.6.	Montaż płaskich zaślepek.....	11
3.	Montaż szafy na ścianie.....	12
4.	Montaż drzwi bocznych.....	13
5.	Montaż drzwi przednich.....	13
6.	Montaż uziemienia.....	13

Table of contents

1.	Important introductory recommendations and usage information of 19" wall-mount cabinets.....	14
1.1	Introduction.....	14
1.2	Compliance with legal and regulatory provisions regarding safety and the environment.....	14
1.3	Packaging contents.....	14
1.4	General safety precautions.....	15
1.5	Guidelines for ESD security principles.....	15
1.6	Transport.....	15
1.7	Warranty.....	15
1.8	Unpacking and examination.....	15
1.9	Storage and ventilation.....	16
2.	Assembly.....	16
2.1	Preparations.....	16
2.1.1.	Table of components.....	16
2.2	19" cabinet installation steps.....	17
2.2.1.	Front door lock installation.....	17
2.2.2.	Side door lock installation.....	18
2.2.3.	Vertical mounting rails installation.....	18
2.2.4.	Installation of side frames with top and bottom cover.....	19
2.2.5.	Rear cabinet cover installation.....	21
2.2.6.	Flat blank panels installation.....	21
3.	Cabinet wall installation.....	22
4.	Side door reinstallation.....	23
5.	Front door installation.....	23
6.	Grounding.....	23

Índice

1.	Recomendaciones previas importantes e información relativa al uso de los armarios de pared 19" de montaje rápido.....	24
1.1	Introducción	24
1.2	Conformidad con las disposiciones legales y regulaciones relativas a la seguridad y el medio ambiente	24
1.3	Contenido del embalaje.....	24
1.4	Indicaciones generales sobre seguridad y medidas de precaución	25
1.5	Indicaciones relativas a las normas de seguridad ESD.....	25
1.6	Transporte	25
1.7	Garantía.....	25
1.8	Desembalado y control	25
1.9	Almacenamiento y ventilación	26
2.	Montaje	26
2.1	Preparación.....	26
2.1.1.	Lista de elementos	26
2.2	Montaje del armario de pared 19" de la serie WF01 V2	27
2.2.1.	Montaje de la cerradura en la puerta delantera.....	27
2.2.2.	Montaje de la cerradura en las puertas laterales.....	28
2.2.3.	Montaje de los carriles de montaje verticales.....	28
2.2.4.	Montaje de los marcos laterales con la tapa inferior y superior	29
2.2.5.	Montaje de la tapa posterior	31
2.2.6.	Montaje de los tapones planos.....	31
3.	Montaje del armario en la pared.....	32
4.	Montaje de las puertas laterales.....	33
5.	Montaje de la puerta delantera.....	33
6.	Montaje de la puesta a tierra	33

1. Important introductory recommendations and usage information of 19" wall-mount cabinets

1.1 Introduction

PLEASE SAVE THIS MANUAL - it contains a set of recommendations, guidelines, safety rules, restrictions and operating instructions of Lanberg's 19" wall-mount cabinets, detailing the models supported below:

- WF01-6404-10B
- WF01-6404-10S
- WF01-6604-10B
- WF01-6604-10S
- WF01-6406-00B
- WF01-6406-00S
- WF01-6406-10B
- WF01-6406-10S
- WF01-6606-00B
- WF01-6606-00S
- WF01-6606-10B
- WF01-6606-10S
- WF01-6609-00B
- WF01-6609-00S
- WF01-6609-10B
- WF01-6609-10S
- WF01-6412-00B
- WF01-6412-00S
- WF01-6412-10B
- WF01-6412-10S
- WF01-6612-00B
- WF01-6612-00S
- WF01-6612-10B
- WF01-6612-10S
- WF01-6418-10B
- WF01-6418-10S
- WF01-6618-10B
- WF01-6618-10S
- WF01-6427-10B
- WF01-6427-10S
- WF01-6627-10B
- WF01-6627-10S
- WF01-6422-10B
- WF01-6422-10S
- WF01-6622-10B
- WF01-6622-10S

Manual also contains logistic and technical data, instructions, and regulations that must be observed and complied with during transport, assembly, use, and potential maintenance of the products. Under no circumstances should you use the device before carefully reading and fully adapting to all information in the user's manual. Keep this manual for future reference. All photos, illustrations contained in the instructions are for reference only. The information contained in this manual has been verified and is considered sufficient. The supplier is not responsible for any inaccuracies that may be included in this document, nor is he responsible for updating or keeping the current information in this manual, nor for notifying its users or organization about the updates. In particular, Lanberg owners are not responsible for any equipment, software, or data stored/used with the product, including maintenance, replacement, integration, installation, or recovery of hardware, software, or data in the event of misuse of the product or its components.

Lanberg brand owners reserve the right to make changes to this manual at any time without notice. The products mentioned in this manual, including the documentation, are the property of the Lanberg brand owners and its licensors. Any use or reproduction of these products, including documentation, is prohibited, except as expressly authorized under the appropriate license terms.

NOTE: For the most up-to-date version of this manual, please visit our website at www.lanberg.eu.

1.2 Compliance with legal and regulatory provisions regarding safety and the environment

This product complies with EU safety and environmental regulations.

The products listed in the following instructions have been approved for trading within the EU, by obtaining a European Union Declaration of Conformity, which contains a declaration with the essential requirements and other relevant provisions of the following Directives, and that the following harmonized standards have been applied.

Directive: RoHS 2011/65/UE + 2015/863/UE

Standards: IEC 62321-4:2013 + A1:2017; IEC 62321-5:2013;
IEC 62321-6:2015; IEC 62321-7-2:2017; IEC 62321-8:2017;



With the development of products and updates to CE regulations, the declaration may change. The latest declaration of conformity (CE) can be found at: www.lanberg.eu.

NOTE: The use of the WEEE symbol (crossed-out wheeled bin symbol) means that this product cannot be treated as household waste. Proper disposal of used equipment avoids risks to human health and the environment, resulting from the possible presence of hazardous substances, mixtures, and components in the equipment, as well as improper storage and processing of such equipment. The selective collection also allows you to recover materials and components, from which the device was manufactured. For more information about the recycling of this product, please contact the retail outlet, where the product was purchased, or request information from the local authority.

1.3 Packaging contents

The following items should be provided in the shipping packaging:

- (1x) Front door with 2 grounding pins.
- (2x) Side frame with attached side panel equipped with 2 latches.
- (1x) Top cover with cable entry and 2 holes in the middle for 12x12 cm fans.
- (2x) Flat blank panel for top and bottom cable entry panel.
- (1x) Rear cabinet cover.
- (4x) Vertical mounting rails with "U" numbered height to install Rackmount devices.
- (1x) Wall-mount rail.
- Essential installation accessories in a string bag: (16x) M4*8 self-tapping Phillips screws; (8x) M5*8 self-tapping Phillips screws; (8x) M6*12 Phillips screws; (1x) plastic washer; (1x) grounding kit (wire, washers, nuts); (1x) front door lock with keys and flat metal latch; (2x) side door lock with keys and curved metal latch; (12x for size < 10 U; 24x for size >= 10 U) M6*12 Phillips screws with M6 Cage nut; (1x) printed user's manual.
- (1x) Bottom cover with cable entry and 4 holes with M10 threaded nut on the sides and 2 grounding pins.

1.4 General safety precautions

- The device specifications must be strictly observed when using the product and connecting it to any external products. The specifications of the external devices to which this device is to be connected must also be observed.
- The product cannot be used outside of the rated values in its specification. The warranty does not cover any damage caused by a deviation from these values when using the device.
- All installations, connections, cabling, and circuits in which the product will be used must be made in a manner consistent with locally applicable electricity regulations and in such a way as to eliminate the risk of people walking or tripping over them. Use only power cables with VDE and CE certification when connecting them to the device. It is necessary to use the same procedures mentioned in this section when connecting the cabling to the product or to the external components.
- For external devices connected to this product, the operating instructions supplied by their manufacturer must be strictly observed.
- To ensure safety and compliance of the device, use only components or parts that meet the specifications or are recommended by the manufacturer.
- During the warranty period, it is forbidden to replace any elements of the product by its users. Maintenance should be entrusted only to qualified technical personnel, such as the manufacturer's technical department or an authorized importer.
- If it is necessary to perform maintenance of the device, it should be carried out or supervised by a person having appropriate qualifications and technical knowledge about the device, while maintaining proper precautions. All this under the local regulations in force.
- If it is necessary to perform maintenance of the equipment or similar activities that will require opening the device or contact with elements that may be under potential voltage, the following safety rules should be observed before carrying out these activities: remove all bracelets, necklaces, rings, watches or other metal hand and neck objects and use tools with insulated handles.
- Always before performing the equipment maintenance, there should be a person nearby who would react and take appropriate steps to assist the person in charge of the device maintenance in the event of an accident. A person undertaking the maintenance should always wash hands after finishing his / her work.
- NEVER allow a situation where sparks or flames could occur near the device. The aftermath of such a situation could have very negative consequences for people and things in the vicinity.
- In the event of a fire, immediately and (without unnecessary delay) disconnect the power supply and notify the fire department of the situation by dialing their assigned emergency number in the country of your stay.
- The product is intended for indoor use. Do not rebuild and/or modify the products and/or their components.
- Under no circumstances, other external products are to be introduced (connected to the device), that are non-compliant with the intended use of that device and/or not intended for that purpose.
- The manufacturer and distributor are not responsible for any damages resulting from improper use and improper handling of the product (not in accordance with this manual).
- Before attempting to attach or disconnect a device, connect or disconnect cables to it in a 19" wall-mount cabinet, please firstly connect all components to a verified and efficient grounding.
- Make sure that all parts assembled from the beginning in 19" wall-mount cabinet, as well as equipment assembled by the user, are properly screwed or unscrewed when disassembly is carried out. It is unacceptable that any elements of the product or constituting its coherence are not correctly fastened/applied or pose a threat by their incorrect isolation from other functioning factors that in contact would cause danger.

1.5 Guidelines for ESD security principles

To prevent damage to the product, system, or electrical components by electrostatic discharge (ESD), it is vital to be properly prepared and to handle device(s) with care. The following measures are generally sufficient to protect the product against ESD:

- Do not use metal straps or wristbands on your hands to prevent static discharge.
- Touch a grounded metal object first before using/performing the maintenance (if possible) of the device.
- When handling electrical equipment, avoid contact with pins, connectors, and any energy relays.
- When moving electronic components, it is recommended to grab only their (isolated) edges, where there is no current flow. Do not touch components, integrated circuits, memory modules, contacts, etc.
- All electronic devices should be placed back into antistatic bags (if possible) when they are not in use.

1.6 Transport

During transport, store the product only in the original packaging to protect against shocks and bumps. Do not throw the packaging in the trash. When shipping a product under warranty, the product must be in its original shipping box.

1.7 Warranty

The warranty does not apply in the event of product failures and defects resulting from improper use and handling of the device (not under this user manual). Mechanical damage is the basis for rejecting a complaint. To correctly submit a warranty claim, contact your retailer.

1.8 Unpacking and examination

In the presence of the carrier, carefully unpack the product from the shipping box and make sure to check whether:

- Contents of the package include all the elements listed in point 1.3.
- All items are undamaged.

In case of absence, damage, discrepancies in the elements contained in point 1.3, a damage report has to be drawn up (if any occurred), and the matter has to be submitted to the seller. The following are required: photographs, batch number, and description of the problem. Indicated actions should be carried out on the same day as the date of product delivery.



1.9 Storage and ventilation

- The product should be installed only in locations with limited access (separate rooms for equipment, etc.).
- Do not install and store the device in places with water (still or running), humidity, or any other liquid substances being present.
- Avoid exposing the product to direct sunlight sources.
- Place the device on a stable, dry surface in a well-ventilated place. Leave at least 100 mm of free space around it to ensure adequate ventilation.
- The device is designed to work only in a controlled environment (controlled temperature and humidity according to the data in the specification, indoors, without conductive pollution present [dust, flammable gases, corrosive substances, etc.]).

2. Assembly

i **Be sure to strictly follow the instructions in this manual.**





2.1 Preparations

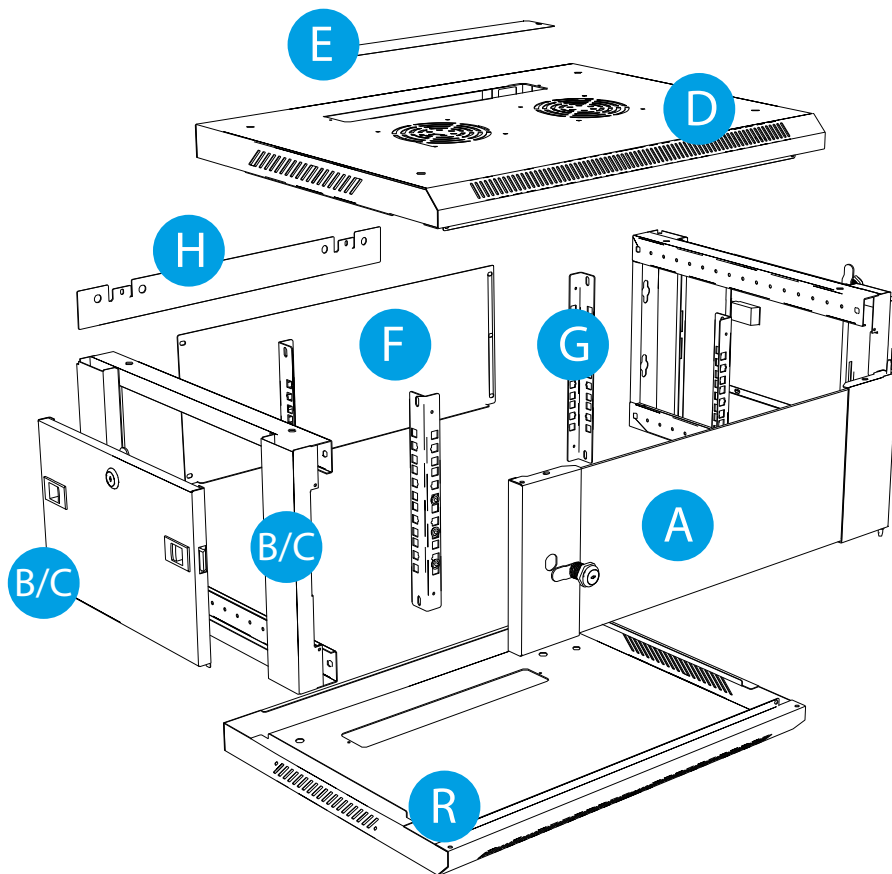
Prepare the appropriate amount of free space on the surface on which the assembly will take place. Carefully remove all elements from the transport box. Further assembly instructions will be based on the diagram provided. Prepare 4 mounting anchors and 4 screws (not included) matching the load capacity of the cabinet's overall weight. Those elements also have to fit the diameter of the wall-mount rail's installation holes: 4 – Ø 10.

Due to the use of M6*12 Phillips screws to attach the top and bottom covers with side frames, we recommend a good Phillips screwdriver. The recommended specification is PH3x150 mm.

2.1.1. Table of components

Component	Supplied quantity	Component symbol
Front glass / metal door with 2 grounding pins	1x	A
Side frame with attached side panel equipped with 2 latches	2x	B C
Top cover with cable entry and 2 holes in the middle for 12x12 cm fans	1x	D
Flat blank panel for top and bottom cable entry panel	2x	E
Rear cabinet cover	1x	F
Vertical mounting rails with "U" numbered height	4x	G
Wall-mount rail	1x	H
M4*8 Self-tapping Phillips screw	16x	I
M5*8 Self-tapping Phillips screw	8x	J
M6*12 Phillips screw	8x	K
M6*12 Phillips screw with M6 Cage Nut	< 10 U: 12x >= 10U: 24x	L
Plastic washer to be installed under the front door	1x	N
Grounding kit (wire, washers, nuts)	1x	M
Front door lock with keys and a flat metal latch	1x	O
Side door lock with keys and a curved metal latch	2x	P
Bottom cover with cable entry and 4 holes with M10 threaded nut on the sides and 2 grounding pins	1x	R

Element	M4*8 Self-tapping Phillips screw	M5*8 Self-tapping Phillips screw	M6*12 Phillips screw	M6*12 Phillips screw with M6 Cage Nut
	I	J	K	L
Illustration				
Supplied quantity	16x	8x	8x	< 10 U: 12x >= 10U: 24x

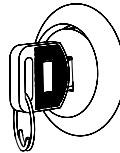


2.2 19" cabinet installation steps

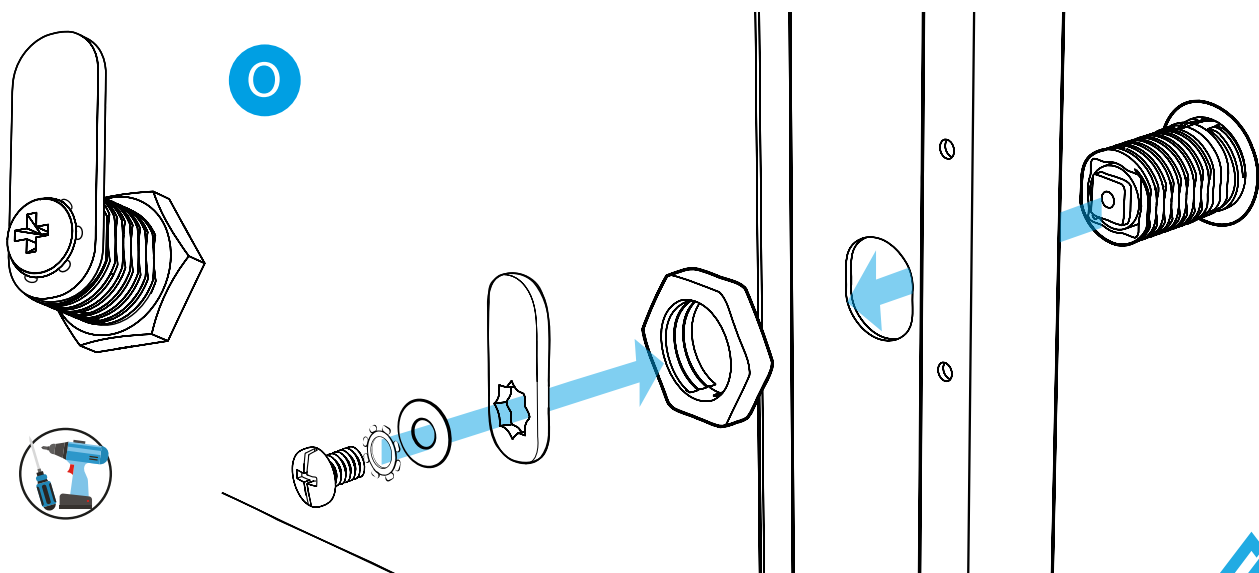
2.2.1. Front door lock installation

1. Insert the lock module from the string bag marked with **[O]** symbol through the door so that 2 parallel flat parts of the module are in a horizontal position. The next steps will be for other elements included in this bag.

i Use the keys to set the lock in a vertical position.



2. Screw the washer in by inserting it with engraved triangles side towards the door onto the lock module. Finally, hold the lock module with the door keys and try to tighten the washer tightly.
3. Apply a flat vertical metal lock latch (facing upwards) to the square module element with the screw hole. Next, insert the flat metal round washer and then star-shaped one. Fix everything together by screwing the bolt into the lock module.

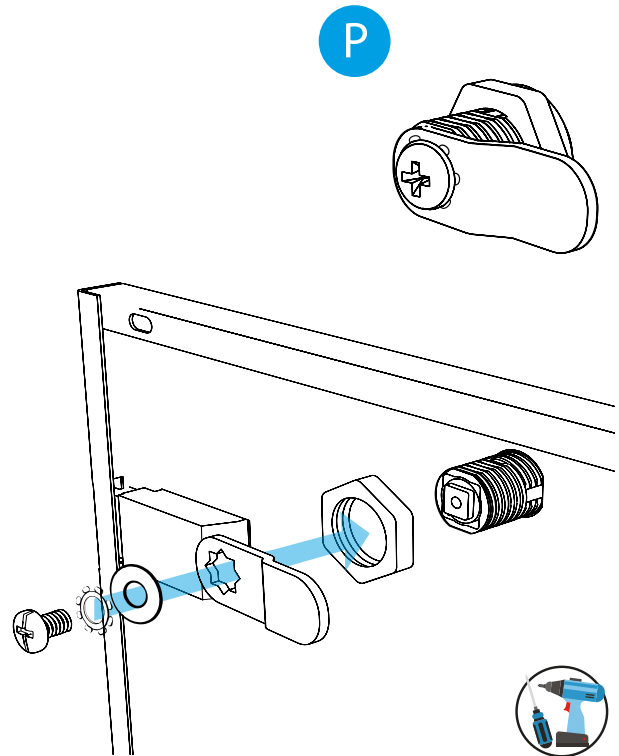


2.2.2. Side door lock installation

1. Remove the side door from the side frames [B + C]. Their reassembly will take place during the final assembly of the cabinet.
2. Insert the lock module from the string bag marked with [P] symbol through the door so that 2 parallel flat parts of the module are in a horizontal position. The next steps will be for other elements included in this bag.

i Use the keys to set the lock in a horizontal position.

3. Screw the washer in by inserting it with engraved triangles side towards the door into the lock module. Finally, hold the lock module with the door keys and try to tighten the washer tightly.
4. Apply the curved metal lock latch horizontally (curved part facing the door) to the square module element with the screw hole. Next, insert the flat metal round washer and then star-shaped one. Fix everything together by screwing the bolt into the lock module.
5. The same steps 1 ~ 4 should be performed for the 2nd side door [C].



2.2.3. Vertical mounting rails installation

i Before further installation, pay attention to where the front and rear sides of the side frames [B + C] are.

1. Place on a flat surface both side frames [B + C] (without the doors) so that their fronts face your direction.

The distance between the centres of the small holes in the side frames [B + C] is 25 mm.

The maximum distance (working depth) between the front and rear vertical mounting rails (taking into account their thickness) is:

I) For wall-mounted enclosures with a total length of 450 mm: 379.5 mm.

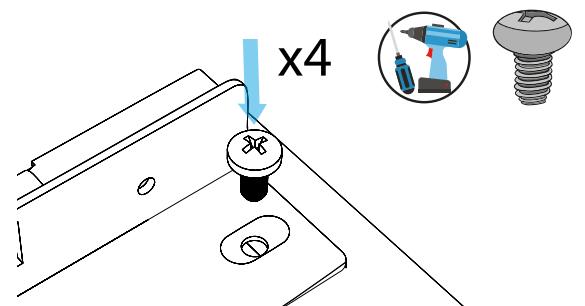
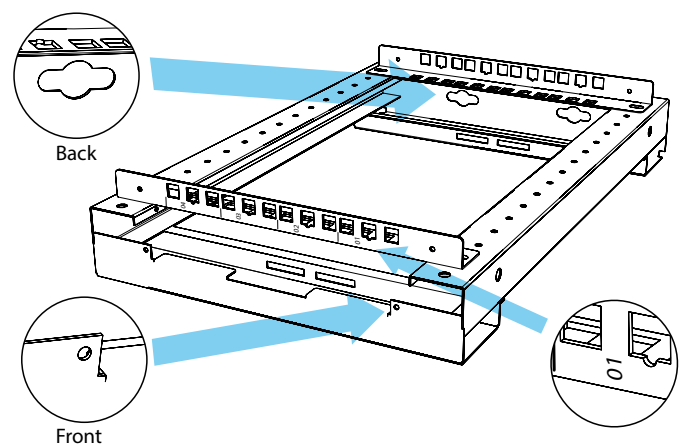
II) For wall-mounted enclosures with an overall length of 600 mm: 529.5 mm.

However, it is recommended to install the rear vertical mounting rails on the 3rd hole from the end (50 mm difference) on the side frames to accommodate the devices with the input plug and cable (approx. 55 mm on average).

2. Use 2 vertical mounting rails [G] and adjust the required distance between them on the left side frame [B].

i It is vital to make sure that the numbering of the front vertical rails is in ascending order from right to left (see the provided illustrations). Rear vertical rails also have to be mounted the same way.

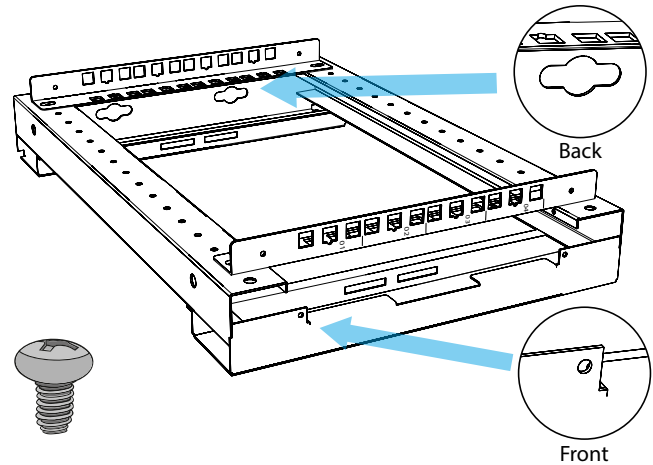
3. Use a total of 4 M5*8 self-tapping Phillips screws [J] to attach the vertical mounting rails to the side frame - 2 screws for each end of the rail.



- Use 2 numbered vertical mounting rails [G] and choose the same distance as in point 2. on the right side frame [C].

i It is vital to make sure that the numbering of the front vertical rails is in ascending order from left to right (see the provided illustrations). Rear vertical rails also have to be mounted the same way.

- Use a total of 4 M5*8 self-tapping Phillips screws [J] to attach the vertical mounting rails to the side frame - 2 screws for each end of the rail.

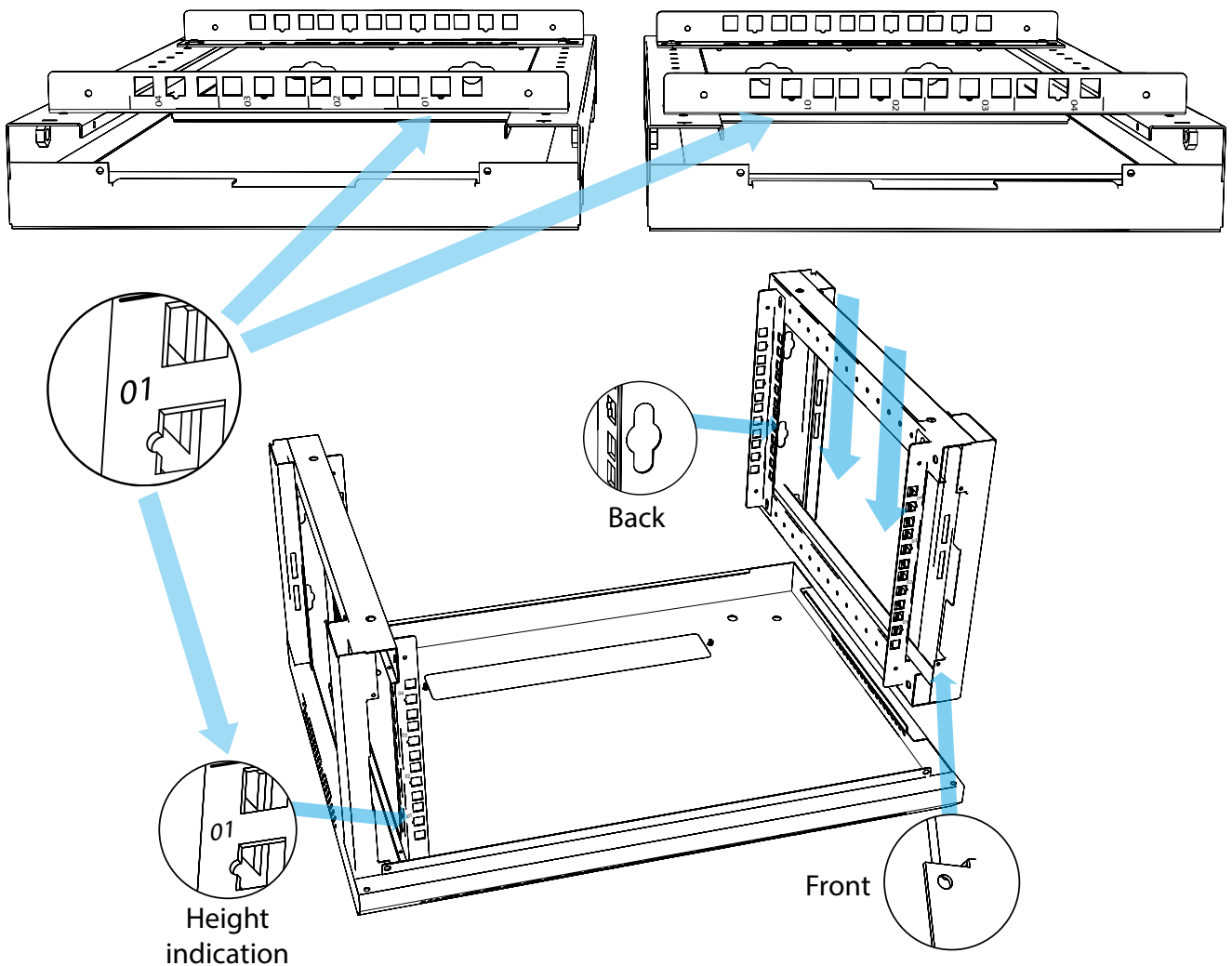


2.2.4. Installation of side frames with top and bottom cover

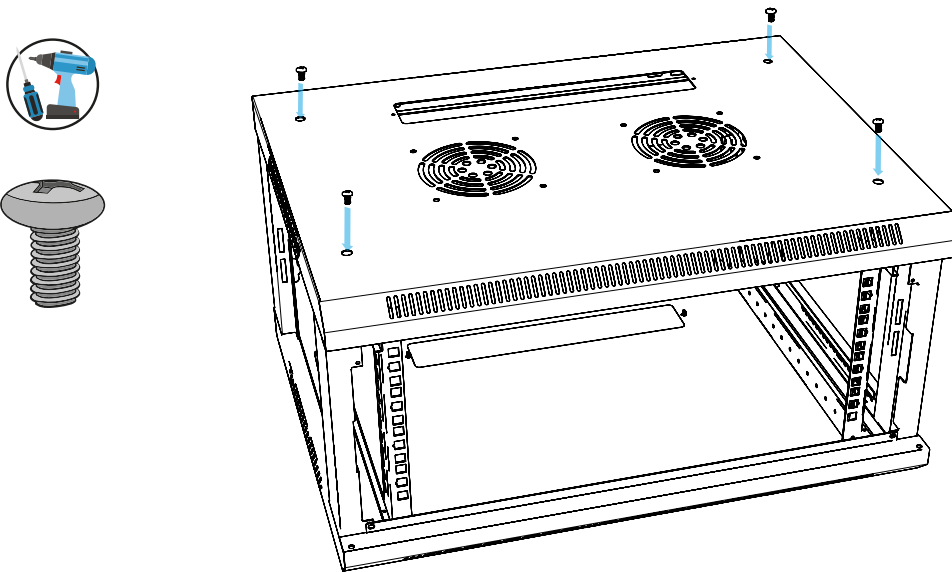
- Prepare the bottom cover [R] so that the cable entry is at the back.
- Place the left side frame [B] on the left side of the bottom cover and the right side frame [C] on the right side of the cover.

i Before proceeding with the next assembly step, make sure that:

- The height numbering is ascending from bottom to top cover on the front and rear vertical mounting rails.
- The pairs of opposite rails are mounted on the same lengths.

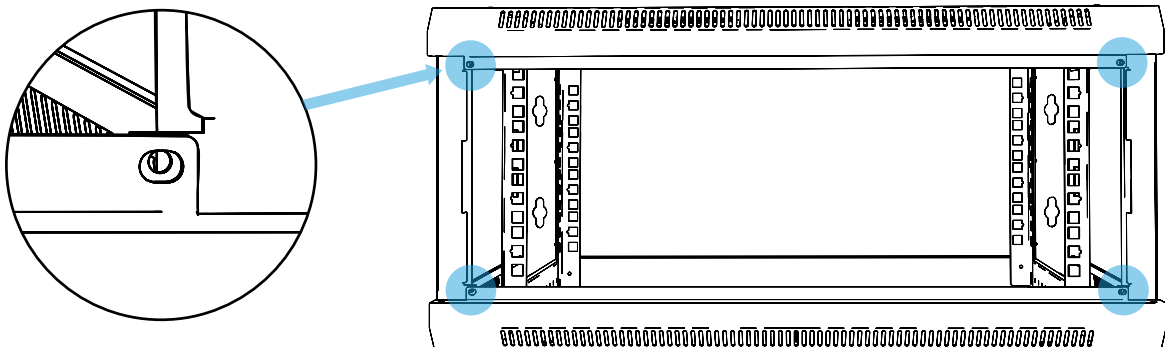


- Place the top cover [D], with cable entry at the back, on the side frames [B + C], and adjust it to their alignment.
- Use a total of 4 M6*12 Phillips screws [K] to attach the top cover to the side frames - 2 on each side.

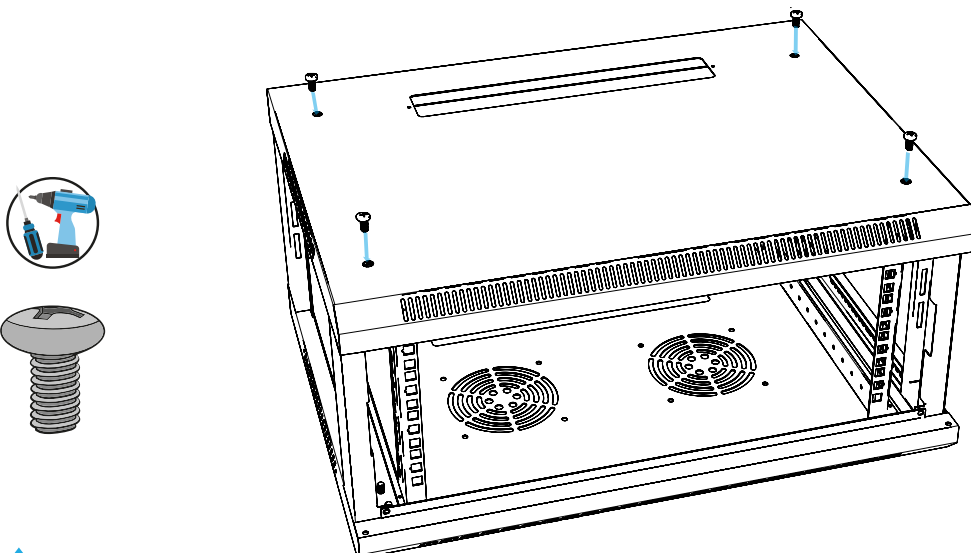


i Remember to:

- Regularly pay attention to the position of the top cover [D] in regards to the holes in the side frames [B + C]. Do not tighten every screw to the max! First, insert all of them at about 2/3 of their height, check the alignment, and then tighten all screws.
- Make sure that the small holes for M4*8 self-tapping Phillips screws [I] on the front side of both covers and side frames overlap with each other.



- Rotate the whole structure 180 degrees. Adjust the bottom cover [R] to the side frames position.
- Use a total of 4 M6*12 Phillips screws [K] to attach the bottom cover to the side frames - 2 on each side.

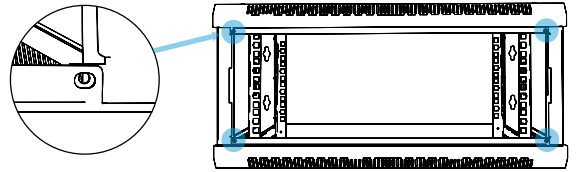




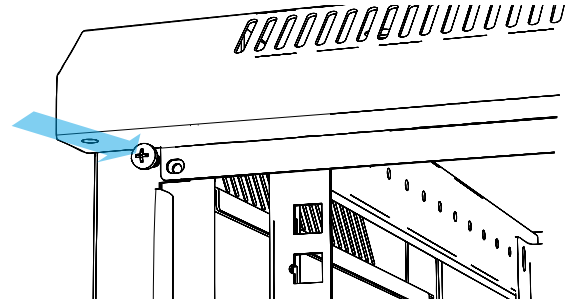
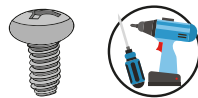
Remember to:

I) Regularly pay attention to the position of the bottom cover [R] in regards to the holes in the side frames [B + C]. Do not tighten every screw to the max! First, insert all of them at about 2/3 of their height, check the alignment, and then tighten all screws.

II) Make sure that the small holes for M4*8 self-tapping Phillips screws [I] on the front side of both covers and side frames overlap with each other.

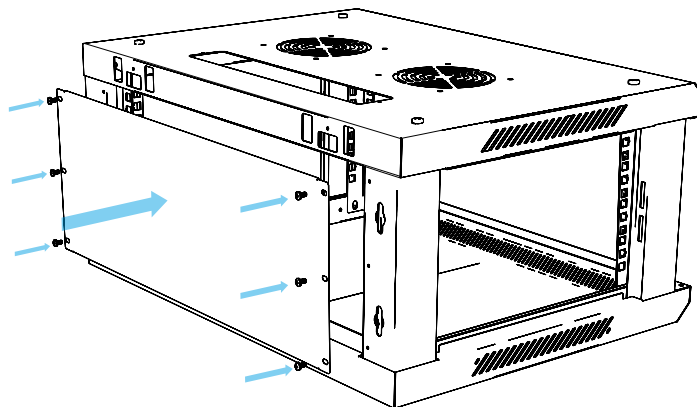


7. Use a total of 4 M4*8 self-tapping Phillips screws [I] to fix, on the front side, both covers [D + P] with side frames [B + C] - 1 on each side (see the illustration above).



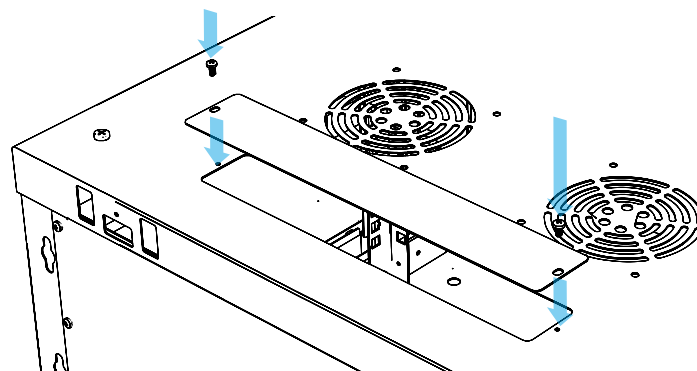
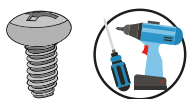
2.2.5. Rear cabinet cover installation

1. Align the rear cover [F] so that its 6 holes overlap with the 6 holes at the rear of the side frames [B + C].
2. Use a total of 6 M4*8 self-tapping Phillips screws [I] to attach the rear cover to the side frames - 3 per side.



2.2.6. Flat blank panels installation

1. Align flat blanking panel [E] to the cover's lower cable entry so that the screw holes on both components overlap.
2. Use a total of 2 M4*8 self-tapping Phillips screws [I] to attach the blanking panel to the lower cable entry - 1 per each side.
3. Rotate the cabinet structure by 180 degrees.
4. Align another flat blanking panel [E] with the cover's upper cable entry so that the screw holes on both components overlap.
5. Use 2 more M4*8 self-tapping Phillips screws [I] to attach the blanking panel to the upper cable entry - 1 per each side.



3. Cabinet wall installation

1. Prepare (your own) 4 mounting anchors and 4 screws to match the load capacity of the cabinet's overall weight and the diameter to the holes of the wall-mount rail: 4 - Ø 10. The distance between the centers of the larger holes on the rail, per side, is 69 mm, and between the centers of the larger holes, at the ends of the rail, (left and right) is 468 mm.

2. Align the wall-mount rail **[H]** with the surface of the wall and make sure it is leveled.

3. Outline the 4 edges of the wall-mount rail holes (excluding those on the hooks).

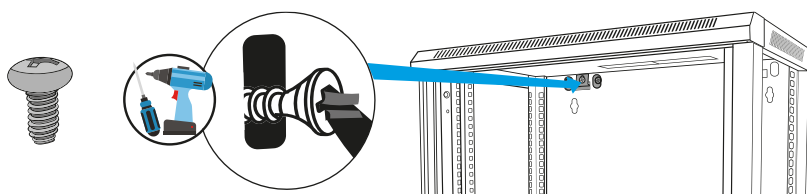
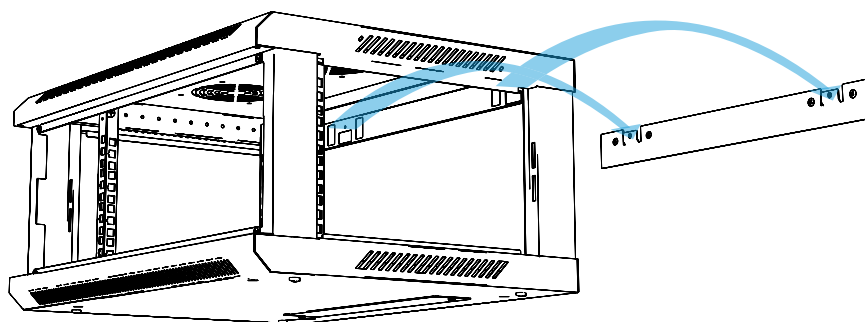
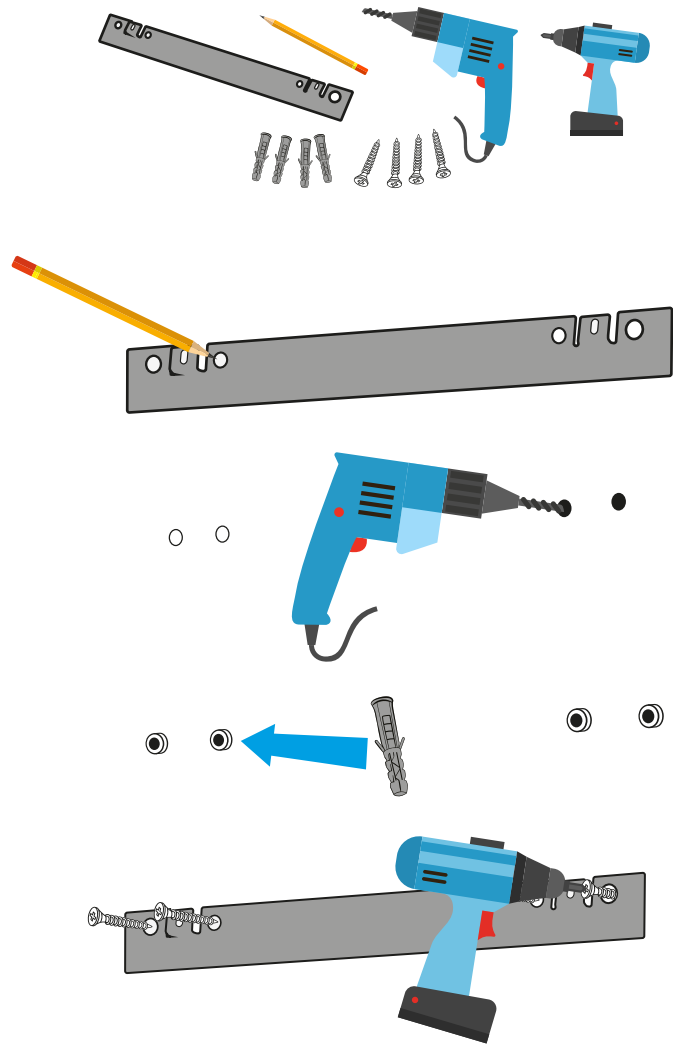
4. Drill 4 holes in the outlined spots, then insert the expansion anchors.

5. Re-adjust the rail so that between its 2 L-shaped hooks and the wall there is enough space for attaching the cabinet.

6. Screw 4 bolts into the expansion anchors. First into 2 external holes (1 on each side), others into 2 internal holes.

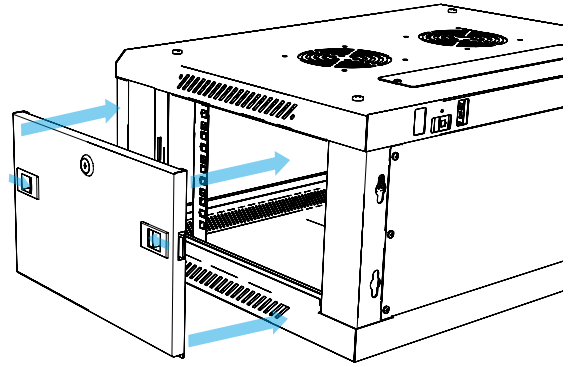
7. Hang the assembled cabinet by attaching 2 holes at the back on top of the top cover **[D]** by 2 rail hooks.

8. Use 2 M4*8 self-tapping Phillips screws **[I]** to fix the rear structure of the cabinet with 2 hooks on the wall-mount rail.



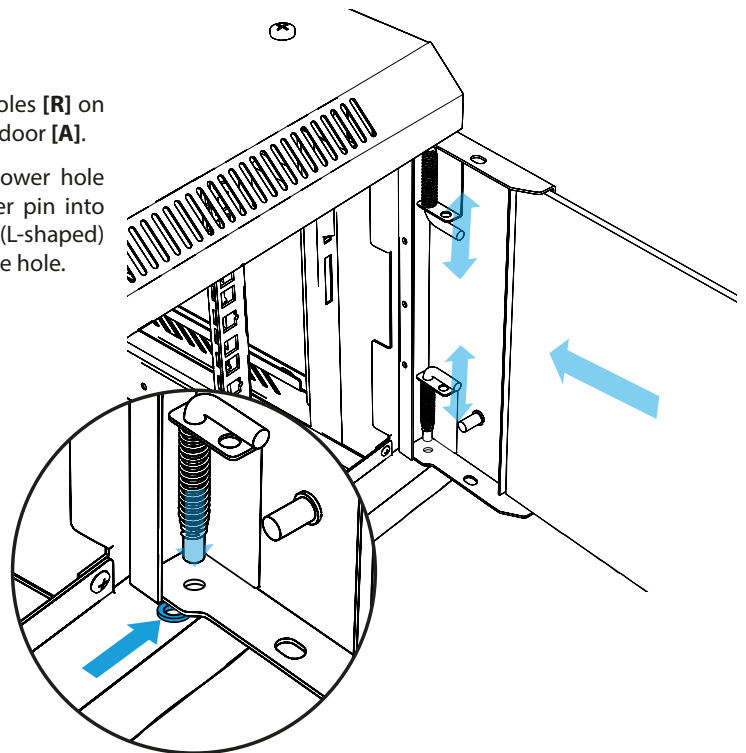
4. Side door reinstallation

1. Side doors, which should have been removed from the box at an earlier stage of assembly, should be reinstalled in the side frames **[B + C]**. Simultaneously press 2 latches in the middle of doors, and when they are aligned with the frame holes, release them.
2. Use the keys **[P]** to lock the side frame door.



5. Front door installation

1. Put a plastic washer **[N]** on one of the bottom cover holes **[R]** on which you plan to place the grounding pin of the front door **[A]**.
2. Insert the lower pin of the front door **[A]** into the lower hole through the plastic washer, and then insert the upper pin into the hole on the top cover **[D]** by pressing the hinges (L-shaped) inwards. Release the pressure when it is aligned with the hole.
3. Use the keys **[O]** to lock the front door.



6. Grounding

The cabinet has 4 grounding pins with a diameter of 6 mm:

- 2x on the front door **[A]**.
- 2x on the bottom cover **[R]**.

Grounding wire **[M]** is included. It consists of 42 conductors made of pure copper (100% CU), 0.16 mm each. The cable cross-section is ~0.9 mm². A cable is used to connect the bottom cover to the front door (with the possibility of opening it at an angle of up to 180°).

To connect one of the cabinet's main grounding pins (located on the bottom cover) to the equalizer connection a cable of appropriate length must be purchased separately. Its AWG should be between 17 ~ 18 and the conductors must be made of pure copper (100% CU) only.

1. Recomendaciones previas importantes e información relativa al uso de los armarios de pared 19" de montaje rápido

1.1 Introducción

CONSERVA ESTAS INSTRUCCIONES. El presente conjunto de recomendaciones, indicaciones, normas de seguridad, restricciones e instrucciones de uso de los armarios de pared 19" de la marca Lanberg, se aplica para los modelos detallados a continuación:

- WF01-6404-10B
- WF01-6606-00B
- WF01-6609-00B
- WF01-6612-00B
- WF01-6418-10B
- WF01-6427-10B
- WF01-6404-10S
- WF01-6606-00S
- WF01-6609-00S
- WF01-6612-00S
- WF01-6418-10S
- WF01-6427-10S
- WF01-6604-10B
- WF01-6606-10B
- WF01-6609-10B
- WF01-6612-10B
- WF01-6618-10B
- WF01-6627-10B
- WF01-6604-10S
- WF01-6606-10S
- WF01-6609-10S
- WF01-6612-10S
- WF01-6618-10S
- WF01-6627-10S
- WF01-6406-00B
- WF01-6409-00B
- WF01-6412-00B
- WF01-6415-10B
- WF01-6422-10B
- WF01-6406-00S
- WF01-6409-00S
- WF01-6412-00S
- WF01-6415-10S
- WF01-6422-10S
- WF01-6406-10B
- WF01-6409-10B
- WF01-6412-10B
- WF01-6615-10B
- WF01-6622-10B
- WF01-6406-10S
- WF01-6409-10S
- WF01-6412-10S
- WF01-6615-10S
- WF01-6622-10S

También contiene datos logísticos, técnicos, instrucciones y reglamentos que deben ser respetados y que deben cumplirse durante el transporte, el montaje, el uso y el eventual mantenimiento de los productos. En ningún caso se debe utilizar el dispositivo sin haber leído con atención toda la información contenida en el manual de instrucciones. Esta información debe ser respetada en su totalidad. Conserva estas instrucciones para su uso en el futuro. Todas las fotografías o figuras contenidas en las instrucciones tienen carácter ilustrativo. La información contenida en el presente manual de instrucciones ha sido comprobada y se considera suficiente. El proveedor no asume la responsabilidad por ninguna inexactitud que pueda estar contenida en este documento, ni se compromete a actualizar o mantener al corriente la información en estas instrucciones o a notificar a los usuarios u organizaciones su actualización. En particular, los propietarios de la marca Lanberg no asumen la responsabilidad por ningún equipo, software o datos almacenados o utilizados con el producto, incluyendo los costes de reparación, sustitución, integración, instalación o recuperación de equipos, software o datos en caso de un uso indebido del producto o de sus elementos.

Los propietarios de la marca Lanberg se reservan el derecho de introducir modificaciones en las presentes instrucciones en cualquier momento y sin previo aviso. Los productos mencionados en las presentes instrucciones, incluyendo la documentación, son propiedad de los propietarios de la marca Lanberg y de sus licenciantes. Cualquier uso o reproducción de estos productos, junto con la documentación, está prohibido, a excepción de un permiso explícito en las correspondientes condiciones de la licencia.

ATENCIÓN: Para conseguir la versión más actual de estas instrucciones rogamos visitar nuestra página web en la dirección www.lanberg.pl.

1.2 Conformidad con las disposiciones legales y regulaciones relativas a la seguridad y el medio ambiente

Este producto es conforme con los reglamentos de la Unión Europea (UE) relativos a la seguridad y el medio ambiente.

Los productos mencionados en las presentes instrucciones han sido aprobados para su comercialización en el territorio de la UE, consiguiendo una declaración de conformidad de la Unión Europea, que contiene una declaración con los requisitos fundamentales y otras disposiciones aplicables de las siguientes directivas, y se han aplicado las normas armonizadas mencionadas a continuación.

Directiva: RoHS 2011/65/UE + 2015/863/UE

Normas: IEC 62321-4:2013 + A1:2017; IEC 62321-5:2013;
IEC 62321-6:2015; IEC 62321-7-2:2017; IEC 62321-8:2017;



RoHS

Con el desarrollo de los productos y la actualización de los reglamentos CE la declaración puede sufrir cambios. La declaración de conformidad (CE) más reciente se encuentra en la página: www.lanberg.pl.

ATENCIÓN: El uso del símbolo WEEE (contenedor de basura tachado) significa que estos productos no pueden ser tratados como un residuo doméstico. La correcta recuperación de los equipos utilizados permite evitar riesgos para la salud humana y el medio ambiente resultantes de la posible presencia en los equipos de sustancias o mezclas peligrosas, así como de componentes, además del almacenamiento y el procesamiento indebidos de tales equipos. La recogida selectiva también permite recuperar los materiales y componentes con los que fue fabricado el dispositivo. Para conseguir información detallada sobre el reciclado de los presentes productos es necesario contactar con el punto de venta al por menor en el que se realizó la compra o bien con las autoridades locales.

1.3 Contenido del embalaje

The following items should be provided in the shipping packaging:

- (1x) Puerta delantera equipada con dos 2 clavijas de puesta a tierra.
- (2x) Marco lateral del armario con puerta fijada, equipada con 2 pestillos.
- (1x) Tapa superior con pasacables y 2 orificios en el centro para ventiladores de 12x12 cm.
- (2x) Tapón plano para el pasacables superior e inferior.
- (1x) Tapa posterior del armario.
- (4x) Carriles de montaje verticales numerados para el montaje de dispositivos en el estándar RACK.
- (1x) Raíl para el montaje en la pared.
- Accesorios de montaje necesarios en una bolsa con cierre zip: (16x) tornillos con cabeza de estrella M4*8 autorroscantes; (8x) tornillos con cabeza de estrella M5*8 autorroscantes; (8x) tornillos con cabeza de estrella M6*12; (1x) arandela de plástico; (1x) conjunto de puesta a tierra (cable, arandelas, tuercas); (1x) cerradura de la puerta delantera con llavero, dos llaves y lengüeta metálica plana; (2x) cerradura de la puerta lateral con llavero, dos llaves y lengüeta metálica curva; (12x para el tamaño < 12 U; 24x para el tamaño >= 12 U) tornillos con cabeza de estrella M6*12 con tuercas enjauladas M6; (1x) instrucciones en papel.
- (1x) Tapa inferior con pasacables y 4 orificios para tornillos M10 en los laterales y 2 clavijas de puesta a tierra.

1.4 Indicaciones generales sobre seguridad y medidas de precaución

- Se debe respetar estrictamente la especificación del dispositivo durante su uso y al conectarlo a cualquier producto exterior. También deben respetarse las especificaciones de los productos exteriores, a los que el presente dispositivo deba ser conectado.
- Está prohibido utilizar el producto para un funcionamiento fuera de los valores nominales indicados en su especificación. Cualquier daño provocado por una desviación de estos valores durante el uso del dispositivo no está cubierto por la garantía.
- Cualquier instalación, conexión, cableado y circuito en los que sea utilizado el producto debe ser realizado de manera conforme con los reglamentos locales vigentes en materia de electricidad y de tal forma que se elimine el riesgo de tropezar o resbalar con ellos. Utiliza solo cables de alimentación con certificado VDE y CE para la conexión con el dispositivo. Es necesario emplear los mismos procedimientos mencionados en este punto al conectar el cableado al producto, o este mismo a elementos exteriores.
- En el caso de dispositivos exteriores conectados al presente producto, es necesario respetar estrictamente las instrucciones de uso facilitadas por sus fabricantes.
- Para garantizar la seguridad y la conformidad se deben utilizar únicamente componentes conformes con la especificación o las piezas recomendadas por el fabricante.
- Durante la vigencia de la garantía está prohibida la sustitución de cualquier elemento del producto por sus usuarios. Encarga el mantenimiento únicamente a personal técnico cualificado, como, por ejemplo, el servicio técnico del fabricante o un importador autorizado.
- Si fuese necesario el mantenimiento del dispositivo, deberá ser llevado a cabo o supervisado por una persona que disponga de las cualificaciones adecuadas para trabajar con este, así como conocimientos acerca del cumplimiento de las medidas de precaución oportunas. Todo esto de conformidad con los reglamentos vigentes.
- Si fuese necesario el mantenimiento del dispositivo u otras acciones que requieran trabajar en el interior del dispositivo o el contacto con elementos que puedan estar bajo una potencial tensión, antes de llevar a cabo estas acciones se deben respetar las siguientes normas de seguridad: quitarse cualquier pulsera, collar, anillo, reloj u otro objeto metálico de las manos y del cuello y utilizar herramientas con mangos aislados.
- Antes de iniciar el mantenimiento del dispositivo deberá encontrarse cerca una persona que pueda reaccionar y emprender las acciones adecuadas con el fin de ayudar a la persona que realiza el mantenimiento en caso de accidente. La persona que realiza el mantenimiento deberá siempre lavarse las manos tras el trabajo con el dispositivo.
- NUNCA permitas una situación en la que pueda generarse cualquier chispa o llama cerca del dispositivo. La aparición de esta situación puede tener consecuencias muy negativas para las personas y las cosas que se encuentren cerca.
- En caso de incendio, desconecta inmediatamente y (si es posible) sin demoras innecesarias la alimentación de red y avisa a los bomberos de la situación acontecida, llamando al número de emergencias correspondiente al país en el que te encuentres.
- El producto está destinado para un uso en interiores. No se debe reconstruir ni modificar el producto o sus componentes.
- En ningún caso está permitido introducir en el dispositivo productos que no estén destinados para tal fin.
- El fabricante y el distribuidor no son responsables de ningún daño causado como consecuencia de un uso indebido y una manipulación indebida del producto (no conformes con las presentes instrucciones).
- Antes de iniciar acciones relacionadas con la fijación o la desconexión del dispositivo, la conexión o la desconexión de cables en el armario de pared de 19", conecta todos sus elementos a una puesta a tierra verificada y que funcione eficazmente.
- Comprueba que todos los elementos fijados originalmente al armario de pared de 19", así como los equipos fijados por el usuario, están correctamente atornillados o desatornillados cuando se realiza el desmontaje. No es aceptable una situación en la que cualquier elemento del producto o asociado a este no esté correctamente fijado / empleado o suponga un riesgo debido a su aislamiento erróneo de los demás elementos en funcionamiento, que en caso de contacto podrían provocar un riesgo.

1.5 Indicaciones relativas a las normas de seguridad ESD

- Para evitar daños del producto, del sistema o de los subconjuntos eléctricos por una descarga electrostática (ESD) es importante prepararse bien durante el trabajo con ellos y manejarlos con cuidado. En general, las siguientes medidas son suficientes para proteger el producto frente a la aparición de ESD:
- No utilices pulseras metálicas en las manos para evitar descargas estáticas.
- Antes de comenzar el trabajo toca un objeto metálico puesto a tierra.
- Durante el manejo de dispositivos eléctricos se debe evitar el contacto con clavijas, enchufes o cualquier relé de energía.
- Al desplazar elementos electrónicos se recomienda agarrarlos únicamente por sus bordes (aislados), donde no se produce ningún flujo de corriente. No toques los subconjuntos, circuitos integrados, módulos de memoria, contactos, etc.
- Vuelve a meter todos los dispositivos electrónicos en bolsas antiestáticas (si es posible) cuando no son utilizados.

1.6 Transporte

Durante el transporte se debe almacenar el producto única y exclusivamente en el embalaje original con el fin de protegerlo frente a sacudidas y golpes. El embalaje no debe arrojarse a la basura. En caso de enviar un producto en garantía, es obligatorio utilizar la caja original.

1.7 Garantía

No se tiene derecho a la garantía en caso de aparecer averías y defectos causados por un uso o manipulación indebidos del dispositivo (no conformes con las presentes instrucciones). Los daños mecánicos son motivo para rechazar una reclamación. Para enviar una reclamación de garantía o saneamiento de vicios ocultos contacta con tu vendedor.

1.8 Desembalado y control

En presencia del transportista, desembala con cuidado el producto de la caja de transporte y comprueba que:

- El contenido del embalaje incluye los elementos mencionados en el punto 1.3.
- Los elementos no están dañados.

En caso de ausencia, daño o inexactitud en cuanto a los elementos mencionados en el punto 1.3 se debe redactar un acta de daños (en caso de su aparición) y comunicar obligatoriamente este asunto al vendedor. Se requieren: fotografías, número de lote y descripción del problema. Estas acciones deben realizarse el mismo día de la fecha de suministro del producto.



1.9 Almacenamiento y ventilación

- El producto deberá ser instalado únicamente en una localización con acceso limitado (espacios destinados para equipos, etc.).
- No se debe instalar ni almacenar en lugares en los que esté presente agua estancada o corriente, humedad o cualquier otra sustancia líquida.
- Se debe evitar exponer el dispositivo a la acción directa de los rayos solares.
- Coloca el dispositivo en una superficie estable y seca en un lugar bien ventilado. Deja al menos 100 mm de espacio libre alrededor de él para garantizar una ventilación adecuada.
- El dispositivo está destinado para un funcionamiento única y exclusivamente en un entorno controlado (temperatura controlada y humedad del ambiente conforme con la información contenida en la especificación, funcionamiento en el interior de un edificio, sin contaminantes conductores [polvo, gases inflamables, sustancias que produzcan corrosión, etc.]).

2. Montaje

i Se deben respetar estrictamente las recomendaciones contenidas en estas instrucciones.


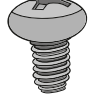
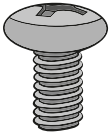

2.1 Preparación

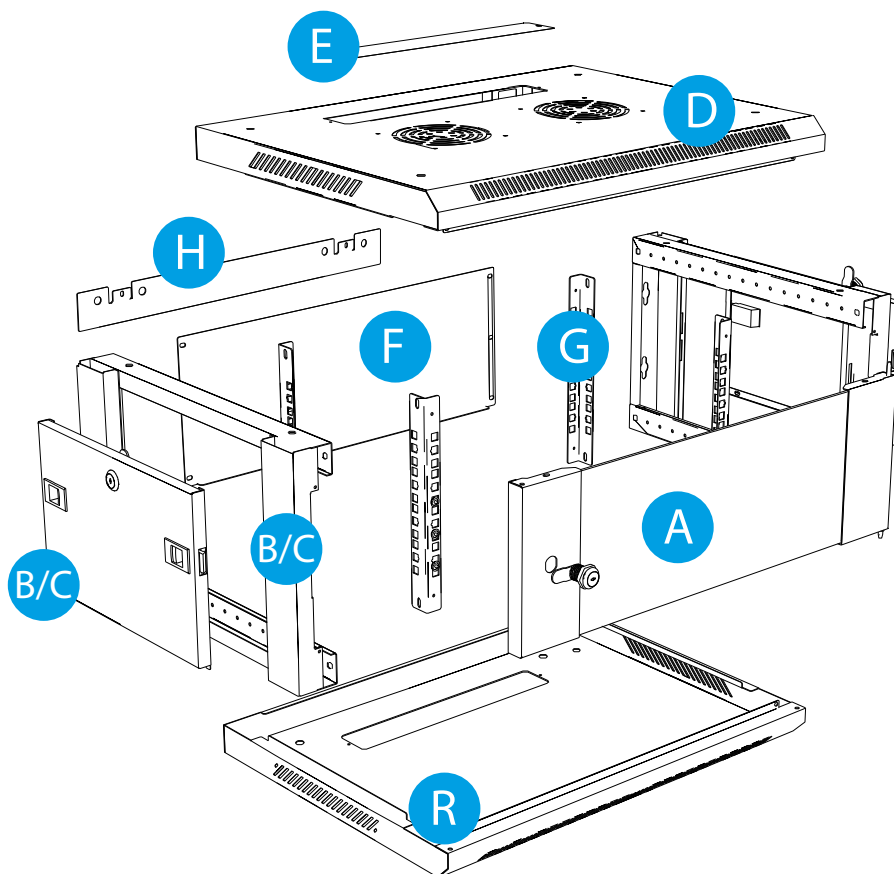
Prepara el espacio adecuado en el soporte sobre el que tendrá lugar el montaje. Saca con cuidado todos los elementos de la caja de transporte. Las siguientes instrucciones de montaje se basarán en el esquema incluido. Prepara también 4 tacos (propios) y 4 tornillos con una capacidad de carga adaptada al peso total previsto del armario y al diámetro de los orificios del rail de montaje en la pared, que es: 4 – Ø 10.

Debido al uso de tornillos con cabeza de estrella M6*12 para fijar la tapa superior e inferior a los marcos laterales, recomendamos preparar un buen destornillador de estrella. La especificación recomendada es PH3x150 mm.

2.1.1. Lista de elementos

Componente	Cantidad suministrada	Símbolo
Puerta delantera acristalada / metálica equipada con dos 2 clavijas de puesta a tierra	1x	A
Marco lateral del armario con puerta fijada, equipada con 2 pestillos	2x	B C
Tapa superior con pasacables y 2 orificios en el centro para ventiladores de 12x12 cm	1x	D
Tapón plano para el pasacables superior e inferior	2x	E
Tapa posterior del armario	1x	F
Carriles verticales de montaje numerados	4x	G
Rail para el montaje en la pared.	1x	H
Tornillo con cabeza de estrella autorroscante M4*8	16x	I
Tornillo con cabeza de estrella autorroscante M5*8	8x	J
Tornillo con cabeza de estrella M6*12	8x	K
Tornillo con cabeza de estrella M6*12 con tuercas enjauladas M6	< 10 U: 12x >= 10U: 24x	L
Arandela de plástico para la puerta delantera	1x	N
Conjunto de puesta a tierra (cable, arandelas, tuercas)	1x	M
Cerradura de la puerta delantera con llavero, dos llaves y lengüeta metálica plana	1x	O
Cerradura de la puerta lateral con llavero, dos llaves y lengüeta metálica curva	2x	P
Tapa inferior con pasacables y 4 orificios M10 en los laterales y 2 clavijas de puesta a tierra.	1x	R

Elemento	Tornillo con cabeza de estrella autorroscante M4*8	Tornillo con cabeza de estrella autorroscante M5*8	Tornillo con cabeza de estrella M6*12	Tornillo con cabeza de estrella M6*12 con tuercas enjauladas M6
	I	J	K	L
Figura				
Cantidad suministrada	16x	8x	8x	< 10 U: 12x >= 10U: 24x

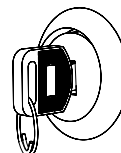


2.2 Montaje del armario de pared 19" de la serie WF01 V2

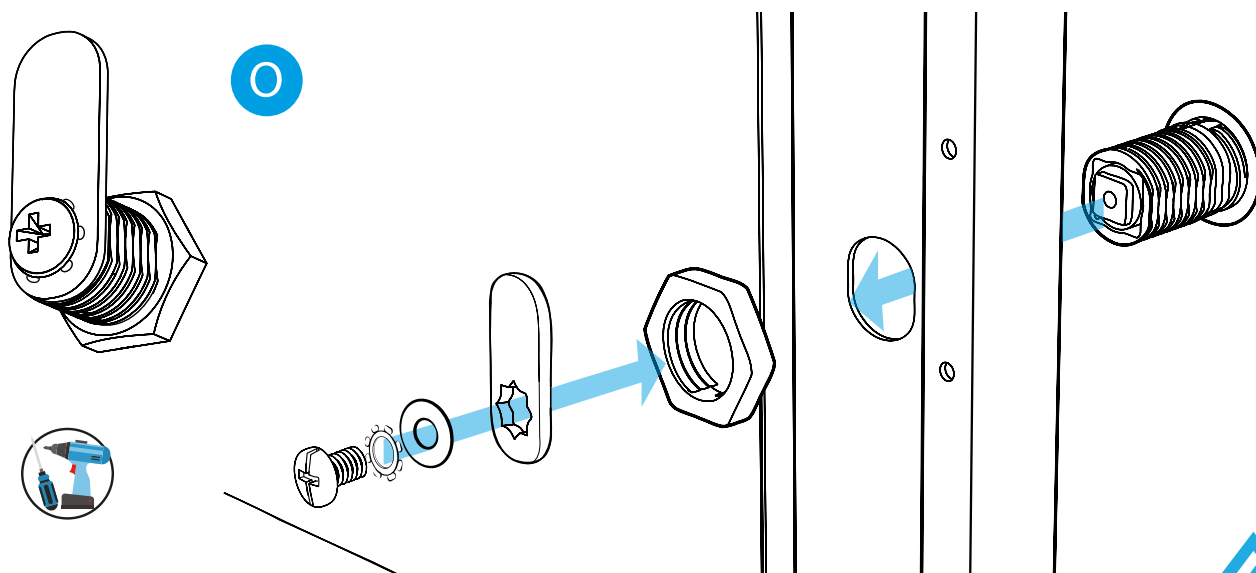
2.2.1. Montaje de la cerradura en la puerta delantera

1. Introduce el módulo de la cerradura de la bolsa con cierre zip marcado con el símbolo [O] a través de la puerta de forma que las dos partes planas paralelas del módulo se encuentren en posición horizontal. Los siguientes pasos harán referencia a los elementos que se encuentran en esta bolsa.

i Coloca el módulo de la cerradura en posición vertical con ayuda de las llaves.



2. Aprieta la tuerca introduciéndola con la parte con los triángulos grabados dirigida hacia la puerta en el módulo de la cerradura. Finalmente, sujeta el módulo de la cerradura mediante las llaves e intenta apretar bien la tuerca.
3. Coloca la lengüeta metálica plana de la cerradura verticalmente (dirigida: hacia arriba si la puerta está colocada como en la siguiente figura o en caso contrario hacia abajo) en el elemento cuadrado del módulo con un orificio para el tornillo. Luego coloca la arandela metálica redonda plana y a continuación la de forma estrellada. Fija el conjunto apretando el tornillo al módulo de la cerradura.

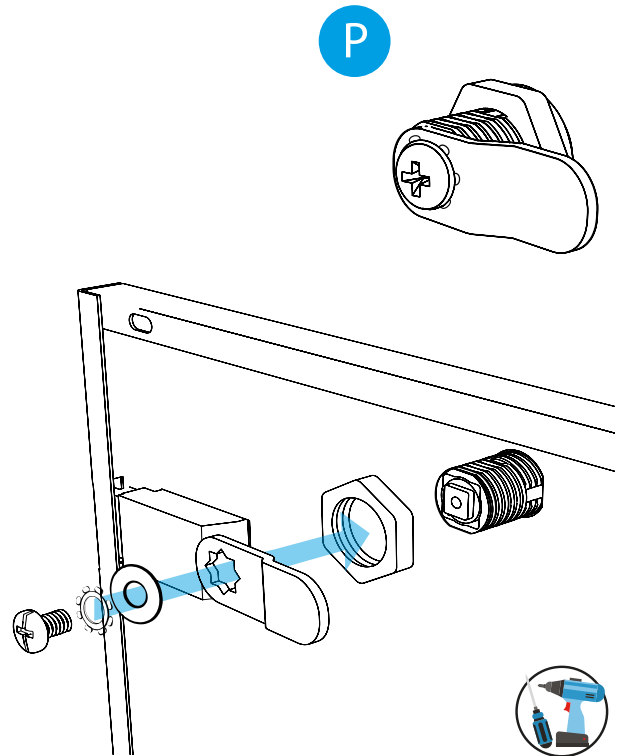


2.2.2. Montaje de la cerradura en las puertas laterales

1. Saca las puertas laterales de los marcos laterales [B + C]. Su nuevo montaje tiene lugar en la etapa final de montaje del armario.
2. Introduce el módulo de la cerradura de la bolsa con cierre zip marcado con el símbolo [P] a través de a puerta de forma que las dos partes planas paralelas del módulo se encuentren en posición horizontal. Los siguientes pasos harán referencia a los elementos que se encuentran en esta bolsa.

i **Coloca el módulo de la cerradura en posición horizontal con ayuda de las llaves.**

3. Aprieta la tuerca introduciéndola con la parte con los triángulos grabados dirigida hacia la puerta en el módulo de la cerradura. Finalmente, sujeta el módulo de la cerradura mediante las llaves e intenta apretar bien la tuerca.
4. Coloca la lengüeta metálica curva de la cerradura en posición horizontal (la parte doblada dirigida hacia la puerta) en el elemento cuadrado del módulo con un orificio para el tornillo. Luego coloca la arandela metálica redonda plana y a continuación la de forma estrellada. Fija el conjunto apretando el tornillo al módulo de la cerradura.
5. Realiza de igual forma los pasos 1 ~ 4 para la otra puerta lateral [C].



2.2.3. Montaje de los carriles de montaje verticales

i **Antes de continuar con el montaje presta atención a dónde se encuentran la parte delantera y posterior de los marcos laterales [B + C].**

La distancia entre los centros de los orificios pequeños situados en los marcos laterales [B + C] es de 25 mm. La distancia máxima (profundidad de trabajo) entre los carriles de montaje verticales delanteros y posteriores (teniendo en cuenta su grosor) es:

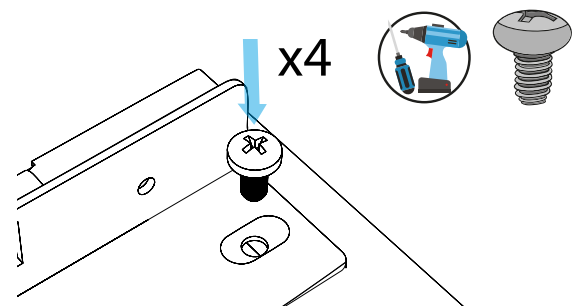
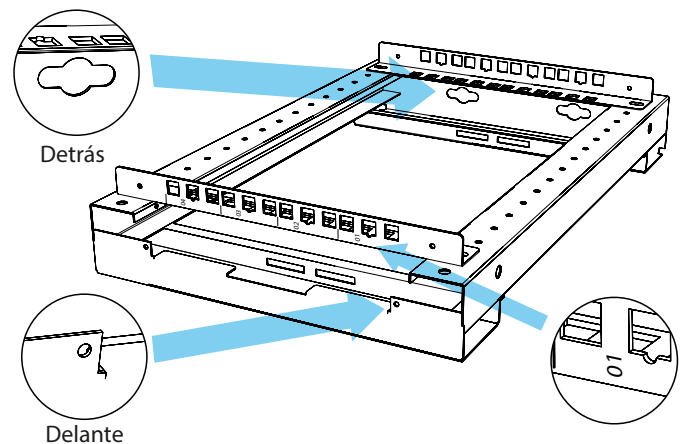
- i** **I) Para armarios de pared de longitud total 450 mm: 379.5 mm.
II) Para armarios de pared de longitud total 600 mm: 529.5 mm.**

No obstante, se recomienda el montaje de los carriles de montaje posteriores en los terceros orificios desde el extremo, situados en los marcos laterales (diferencia 50 mm), para dejar sitio para los dispositivos con el enchufe y el cable (en promedio, unos 55 mm).

1. Coloca los dos marcos laterales en una posición plana [B + C] (sin las puertas montadas), de manera que estén dirigidos con la parte delantera hacia ti.
2. Utiliza 2 carriles de montaje verticales numerados [G] y elige la distancia requerida entre ellos en el marco lateral izquierdo [B].

i **Es necesario prestar atención a que la numeración de los carriles verticales delanteros aumente de derecha a izquierda (mirando en la figura presentada) y análogamente para los posteriores.**

3. Utiliza en total 4 tornillos con cabeza de estrella M5*8 [J] para fijar los carriles de montaje verticales al marco lateral: 2 en cada extremo del carril.

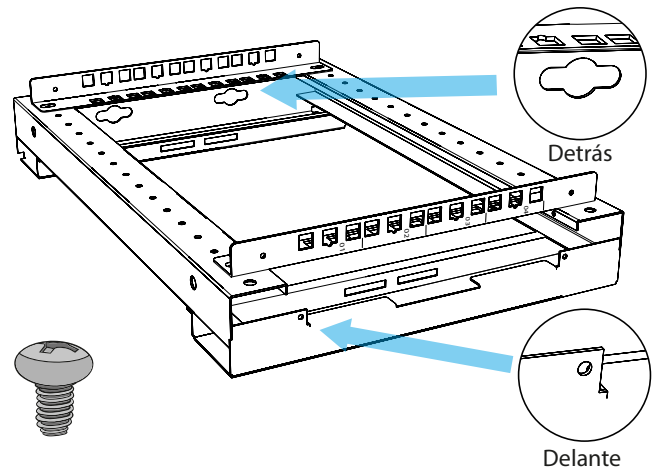


- Utiliza 2 carriles de montaje verticales numerados [G] y elige la misma distancia que en el punto 2 en el marco lateral derecho [C].



Es necesario prestar atención a que la numeración de los carriles verticales delanteros aumente de izquierda a derecha (mirando en la figura presentada) y análogamente para los posteriores.

- Utiliza en total 4 tornillos con cabeza de estrella M5*8 [J] para fijar los carriles de montaje verticales al marco lateral: 2 en cada extremo del carril.



2.2.4. Montaje de los marcos laterales con la tapa inferior y superior

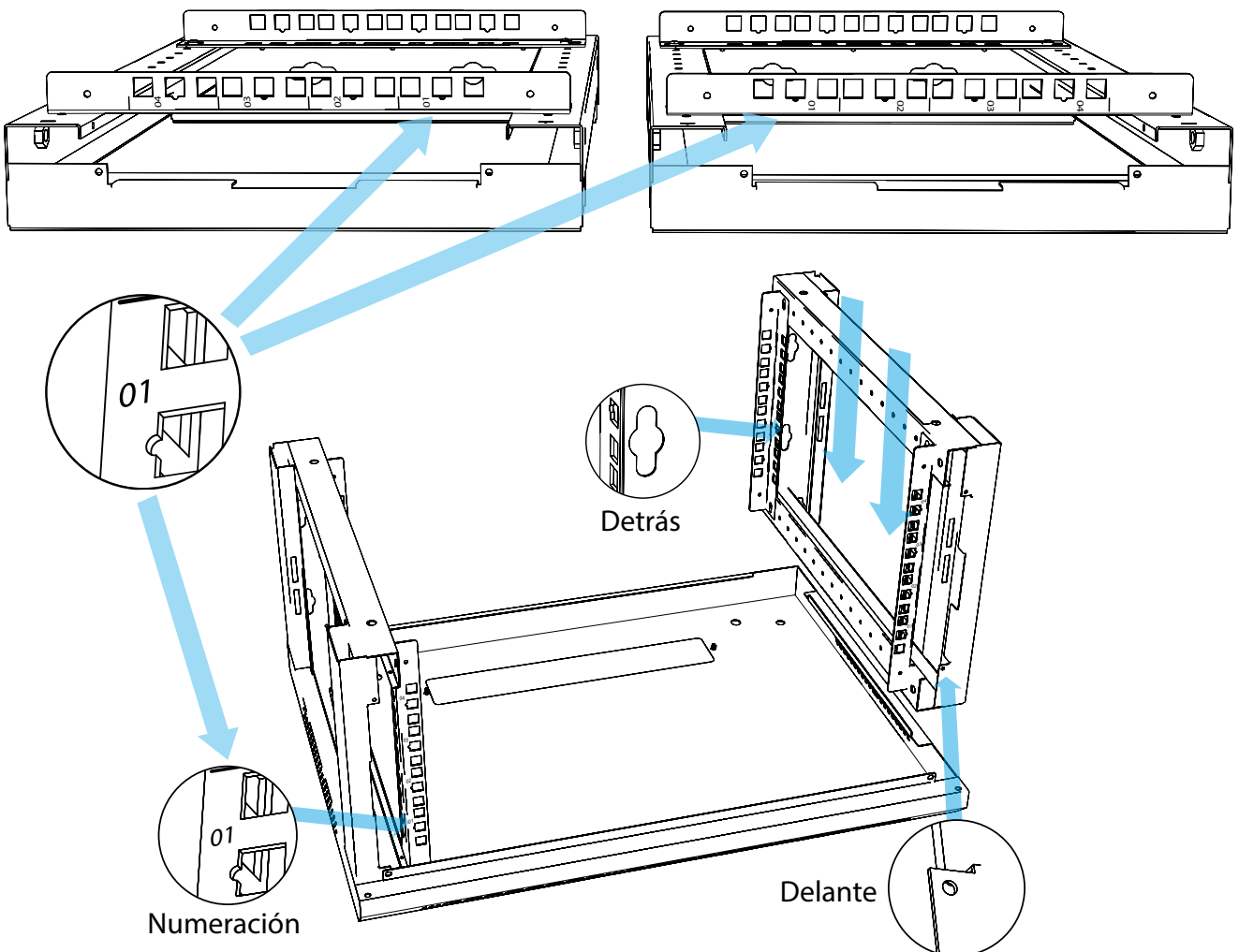
- Prepara la tapa inferior [R] de tal forma que el pasacables se encuentre detrás.
- Coloca el marco lateral izquierdo [B] en la parte izquierda de la tapa inferior y el marco lateral derecho [C] en la parte derecha de la tapa.



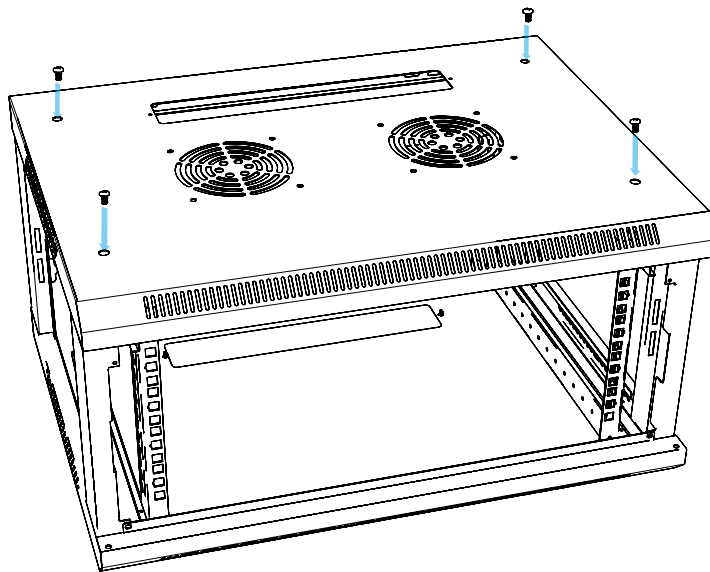
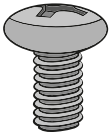
Antes de pasar a la siguiente etapa del montaje, comprueba que:

I) La numeración aumenta desde la tapa inferior a la superior en los carriles de montaje delanteros y posteriores.

II) Las parejas de carriles opuestos están montados con las mismas longitudes.

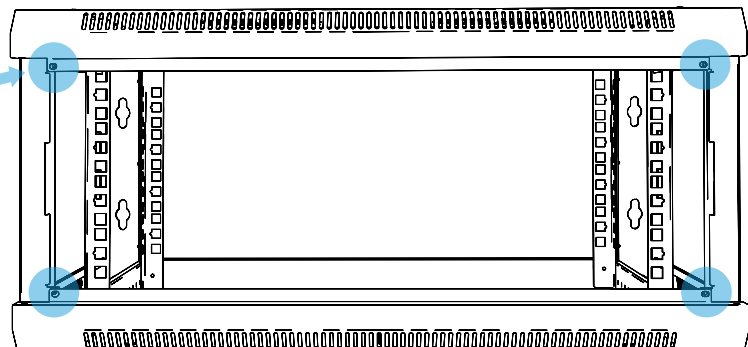
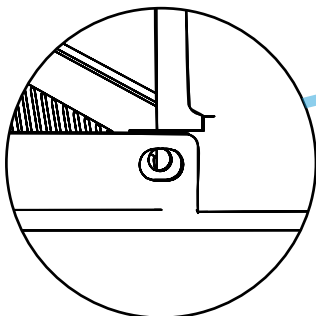


- Coloca la tapa superior [D] con el pasacables situado detrás en los marcos laterales [B + C] y ajústala a su estructura.
- Utiliza en total 4 tornillos con cabeza de estrella M6*12 [K] para fijar la tapa superior a los marcos laterales: 2 en cada lado.

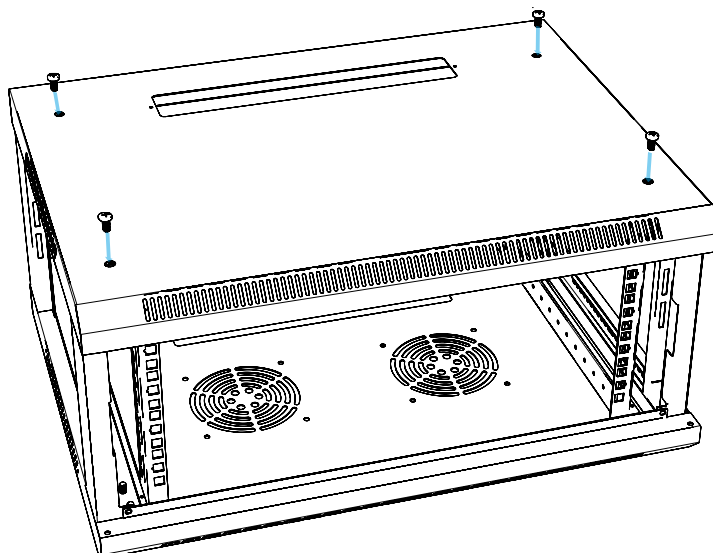
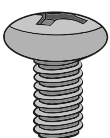


i Recuerda:

- Prestar sistemáticamente atención al ajuste de la tapa superior [D] a los orificios de los marcos laterales [B + C]. ¡No aprietes todos los tornillos al 100%! Introdúcelos en primer lugar todos a 2/3 de altura, comprueba el ajuste, y a continuación apriétalos todos.**
- Prestar también atención a que los orificios pequeños para los tornillos M4*8 [I] situados en la parte delantera de ambas tapas, así como de los marcos laterales, se correspondan entre sí.**



- Gira toda la estructura 180 grados. Ajusta la tapa inferior [R] a la estructura de los marcos laterales.
- Utiliza en total 4 tornillos con cabeza de estrella M6*12 [K] para fijar la tapa inferior a los marcos laterales: 2 en cada lado.

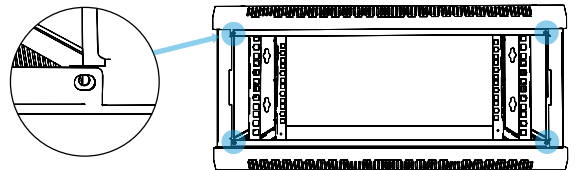




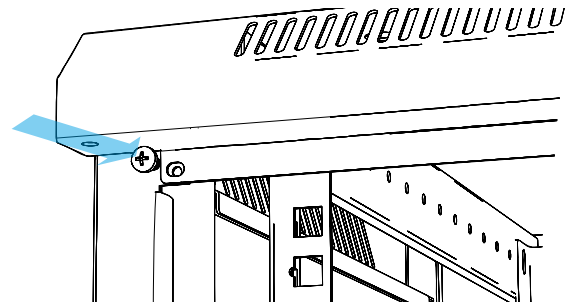
Recuerda:

I) Prestar sistemáticamente atención al ajuste de la tapa inferior [R] a los orificios de los marcos laterales [B + C]. ¡No aprietes todos los tornillos al 100%! Introdúcelos en primer lugar todos a 2/3 de altura, comprueba el ajuste, y a continuación apriétalos todos.

II) Prestar también atención a que los orificios pequeños para los tornillos M4*8 [I] situados en la parte delantera de ambas tapas, así como de los marcos laterales, se correspondan entre sí.

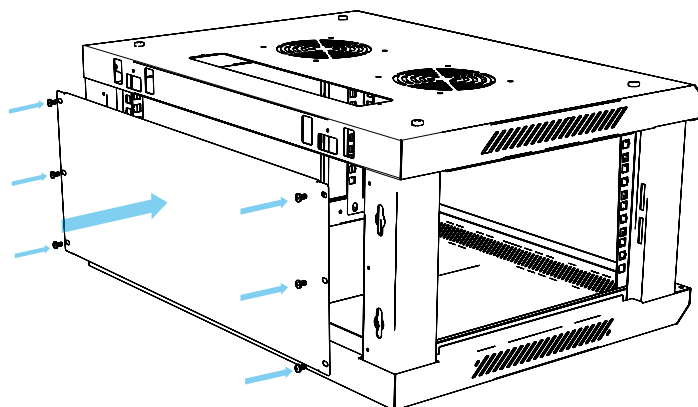


- Utiliza en total 4 tornillos con cabeza de estrella autorroscantes M4*8 [I] para fijar la parte delantera de ambas tapas [D + P] con los marcos laterales [B + C]: 1 a cada lado.



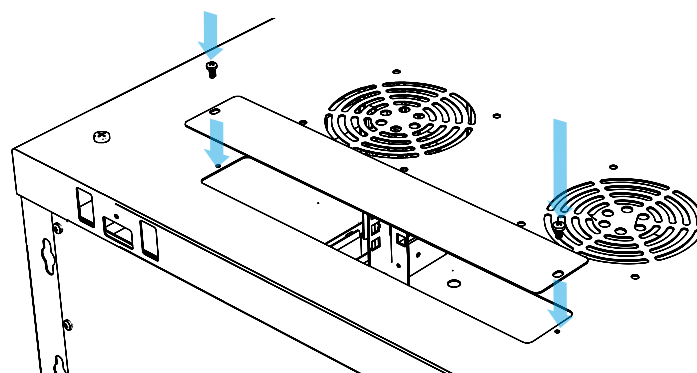
2.2.5. Montaje de la tapa posterior

- Ajusta la tapa posterior [F] de forma que sus 6 orificios se correspondan con los 6 orificios situados en la parte posterior de los marcos laterales [B + C].
- Utiliza en total 6 tornillos con cabeza de estrella M4*8 [I] para fijar la tapa posterior a los marcos laterales: 3 en cada lado.



2.2.6. Montaje de los tapones planos

- Ajusta el tapón plano [E] al pasacables inferior de la tapa de manera que los orificios para los tornillos de ambos elementos se correspondan.
- Utiliza en total 2 tornillos con cabeza de estrella M4*8 [I] para fijar el tapón al pasacables inferior: 1 en cada lado.
- Gira la estructura del armario 180 grados.
- Ajusta el siguiente tapón plano [E] al pasacables superior de la tapa de manera que los orificios para los tornillos de ambos elementos se correspondan.
- Utiliza otros 2 tornillos con cabeza de estrella M4*8 [I] para fijar el tapón al pasacables superior: 1 en cada lado.



3. Montaje del armario en la pared

1. Prepara 4 tacos (propios) y 4 tornillos con una capacidad de carga adaptada al peso total previsto del armario al diámetro de los orificios del raíl de montaje en la pared, que es: 4 - Ø 10. La distancia entre los centros de los orificios más grandes situados en el raíl en un lado es de 69 mm y entre los centros de los orificios más grandes situados en los extremos del raíl (izquierdo y derecho) es de 468 mm.

2. Ajusta el raíl de montaje en la pared **[H]** a la superficie de la pared y nivélalo.

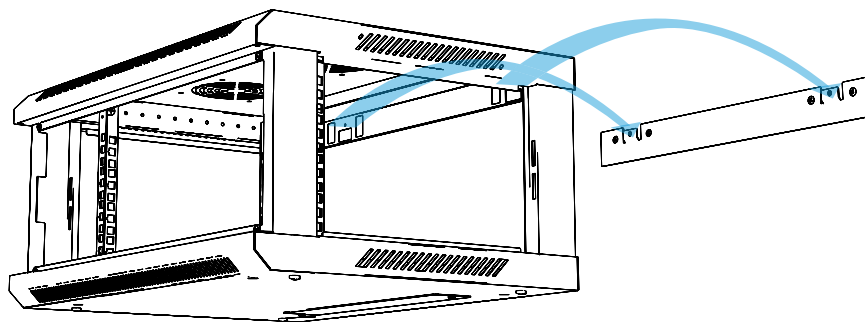
3. Dibuja los 4 bordes de los orificios del raíl (sin tener en cuenta los de los enganches).

4. Taladra 4 orificios en el lugar de los contornos y a continuación introduce los tacos.

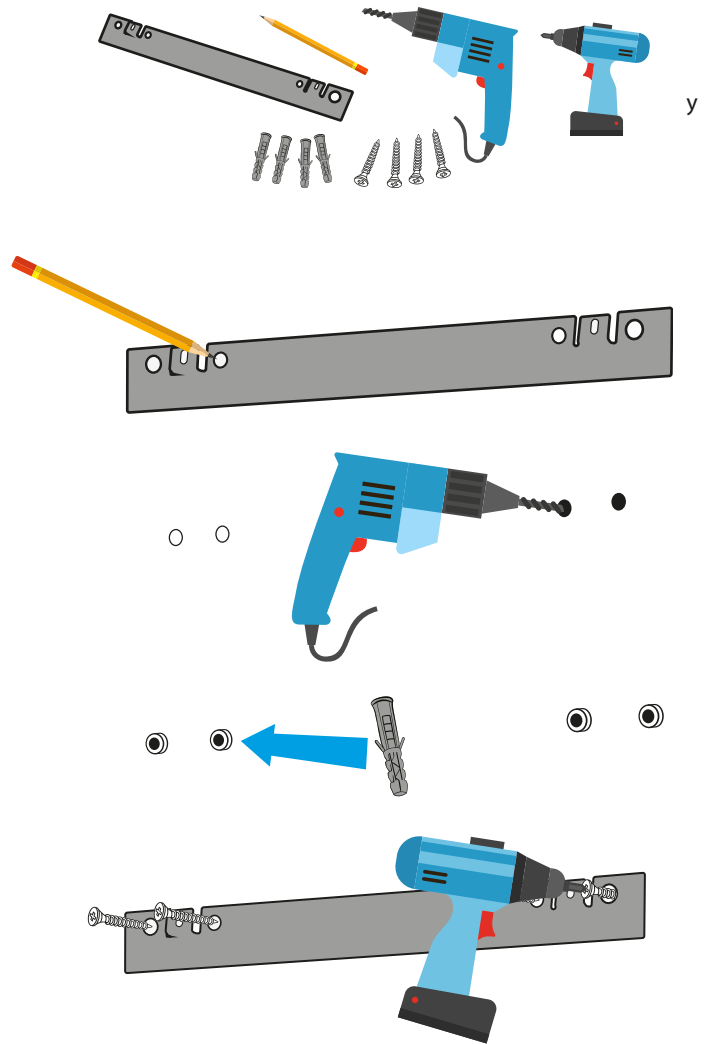
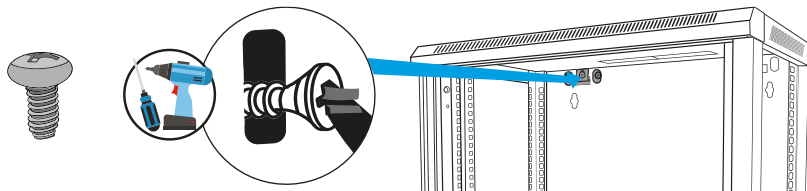
5. Vuelve a ajustar el raíl de forma que entre sus 2 enganches (en forma de letra «L») y la pared haya espacio para colgar el armario.

6. Atornilla los 4 tornillos en los tacos. En primer lugar los 2 orificios exteriores (1 a cada lado) y a continuación los 2 interiores.

7. Cuelga el armario montado sujetando los 2 orificios situados detrás en la parte superior de la tapa superior **[D]** en los 2 enganches del raíl.

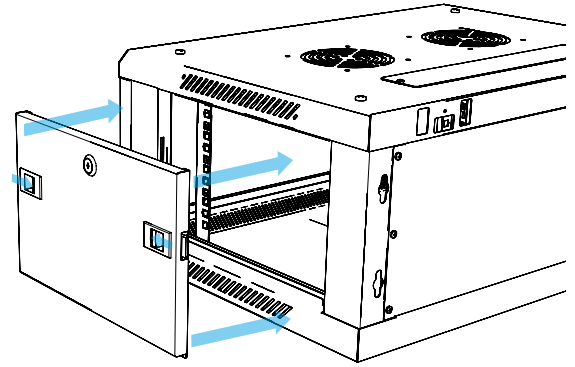


8. Mediante 2 tornillos con cabeza de estrella autorroscantes M4*8 **[I]** atornilla la estructura posterior del armario a los 2 enganches situados en el raíl para el montaje en la pared.



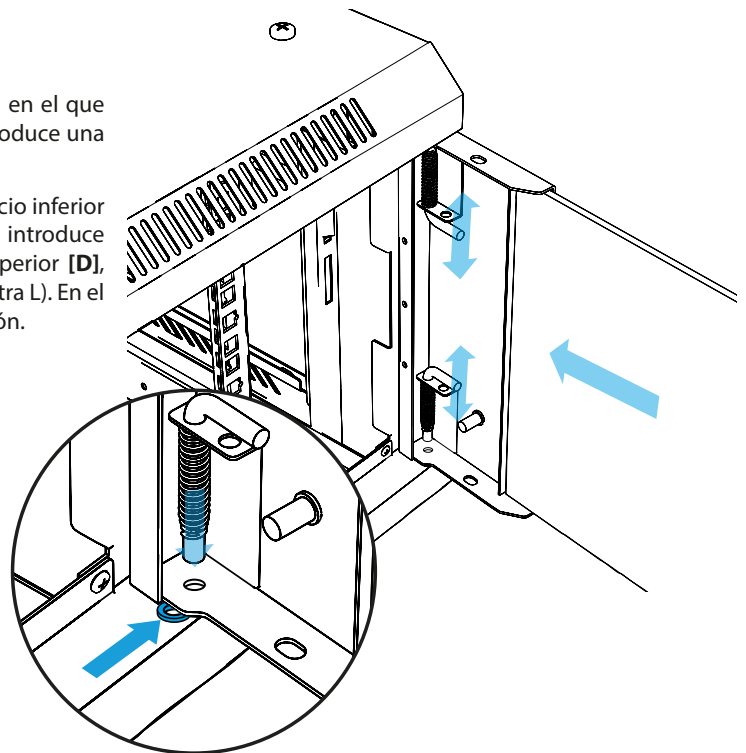
4. Montaje de las puertas laterales

1. Vuelve a montar las puertas laterales, que tuvimos que retirar en una etapa previa del montaje, en los marcos laterales **[B + C]** presionando simultáneamente hacia dentro los 2 pestillos y, en el momento en que estén a la altura de los orificios de los marcos, libera la presión.
2. Utilizando las llaves **[P]** cierra las puertas de los marcos laterales.



5. Montaje de la puerta delantera

1. En uno de los orificios inferiores de la tapa inferior **[R]** en el que planees colocar el perno de la puerta posterior **[A]** introduce una arandela de plástico **[N]**.
2. Introduce el perno de la puerta delantera **[A]** en el orificio inferior a través de la arandela de plástico y a continuación introduce el perno superior en el orificio situado en la tapa superior **[D]**, presionando hacia el centro las bisagras (en forma de letra L). En el momento en que esté al nivel del orificio libera la presión.
3. Utilizando las llaves **[O]** cierra la puerta delantera.



6. Montaje de la puesta a tierra

En el armario se han colocado 4 clavijas de puesta a tierra de diámetro 6 mm:

- 2 en la puerta delantera **[A]**.
- 2 en la tapa inferior **[R]**.

En el conjunto se incluye un cable de puesta a tierra **[M]**. Está formado por 42 hilos fabricados de cobre puro (100% Cu) de 0,16 mm cada uno. La sección del cable es de ~0.9 mm². El cable sirve para conectar la tapa inferior con la puerta delantera (con posibilidad de apertura con un ángulo de hasta 180°).

Para conectar una de las clavijas principales de puesta a tierra del armario (situadas en la tapa inferior) con la conexión de compensación es necesario comprar un cable independiente de la longitud adecuada. Su AWG deberá estar en el intervalo 17 ~ 18 y los hilos deberán estar fabricados solo de cobre puro (100% Cu).

