

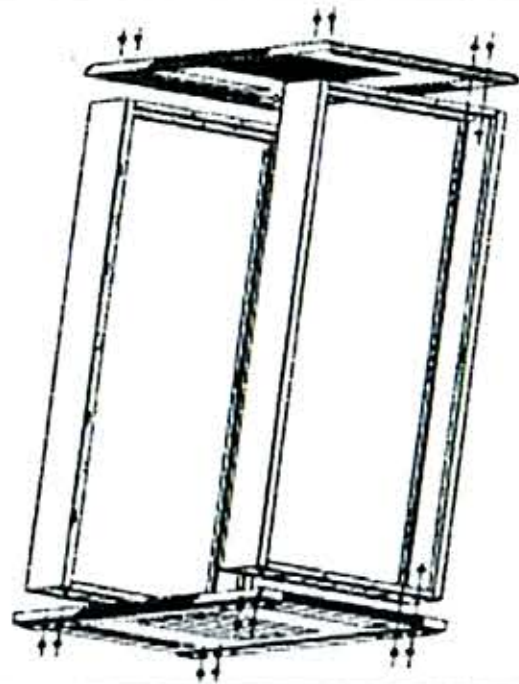
CABLEMATIC JB Server Rack Assembly Manual

Packing list

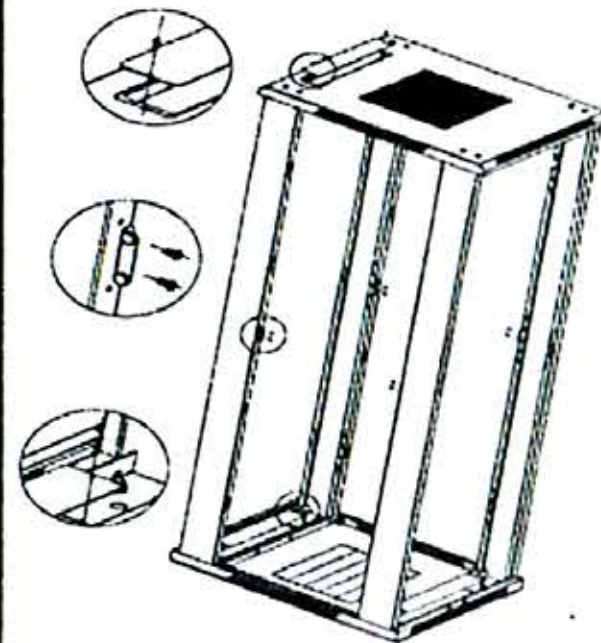
- | | |
|---------------------------|-----------------------------------|
| 1、Bottom Tray - 1pcs | 8、Rear Door - 1pcs |
| 2、Top Tray - 1pcs | 9、Shelves - |
| 3、Frame - 2pcs | 3pcs(for over 42U-high) |
| 4、Horizontal Support - | 2pcs(from 32U-high to 42U -hight) |
| 4pcs(for under 32U-high) | 1pcs(for under 32U-high) |
| 6pcs(for over 32U-high) | 10、 Fan Tray - 1pcs |
| 5、Vertical Support - 4pcs | 11、 Cover Panel - 3pcs |
| 6、 Side Door - 2pcs | |
| 7、 Front Door - 1pcs | |

Accessories Package list

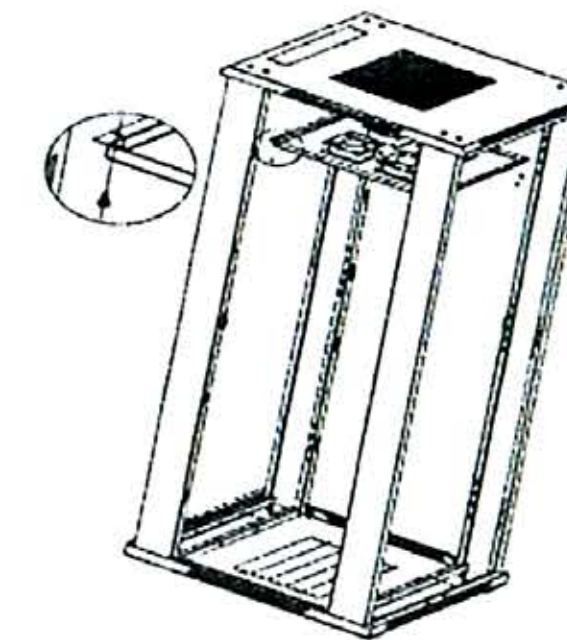
- | | |
|---------------------------------------|-------------------------------------|
| 1、 M12*L90 Supporting Leg- 4pcs | 8、 M4*8 Self-tapping Screw - 18pcs |
| 2、 Castor- 4pcs | 9、 M6*12 Self-tapping Screw - 16pcs |
| 3、 Anti-skid Stop - 4pcs | 10、 M6 Cage Nut - |
| 4、 M8*12 Hexagon Socket Screw - 16pcs | 60pcs(for over 42U-high) |
| 5、 M8 Flange Nut - 16PCS | 56pcs(from 32U-high to 42U -hight) |
| 6、 M6*12 Screw - | 36pcs(for under 32U-high) |
| 60pcs(for over 42U-high) | 11、 M6 Plastic Washer - |
| 56pcs(from 32U-high to 42U -hight) | 60pcs(for over 42U-high) |
| 36pcs(for under 32U-high) | 56pcs(from 32U-high to 42U -hight) |
| 7、 4mm Plastic Washer - 2pcs | 36pcs(for under 32U-high) |



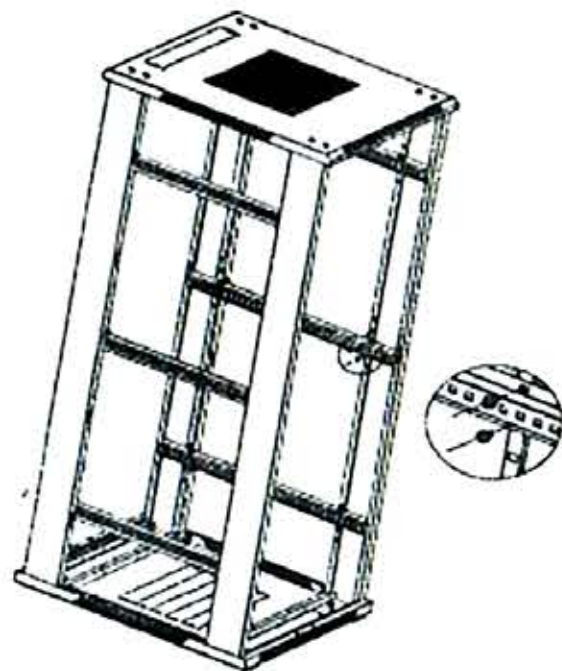
Step1:
Use 16pcs of M8*12 hexagon socket screws and 16pcs of M8 flange nuts to assemble the top tray, bottom tray and frame .
Refer to the left picture.



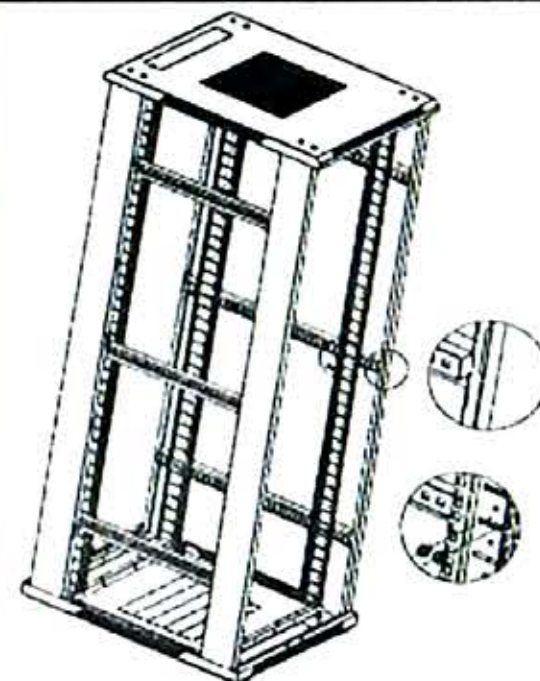
Step2:
Use 6pcs of M4*8 self-tapping screws to assemble the top cover. Use 8pcs of M4*8 self-tapping screws to assemble the anti-skid Stop .
Refer to the left picture.



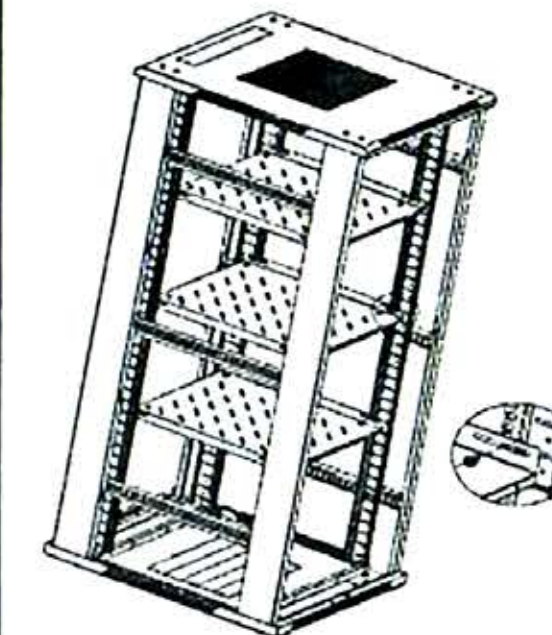
Step3:
Use 4pcs of M4*8 self-tapping screws to assemble the fan tray.
Refer to the left picture.



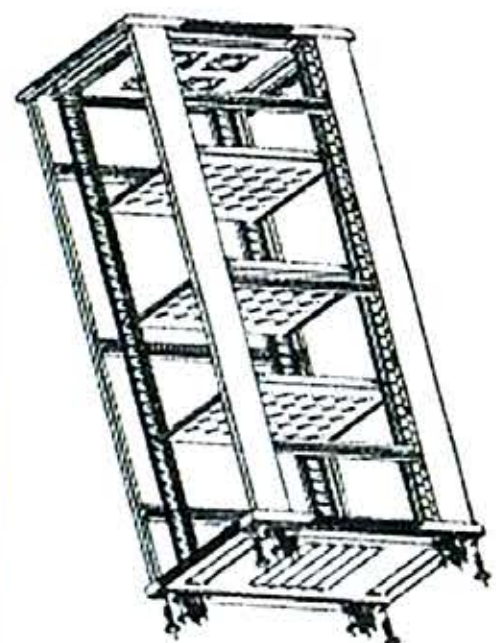
Step4:
Use 24pcs of M6*12 screws, M6 cage nuts and M6 plastic washers to assemble the horizontal supports.
Refer to the left picture.



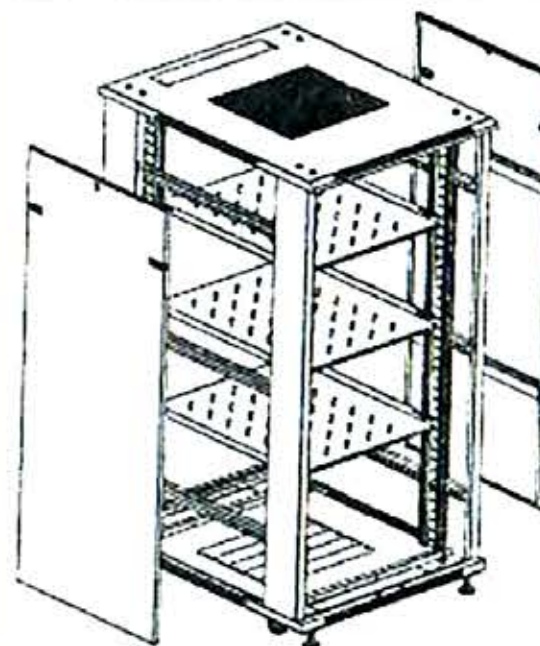
Step5:
Use 24pcs of M6*12 screws, M6 cage nuts and M6 plastic washers to assemble the vertical supports.
.Refer to the left picture.



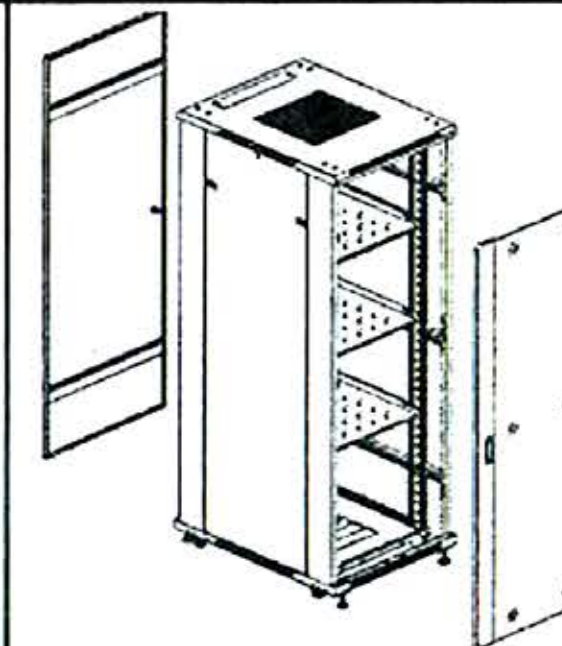
Step6:
Use 12pcs of M6*12 screws, M6 cage nuts and M6 plastic washers to assemble the shelves.
Refer to the left picture.



Step7:
Use 16pcs of M6*12 self-tapping screws to assemble the castors. And assemble the M12*L90 supporting leg.
Refer to the left picture.



Step8:
Free tools assemble the two side doors.
Refer to the left picture.



Step9:
Use 4mm plastic washers to assemble the front door and rear door.
Refer to the left picture.