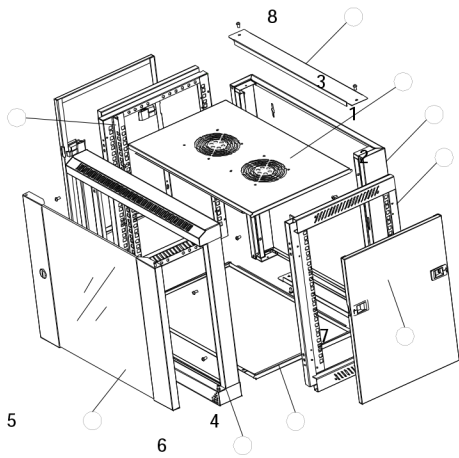


WALL BOX MANUAL ASSEMBLY



Packing list

- Back frame---1pc
- Side frame---2pcs
- Top---1pc
- Bottom---1pc
- Front door---1pc
- Front frame---1pc
- Side panel---2pcs
- Cable entry plate ---2pcs
- 19" mounting rails ---2pcs
- Package of accessories

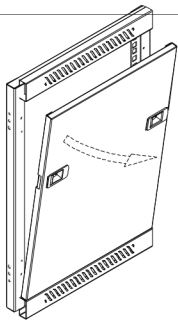
Item list of accessories package

- M5X10 self-tapping screws---14pcs
- M6X12 screws ---21U & More than 12U, 12pcs less than 21U, 8pcs
- M6X12 screws & square nuts---12U & less than 12U, 10SET More than 12U, 20SET

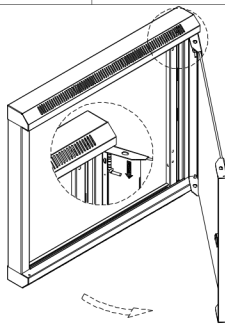
Tip: Check the quantities of the items after open package, ensure the quantities is right to improve the assembly efficiency.

ATTENTION:

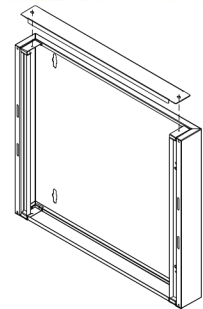
please remove front/back door and side plane from the frame prior to unpacking



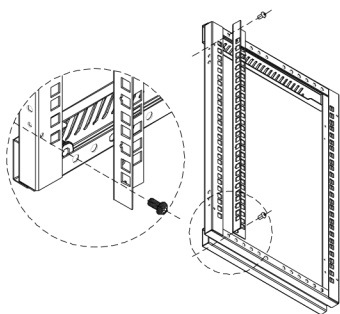
【1】 Remove □ from □, put them separate for the preparation of the frame assembly.



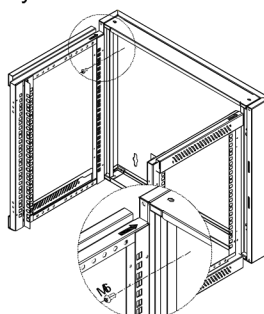
【2】 Open the front door by key, pull the door latch downward, refer to the picture, remove the front door from front frame, put them separate for the preparation of the frame assembly.



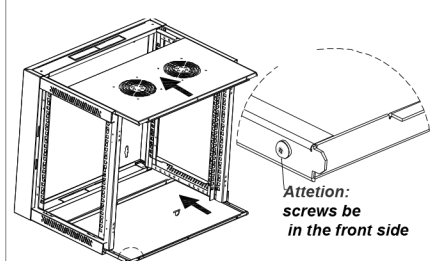
【3】 Fix the top and bottom of the back frame by 4 pcs of M5*10 Self-tapping screw.



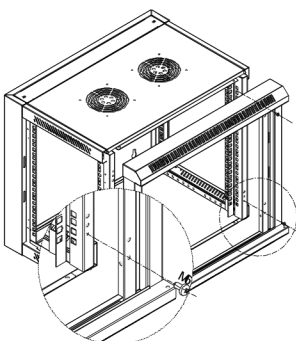
【4】 Fix 19" mounting rails to the first holes of top & bottom of side frames by 4sets of M5 screws.



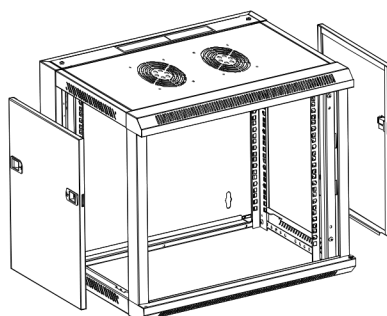
【5】 Install side frames to the grooves of back frame by 4pcs of M6*12 screws (6pcs if more than 18U) as shown by the arrow in the picture, note 19" mounting rails are in the front side.



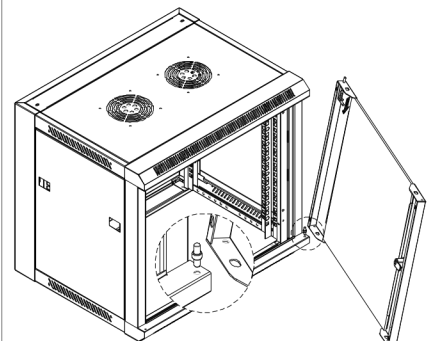
【6】 Install top and bottom as shown by the arrow in the picture.
Tip: Please note the direction when install bottom, screws will be in the front side, please refer to picture.



【7】 Install front frame by 4pcs of M6*12 screws (6pcs of M6*12 screws if more than 18U), refer to the picture.



【8】 Install side panels, refer to the picture



【9】 Repetition step 2, install front door.
Tip: AVW enclosure is the bolted structure, need to adjust the diagonal size of enclosure after the assembly, ensure homogeneous space for all doors and doors work well.

Quick assemble wall mount cabinet

Features:

- Bolted and stable structure, cabinets could be assembled in 5 minutes.
- Reversible 5mm toughened glass front door with lock.
- Removable side panels with side pins, side locks are optional for protection.
- Cable entries on both of top cover and bottom panel.
- Wall mounted panel locked from inside with screw, avoid to be stolen or dropped off.
- Delivery in flat packing in 1 carton box to save shipping space and storage.

Specifications:

- Material: SPCC cold rolled steel
- Thickness: Mounting rails: 1.5mm; others: 1.0mm
- Surface finishing: Degreasing, pickling, phosphoric, powder coated
- Static loading capacity: 60kgs

Standards:

- ANSI/EIA RS-310-D,
- IEC60297-2; DIN41494, PART1; DIN41494, PART7
- Compatible with 19" International Standards, ETSI



Standard side panel



Top



Optional front door

Optional accessories:



1U cantilever shelf



PDU



L rail

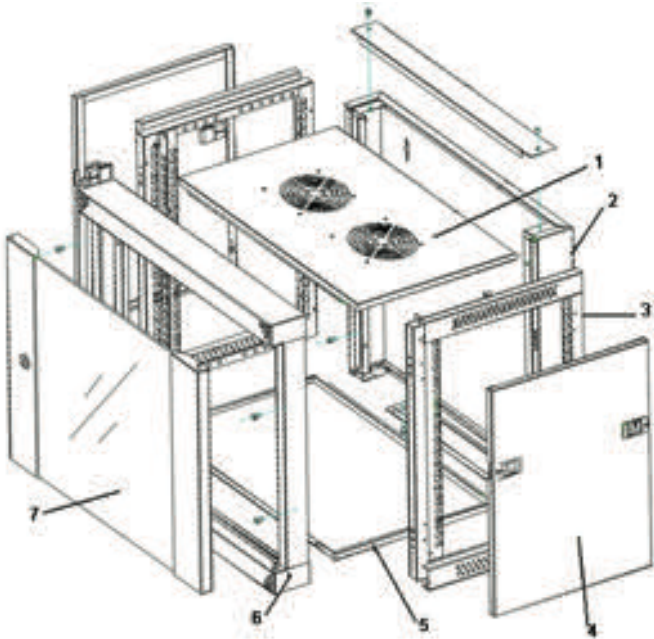


1U cable manager



Quick assemble wall mount cabinet

Structure of cabinet



Front door options:

- 1-1: toughened glass door, with small round lock
- 1-2: toughened glass door with stripped hole border, with small round lock
- 1-3: toughened glass door with net hole border, with spring lock
- 1-4: metal plate door, with small round lock
- 1-5: perforated door, with spring lock

Main parts:

S/N	Specification	Qty	Unit	Material	Surface finishing	Remark
1	Top	1	pc	SPCC	Powder coated	---
2	Back frame	1	pc	SPCC	Powder coated	---
3	Side frame	2	pc	SPCC	Powder coated	---
4	Side panel	2	pc	SPCC	Powder coated	---
5	Bottom	1	pc	SPCC	Powder coated	---
6	Front frame	1	pc	SPCC	Powder coated	---
7	Toughened glass front door (1-3)	1	pc	SPCC	Powder coated	Spring lock
8	Cable entry cover	2	pc	SPCC	Powder coated	---

Specifications:

Model No.	Width (mm)	Depth (mm)	Capacity	Height (mm)	Assembled packing dimension (mm)	SKD Volume (cbm)
AVW.5404	570	450	4U	280	590*470*300	0.04
AVW.5406			6U	370	590*470*390	0.043
AVW.5409			9U	500	590*470*520	0.051
AVW.5412			12U	635	590*470*655	0.064
AVW.5415			15U	770	590*470*790	0.077
AVW.5418			18U	900	590*470*920	0.09
AVW.5422			22U	1080	590*470*1100	0.11
AVW.5606			600	600	6U	370
AVW.5609	9U	500			590*620*520	0.051
AVW.5612	12U	635			590*620*655	0.064
AVW.5615	15U	770			590*620*790	0.077
AVW.5618	18U	900			590*620*920	0.09
AVW.5622	22U	1080			590*620*1100	0.11

Remark: ① these items are not shown in the drawing, but they are the standard parts of cabinets.

