

Kg

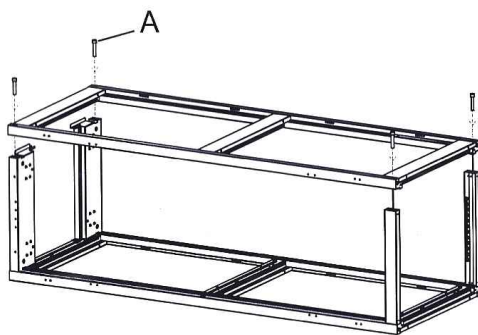
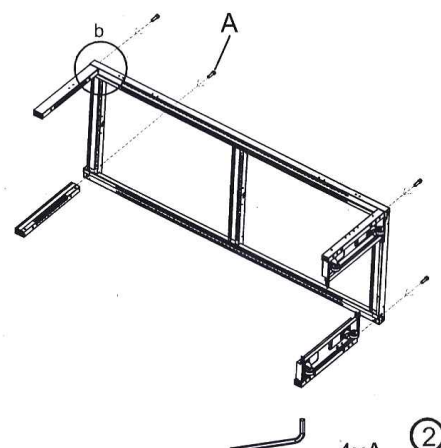
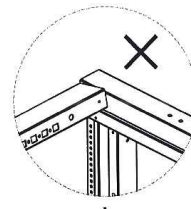
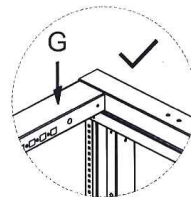
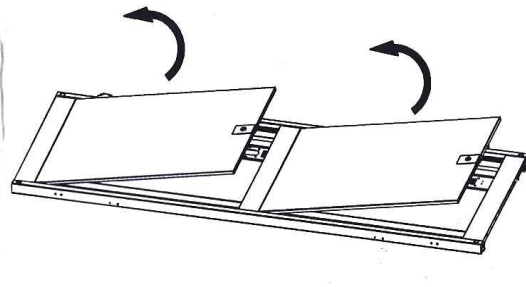
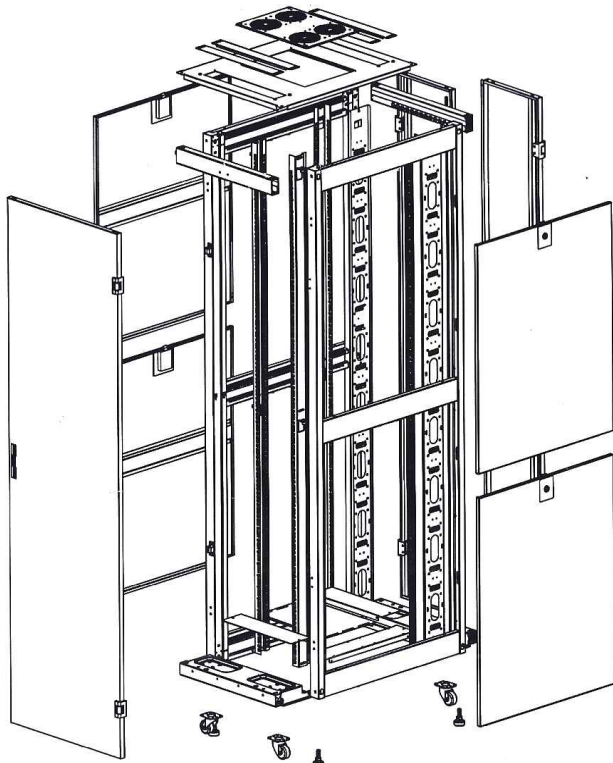
**Max.
1300kg**

Required for installation

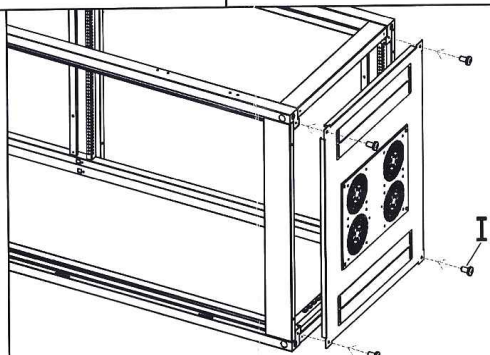


SUPPLIED PARTS AND HARDWARE

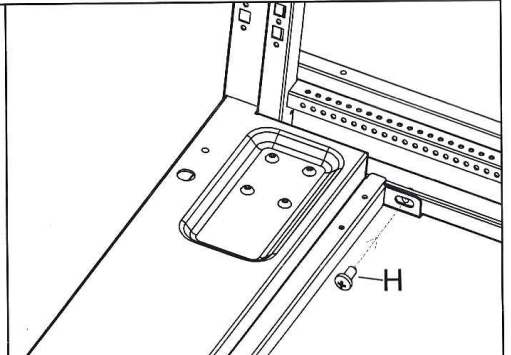
8x M12X40 bolt A	4x M12 Adjustable feet B	1x Allen key C	CABINETS INSTALLATION MANUAL D	M6 20(24U)/40(42U) SET E	M6X12 F	2x One single door A double door Chain stopper G	4x Two single door Chain stopper H	4x Chain stopper I
M6X15 bolt G	M6X12 bolt H	M5X10 bolt I	The key J	Plastic decorative cover L	giveaways M			



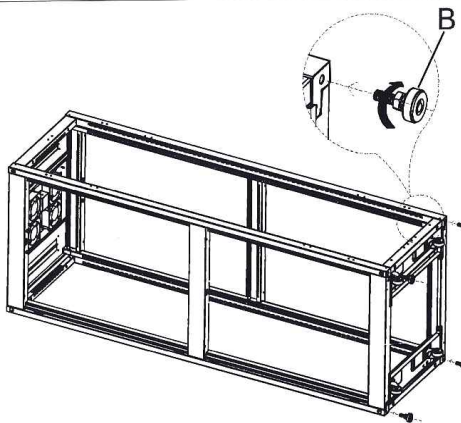
After assembling, if the diagonal framework is more than 4mm, it is required to loosen the bolts and then reassembled



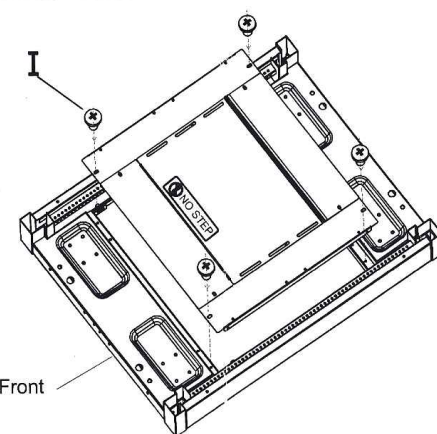
For the cabinet over 800 depth, the fans should be assembled closed to the rear door.



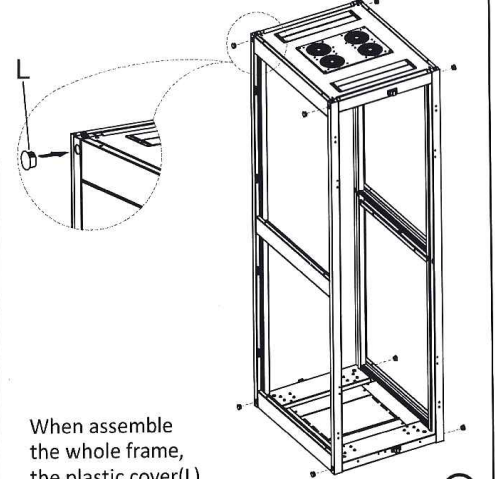
Cross recessed screw head		
Plum-shaped screw head		



After assembling, the M12 feet should be under (shorter than) the castors in case of breaking when set up the cabinet!



When assemble the bottom frame, the sticker side should face to the front door.

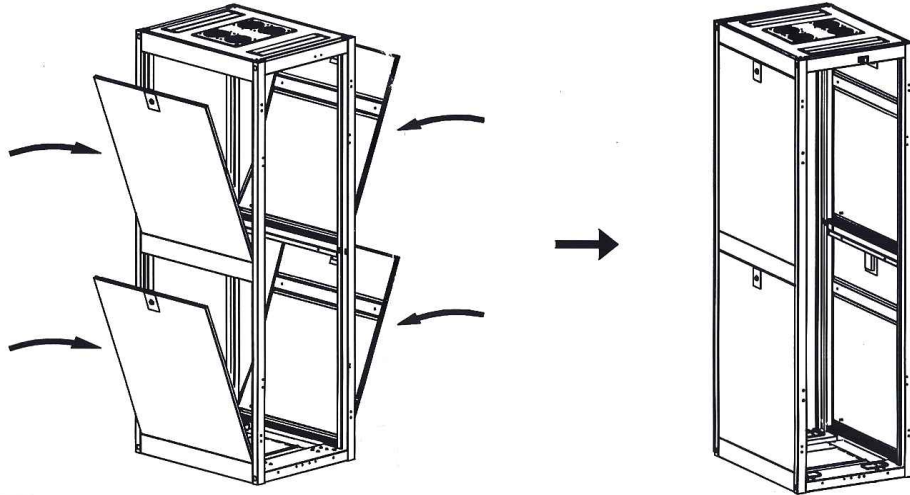


When assemble the whole frame, the plastic cover(L) should be removed.



9

When assembling the side panels, it is necessary to lock the panels and remove the keys in case of falling down!

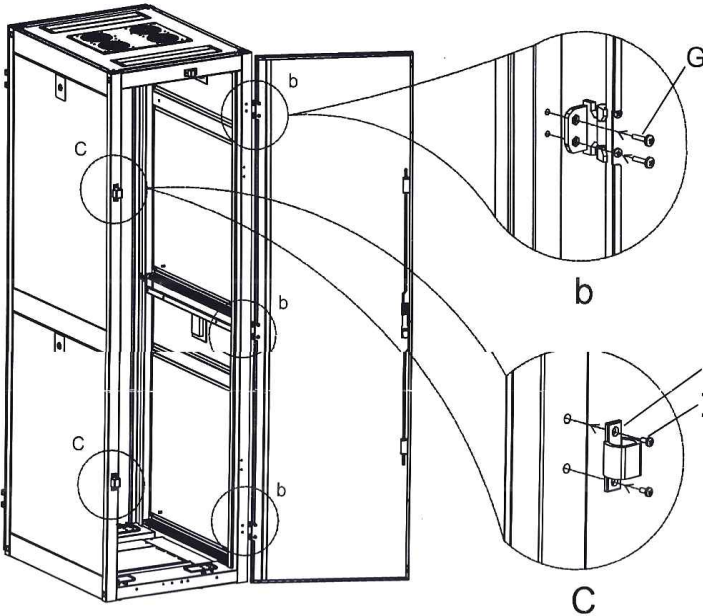


10

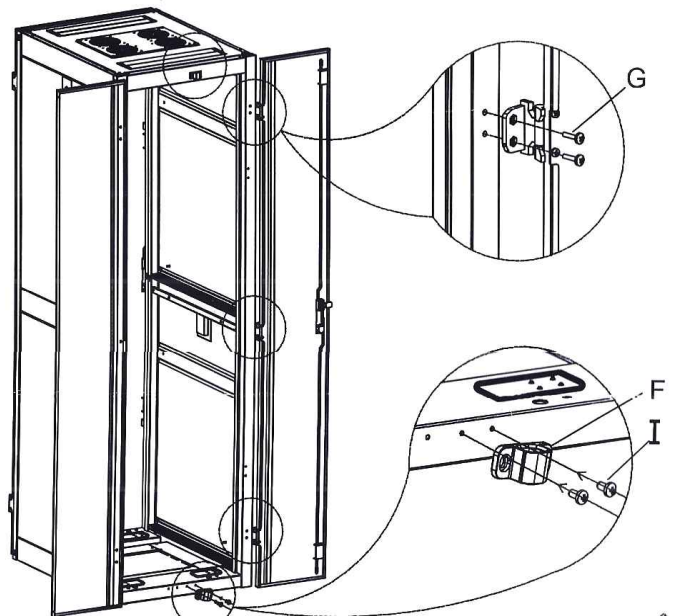
Front & rear doors are optional accessory. The following steps introduce the installation for both one-direction & two-direction opening doors:

2 hinges for less than 47U and 3 hinges for more than 47U, make sure every bolt is secured!

2 hinges for less than 47U and 3 hinges for more than 47U, make sure every bolt is secured!



4xG(47U and above 6XG), 2xF, 4xI



8xG(47U and above 12XG), 2xF, 4xI

If right and left doors are not matched, loose all the hinges and adjust the left door and right door to the same horizontal then screw all the bolts.

