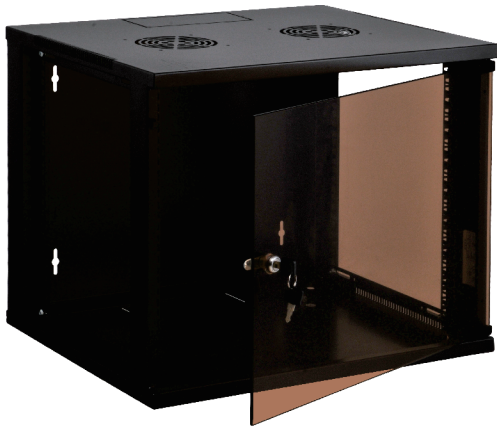


19" 6U or 25U 19" wall mounted cabinets



Front



Back

FEATURES:

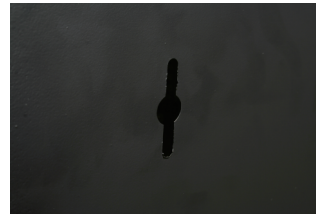
- Reversible 5mm toughened glass front door with small round lock.
- Welded frame, strong and stable structure.
- Standing or wall mount installation, 4pcs feet available when standing
- Removable side panels, easy open to operate. Side locks are optional for security.
- Easy and quick installation & maintenance. Cable entries on top and bottom for cable entering.

SPECIFICATIONS:

- Material: SPCC cold rolled steel
- Thickness: Mounting rails: 1.5mm; others: 1.0mm
- Surface: Epoxy powder coated
- Static loading capacity: 50kgs
- Protection class: IP20

STANDARDS:

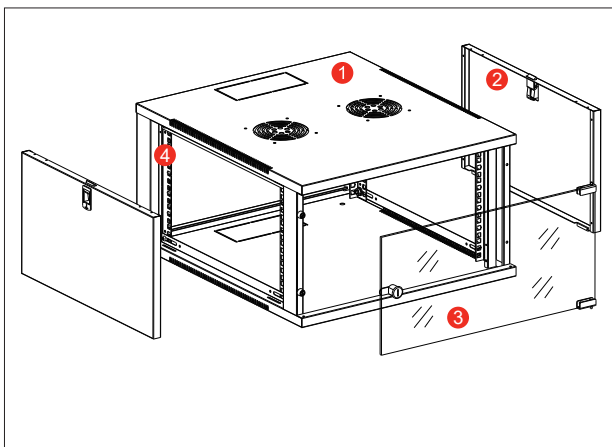
- Comply with ANSI/EIA RS-310-D; IEC60297-2; DIN41494, PART1; DIN41494, PART7; standards.



Installation Hole On Back



Side panel

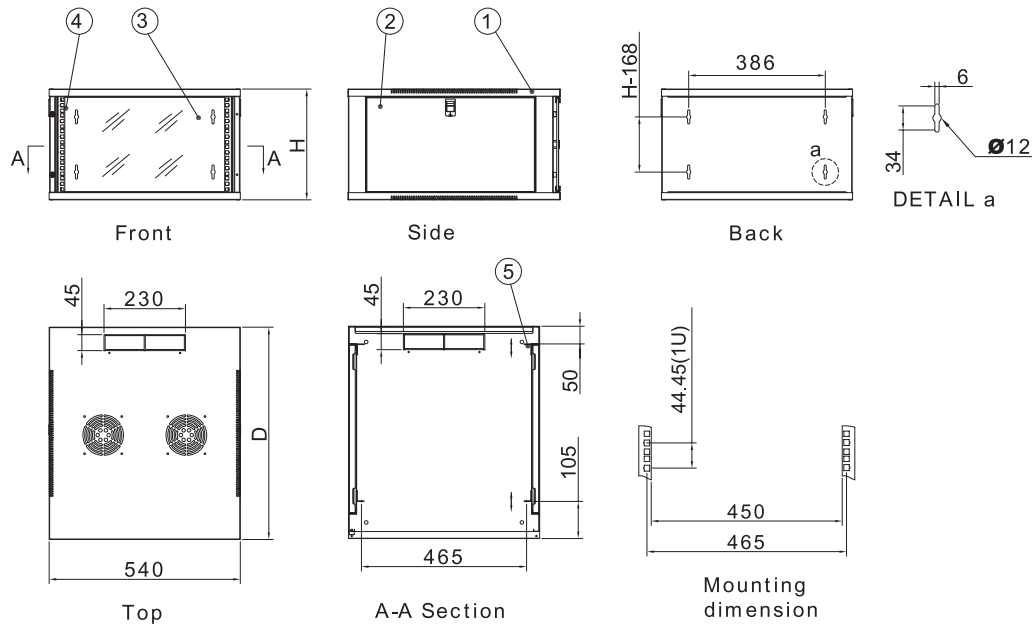


STRUCTURE:

- 1, Frame
- 2, Side panel
- 3, Toughened glass front door
- 4, Mounting profile

19" 6U or 25U
19" wall mounted cabinets

MAIN DIMENSIONS:



Main Parts:

S/N	Specification	Qty	Unit	Material	Surface finishing	Remark
1	Frame	1	pc	SPCC	Powder coated	---
2	Side panel	2	pc	SPCC	Powder coated	---
3	Toughened glass front door	1	pc	Glass	---	Small round lock
4	Mounting profile	4	pc	SPCC	Powder coated	---