

4 3 2 1

1

F

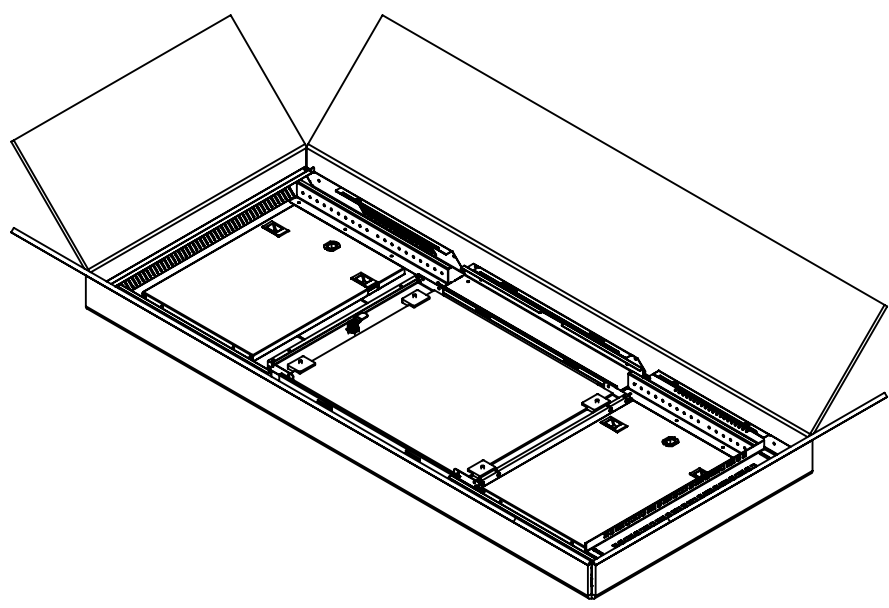
F

E

E

D

D



- Open the box.



2

C

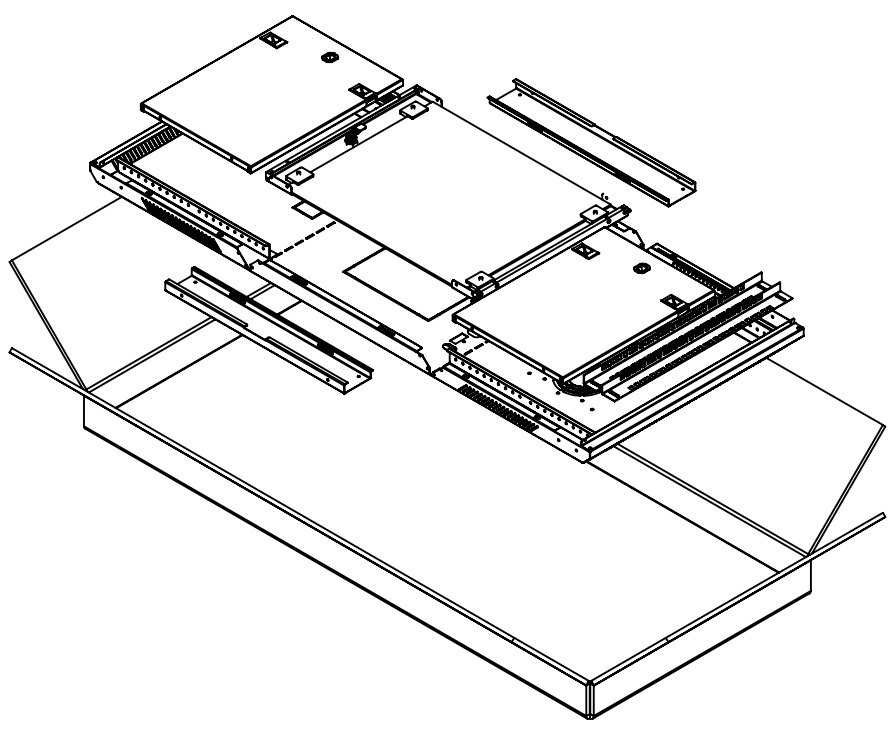
C

B

B

A

A



- Take out of the box.

4 3 2 1

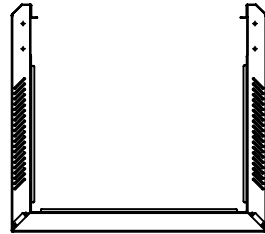
3

Step-1

Step-1

Step-1

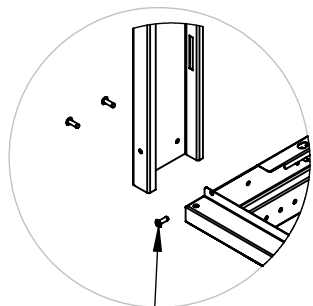
Step-1



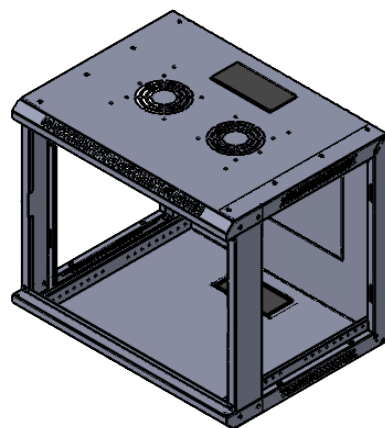
4

Step-2

Step-2



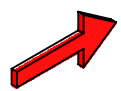
20 Qty.  
pop rivet  
/ screw



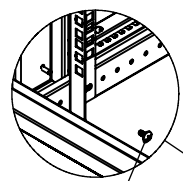
4 3 2 1

5

2 Qty.



Step-3



Step-3

4 Qty  
Screw

F

F

E

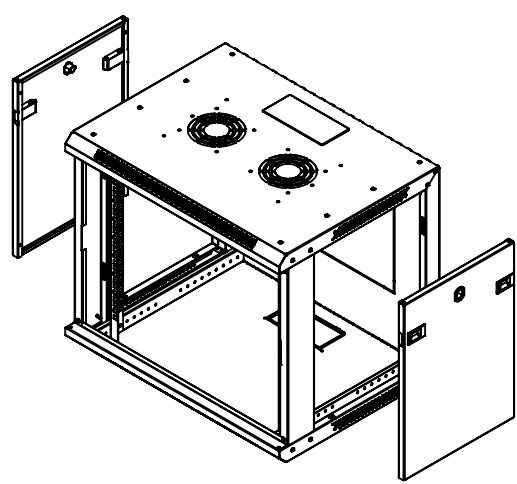
E

D

D

6

Step-4



Step-4



C

C

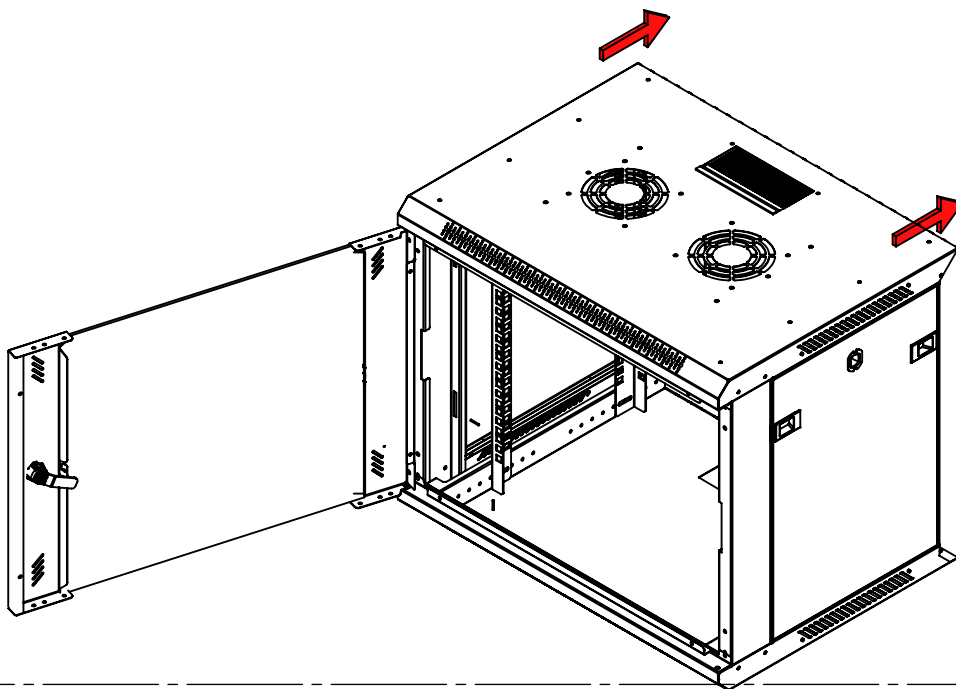
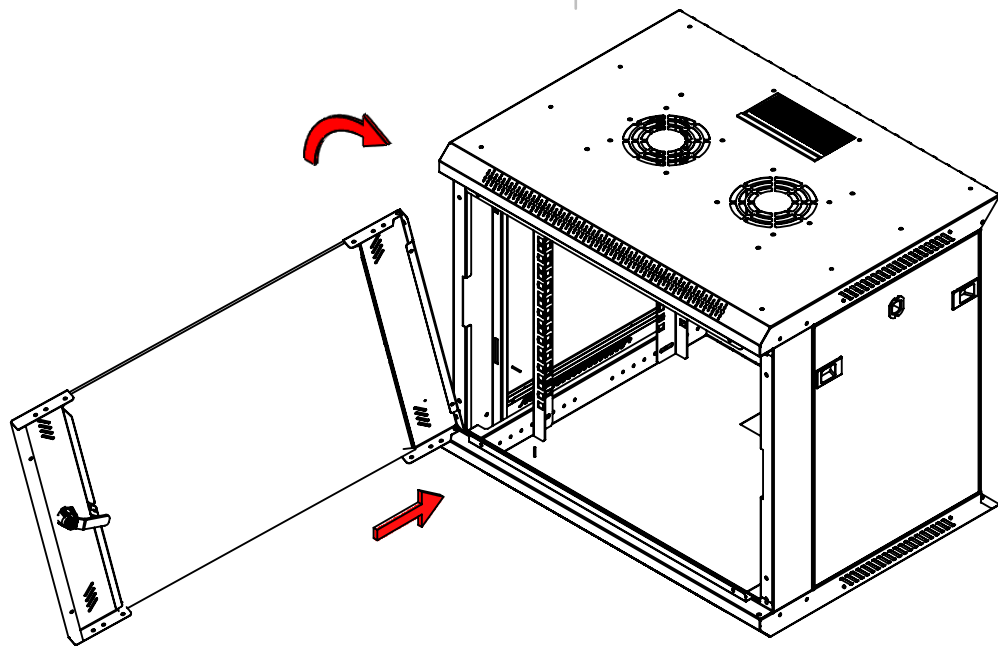
B

B

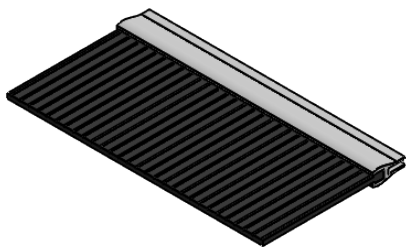
A

A

4 3 2 1

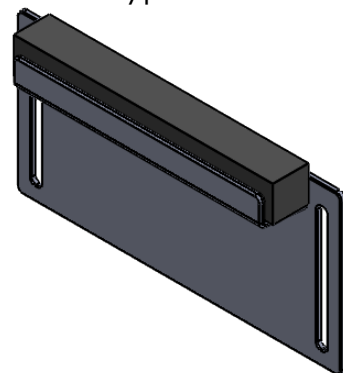


Type-1

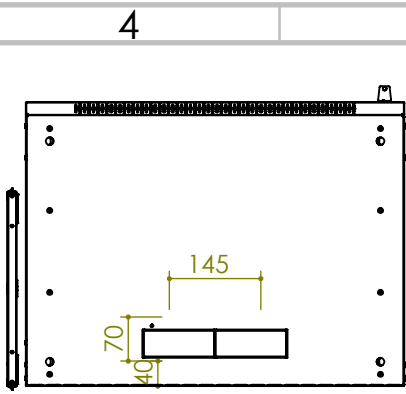


BRUSH

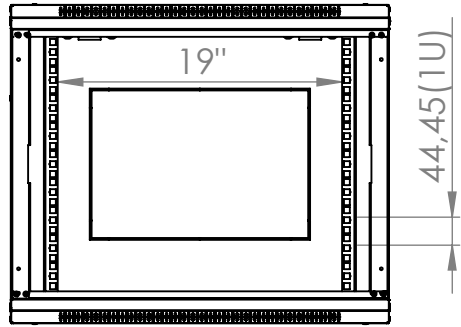
Type-2



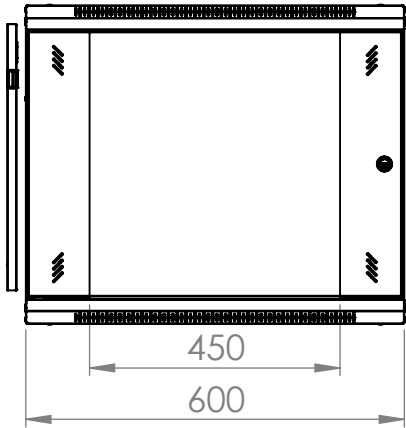
SLIDING CLOSURE



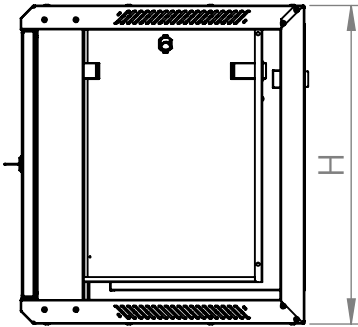
BOTTOM VIEW



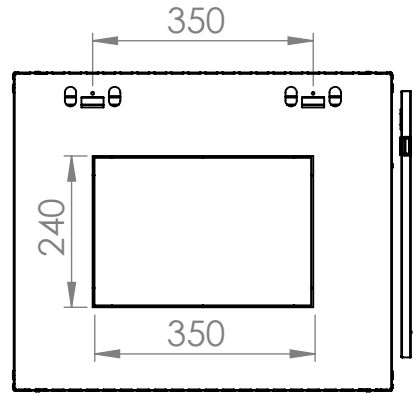
DIMENSIONS IN WIDTH AND HEIGHT



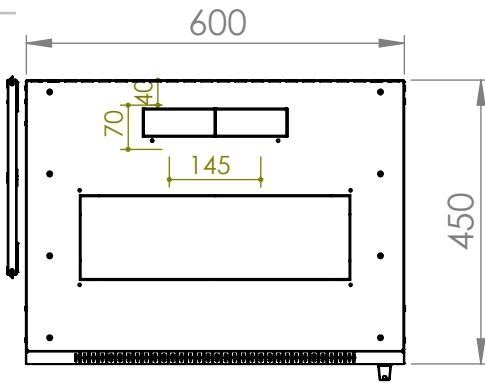
FRONT VIEW



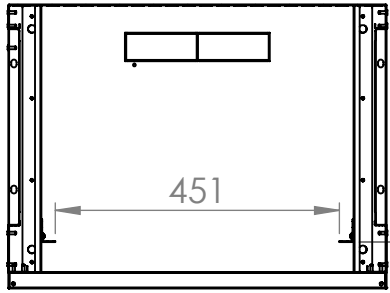
SIDE VIEW



REAR VIEW



TOP VIEW

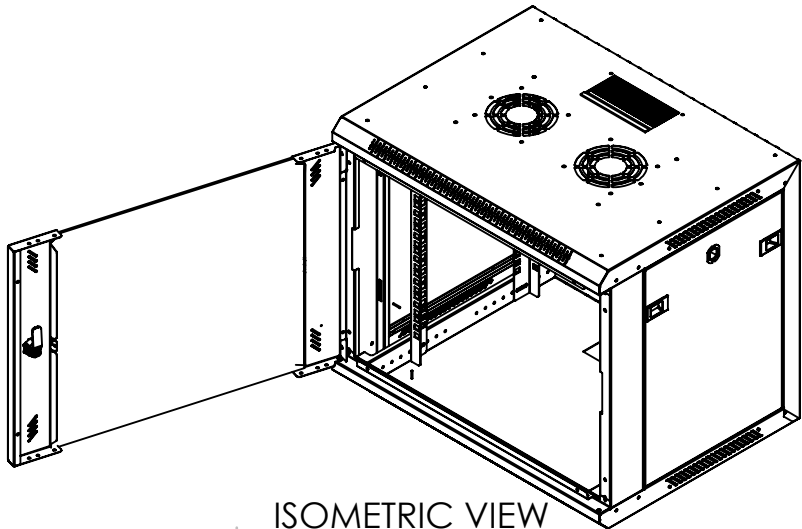


MAX/STD/MIN EQUIPMENT MOUNTING DISTANCE

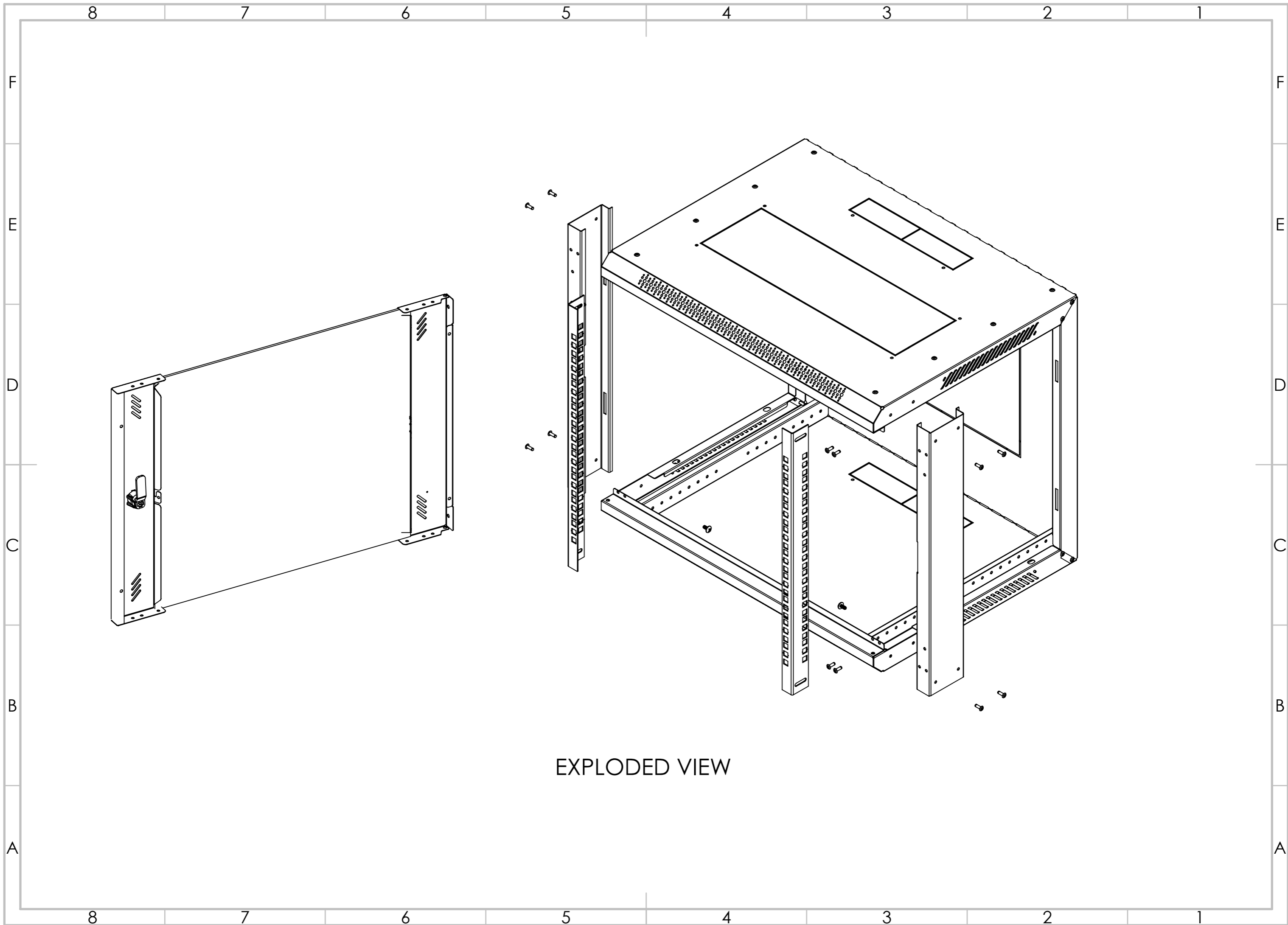
Max 395  
Std 375  
Max 275

Min 55  
Std 75  
Max 175

	H
4U	283
6U	372
7U	417
9U	506
12U	639
15U	772
16U	817



ISOMETRIC VIEW



EXPLODED VIEW