

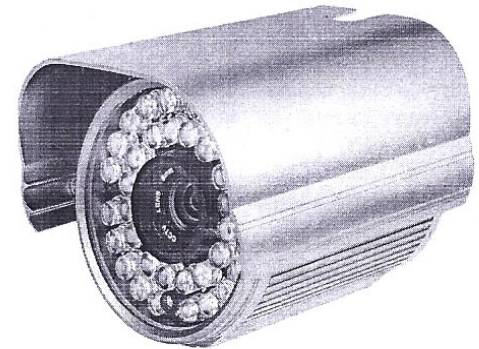
Specification

Model	WX13
Pick Up Element	Color 1/4" cmos
Effective Picture Elements (H*V)	1280x720
Horizontal Resolution	700TV Lines
S/N Ratio	More than 48dB
Clock Frequency (MHZ)	NTSC:27.000 , PAL:27.000
Scanning System	2:1 interlace
Minimum Illumination	0.01 Lux (with IR LED ON)
Synchronous System	Internal, Negative sync.
Auto Electronic Shutter	NTSC:1/60s~1/80,000s,PAL:1/50s~1/80,000s
Gama Characteristic	0.45
IR Project Distance	40 Meters (with 36Unit LED)
IR Status	Under 10 LUX by CDS
IR Power On	CDS Auto Control
Video Output	1Vpp,75 Ω
Auto Gain Control	Auto
Power/Current	12VDC(+/-10%)/180mA
Lens	4mm
Dimension (mm)	60×59×70mm
Weight (g)	300g
Storage Temperature	-30~ +60℃
Operating Temperature	-20~ +70℃

Packing List

No	Name	Model	Number
1.	Camera		1
2.	UserGuide		1

WX13



BUY ON
www.cablematic.com

Notes : Before providing power for the camera, please read this UserGuide in detail!

Do not attempt to disassemble the camera. If the camera can not work, please contact local franchiser or our company.

BRIEF OF PRODUCT

* Sensor

Adopt 1/4" 700 Resolution cmos Sensor.

* Auto Gain Control (AGC)

Built-in auto gain control (AGC) circuit. The color camera can get high definition picture in low Lux condition.

* Auto Electronic Shutter (AES)

Built-in auto electronic shutter function. The color camera's AES speed can reach 1/100,000s.

* Gama Characteristic

Camera Gama characteristic is 0.45.

* Scanning Mode

NTSC or PAL mode.

* Night-time Vision

0 Lux with IR LED ON. Adopt TaiWan high quality IR LED, having very good night-vision effect.

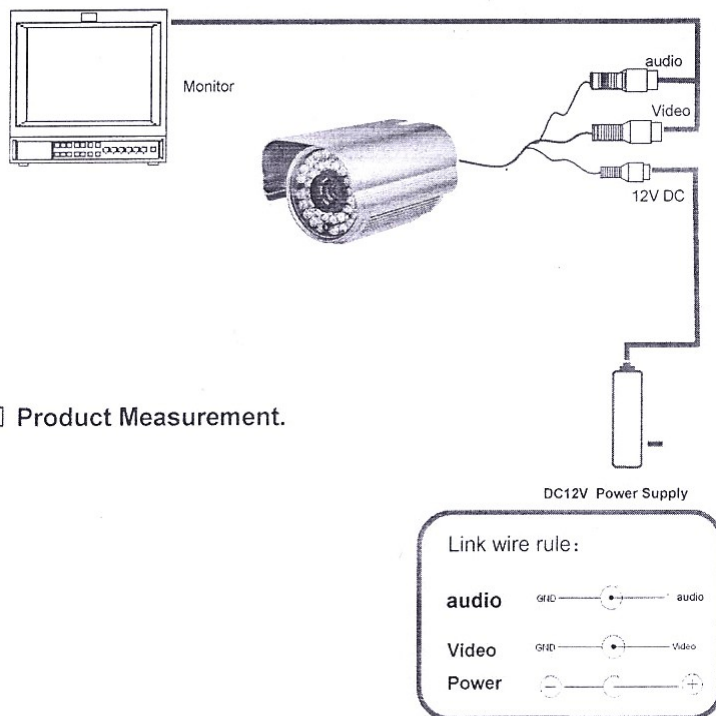
BUY ON
www.cablematic.com



Notes:

- The power supply must through safe attestation. Its output voltage, current, voltage polarity and operating temperature must match the camera's requirement.
- When using the camera in the thunderbolt condition, please note to mount Anti-thunder device or put off the power supply plug and cable.
- In order to capture high quality pictures, the power supply's cable and video output cable should not be too long.

CONNECTING



Product Measurement.

TROUBLE AND SOLUTION

- 1. No Picture after providing power**
 - May be the power supply voltage abnormality, please check the power supply voltage and pole whether exactitude.
 - Please check all the connecting cable and monitors whether be connected correctly or not.
- 2. The picture level direction have flowing interference ripples**
 - May be caused by the power supply AC ripples, it need filter the wave of the power supply.
 - Check the monitor and peripheral equipments used.
- 3. The picture background color changes continuously**
 - The fluorescent lamp's electromagnetic field cause color roll. This is proper phenomenon of the cameras.
 - Reduce the fluorescent lamp numbers or increase the distance between the camera and the fluorescent lamps can improve it.
 - Use power supply external sync. camera can solve it.
- 4. The picture smear too mass**
 - The power supply's voltage unstable.
 - Connecting cables not connect correctly or have high impedance.

INTRODUCTION

Congratulations on your purchase of this product. This UserGuide suit series product. We adopt the latest technical of sensor and driver. The most attractive characteristics are vandal-proof and rotatable, and widely applicable to day & night, indoor & outdoor. In addition, it owns the characters of high definition and stability, strong anti-jamming, rich and real color. Fixing and using this model are convenient too. It is very good for you to apply to yours CCTV system.

Please read this instruction manual carefully to ensure proper use of the product.



To prevent fire or shock hazarded. Do not expose the unit to rain or moisture.



The symbol is intended to alert the user to the presence of important operating and maintenance (servicing) Instructions in the literature accompanying the appliance.



The symbol is intended to alert the user to the presence of uninsulated 'dangerous voltage' within the product's enclosure that may be of sufficient Magnitude to constitute a risk of electric shock to persons.

	CAUTION: RISK OF ELECTRIC. DO NOT OPEN	
SHOCK CAUTION: TO REDUCE THE RISK OF ELECTRIC DO NOT REMOVE COVER OR BANCK NO USER SERVICEABLE PARTS INSIDE. REFER SERVICING		

CAUTION:
To prevent electric shocks and risk of fire hazards,
do NOT use other than specified power source.



Note:

- Please note the camera's operating temperature and its using environment requirement. Avoid using the camera at too high or too low temperatures. The operating temperature is -10°C-50°C. (Recommendatory operating temperature is -5°C-40°C.)
- Never make the camera face the sun or bright object. Otherwise, it will damage the CCD.
- Do not mount the camera near by the radiator or heater.