

QA

Wall mount rack



Features:

- Exquisite design with precise dimensions and craftsmanship
- Easy installation
- Optional locks for side panels
- Closable top/bottom cable entry openings
- Removable side panels and front/back doors for operation and watching
- Casters or support feet can be installed when it's on ground
- Doors can be opened from the left or right
- Top cover is available to fans

Main material:

- Cold-rolled steel

Surface treatment:

- Degreasing, pickling, phosphating, laundering, powder coating
- Doors can be opened from the left or right

Load capacity:

- Static load: 80KG



• Removable side panel



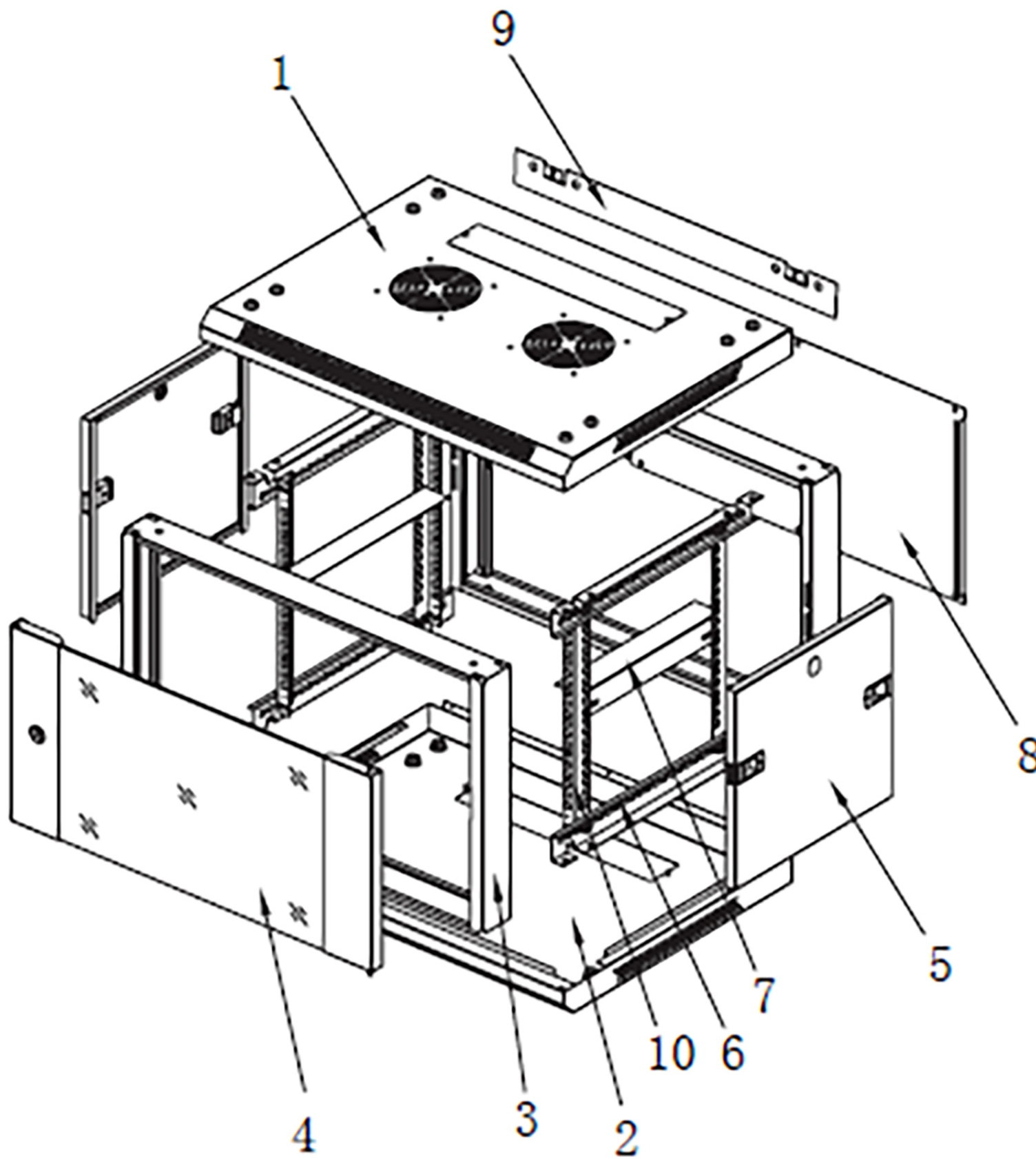
• Adjustable profile rail



• Earthing screw inside

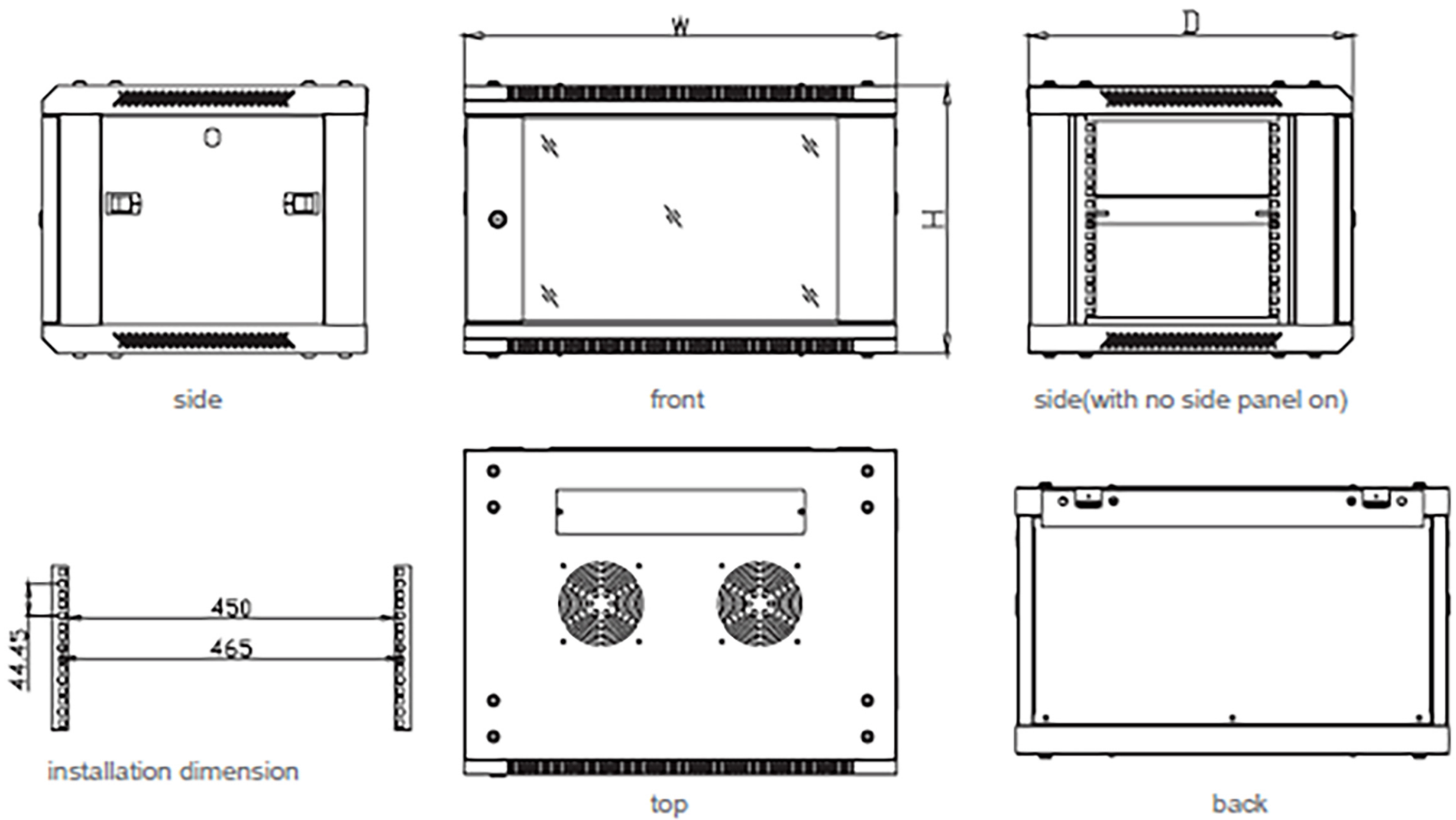


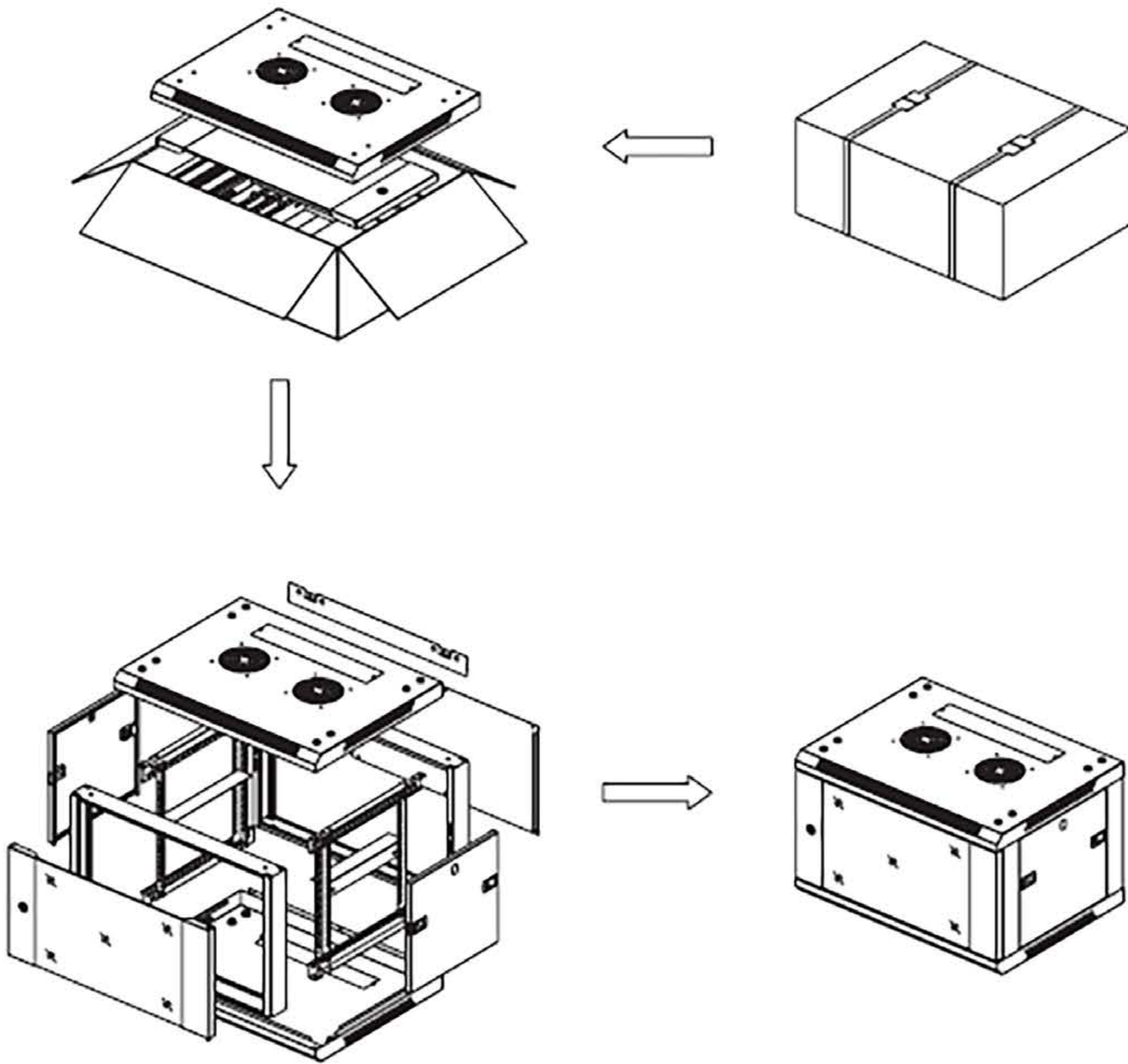
• Installation method



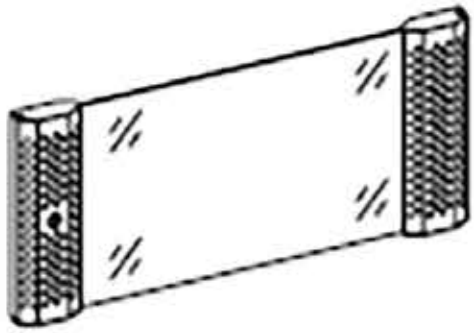
- 1.top cover
- 2.bottom plate
- 3.frame
- 4.front door
- 5.side panel
- 6.horizontal bracket
- 7.L-shaped bar
- 8.back panel
- 9.mounting panel
- 10.profile rail

Size

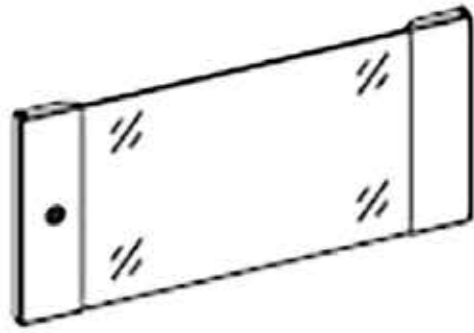




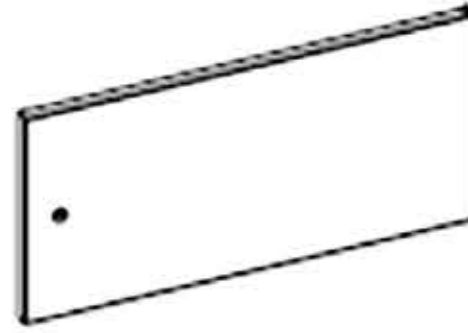
Optional doors



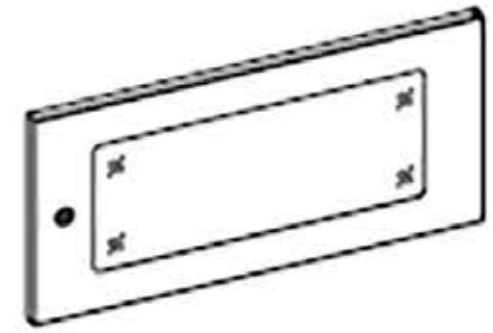
B=Tempered glass door



C=Tempered glass door



D=Solid iron door



L=Tempered glass door