

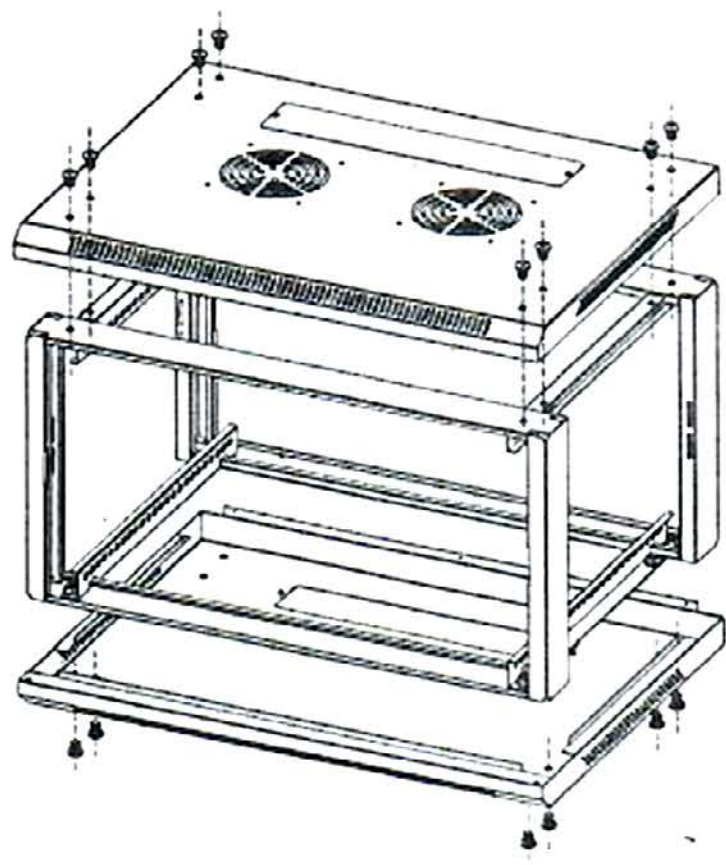
QA Wall Mounted Cabinet Assembly Manual

Packing List

- 1.Top Tray - 1pcs
- 2.Bottom Tray - 1pcs
- 3.Horizontal Support - 4pcs
- 4.Vertical Support - 4pcs
- 5.Side Door - 2pcs
- 6.Cover Panel - 2pcs
- 7.L Mounting Rail - 2pcs
- 8.Back Panel - 1pcs
- 9.Mounting Back Panel - 1pcs
- 10.Front Door - 1pcs

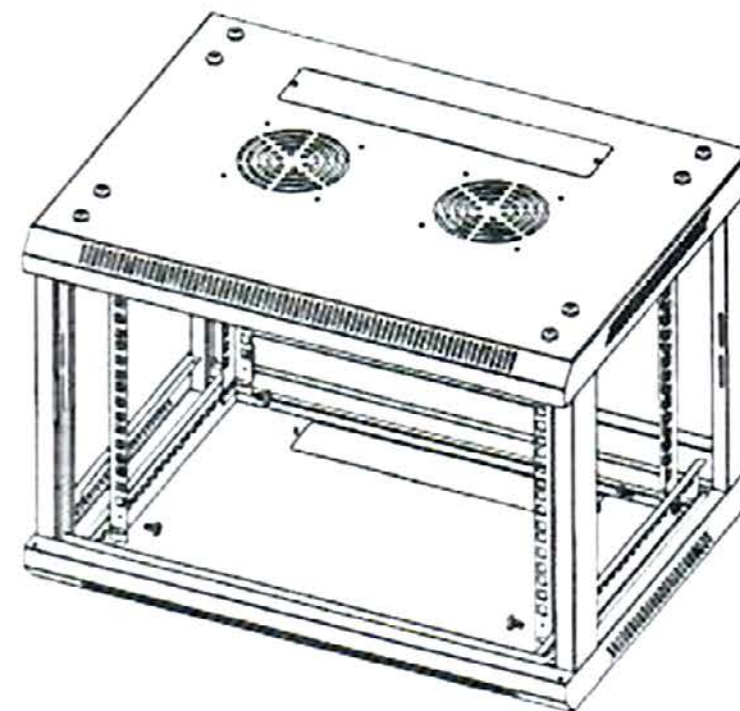
Accessories Package list

- 1.M8*12 Inner Six Angle Screw - 16pcs
- 2.M8 Flange Nut - 16pcs
- 3.M6*12 screw - 12pcs
- 4.M6 Stainless Steel Square Nut - 12pcs
- 5.M4*8 Self-tapping Screw - 12pcs
- 6.3mm Plastic Washer - 1pcs



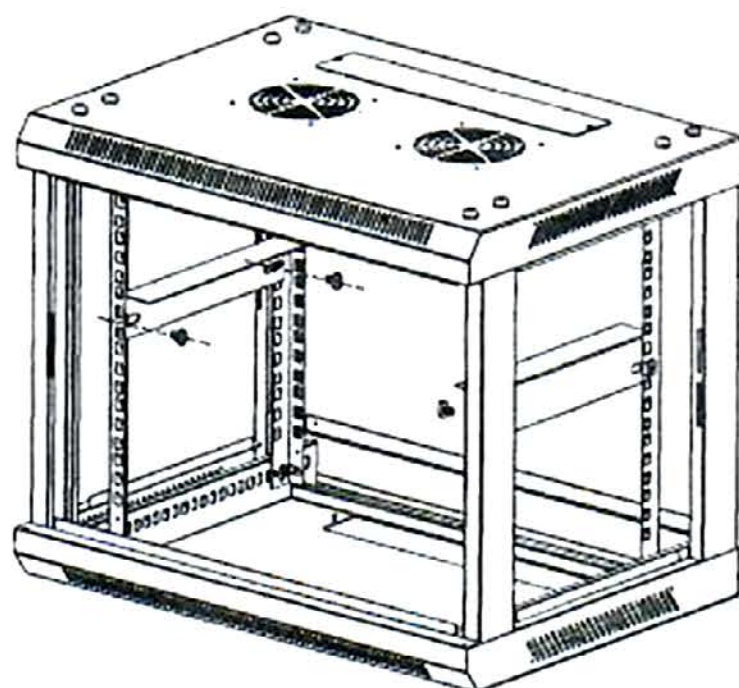
STEP1:
Use M8*12 inner six angle screws and M8 flange nuts to connect the top tray, frame and horizontal supports.

Refer the picture.



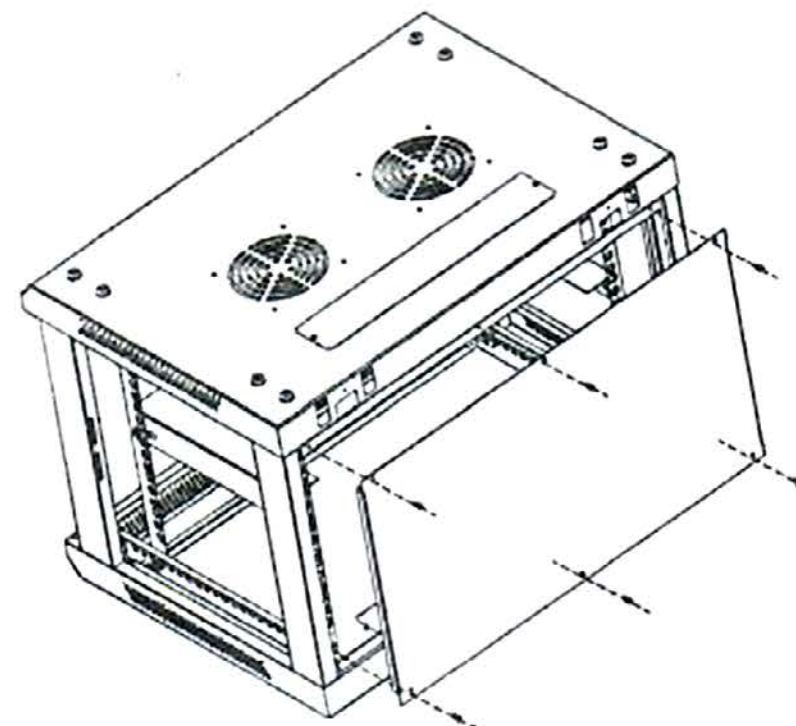
STEP2:
Use M6*12 screws and M6 stainless steel square nuts to connect the horizontal supports and vertical supports.

Refer the picture.



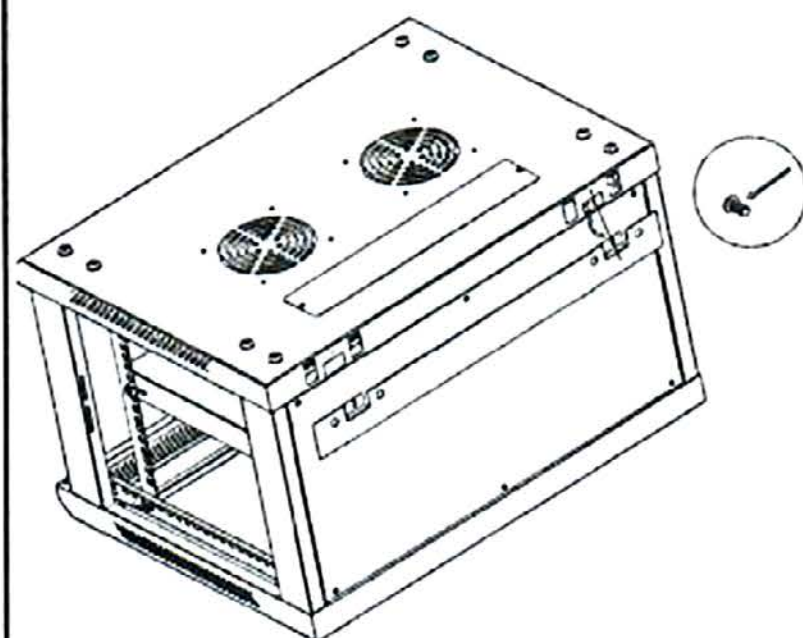
STEP3:
Use M6*12 screws and M6 stainless steel square nuts to connect the L type mounting rails and vertical supports.

Refer the picture.



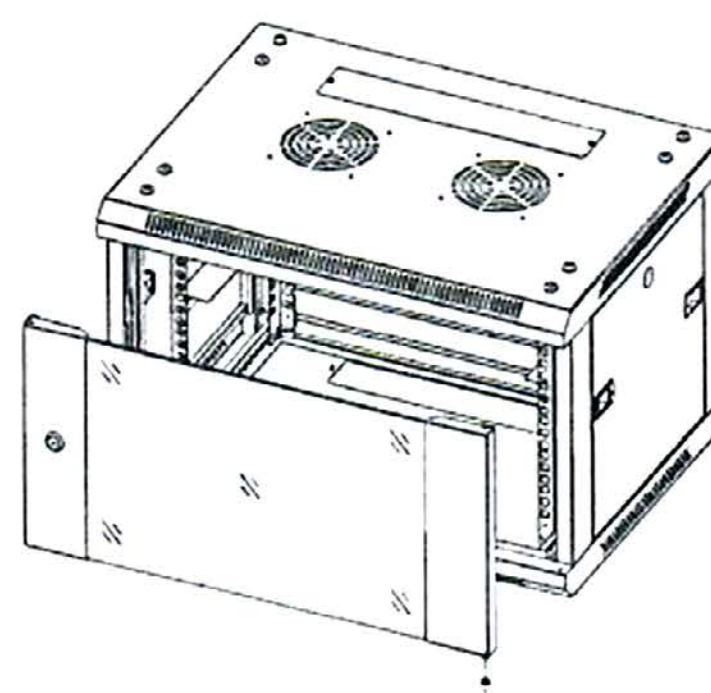
STEP4:
Use M4*8 self-tapping screws to assemble the back panel.

Refer the picture.



STEP5:
Use M4*8 self-tapping screws to assemble the mounting back panel.

Refer the picture.



STEP6:
Assemble the front door with the top panel and bottom panel. And assemble the side doors

Refer the picture.