

CE

# LED Moving Head Light



## User manual

Read it carefully before use it.

## 1.DISPACKING

Thank you for using the products of our CO..For your own safety,please read this manual before installing the device.This manual covers the important imformation of installing and using.Please install and operate following the manual book.Meanwhile ,please keep this manual well for using at any time.

Our moving wash is made of a new type of high temperature strength of engineering plastics and cast aluminum casing from manufacturing,design beautiful smooth,fully embodies the characteristics of modern lighting products. Products according to strictly CE standards of production design,in full compliance with international standards DMX512 protocol,single control and can also be controlled in group with each other,suitable for large-scale performances,theater,studio and places of higher Disco use.

The Moving head light adopt the powerfull LED lamp which is import in the foreign country. Once receive it,please handle it carefully and check if there is some shatter because of transportation and the following fittings are ok:

main light: one	singal cable----one
hook :one	Manual-----one

## 2.CAUTION

The guy who install it and maintain it,you must follow:

-Have the qualification of technician.

-Follow the instruction

Attention:prevent water damp,cut the power off when open the machine. Keep Clear-High Voltage,the machine is in good condition before sell.To confirm the safety, please control it under the instruction.

-The factory will not take responsibility,if you don't control it under the instruction or change the machine personally or change the instruction casually.

-Don't conect te power wire with other wire,confirm the power is availerbale to the machine,expecially don't outstrip the power.

-confirm plug connect with the power, and the switch button is off before you connect with power.

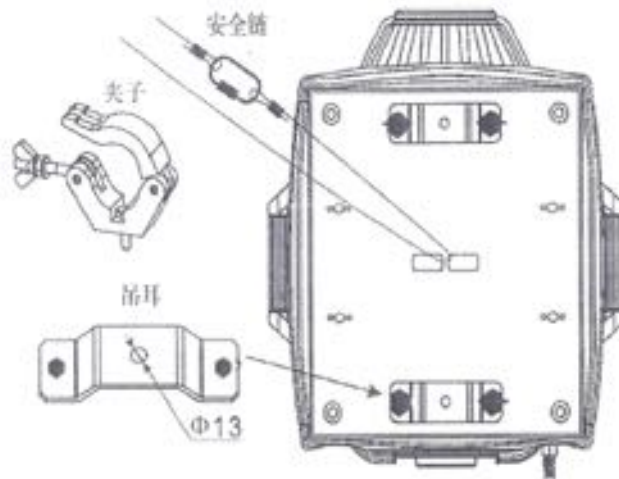
- Confirm the power wire is not puckered or damaged by the sharp,check it once in a while. -Cut the power when it is not work or maintained.When you cut off power,pull up the plug not the wire to avoid the damage.
- The level of protection is the first level,connect the green/yellow to the ground.The connection and maintainment shoud be dong by the careerman.
- Don't connect the machine to the dimmer equipment.
- Don't make on and off action frequently,or the working life will become short.
- It may be smeelly when the first use,it's the common.
- To avoid hurting the eyes,please do not look at the lamp-house steadily.Especially for the eye sicker.

### 3.INSTRUCTIONS

- The machine is moving head light used to make the decorate effect.
- Don't start the machine when it's temperature changed drastically,because the change of the temperature may damang the machine,start it when temperature is in the common condition.
- Be carefully for the shock when install
- Don't pull up the machine by the head of it,this may damage it,use the special tools to transport it.
- The install place shout not overheating overdamp or too much dust,don't put wire on the ground to avoid hurting any man,
- At the botton of this product there is a hole for safety wire,please make sure that the safety wire is done with it.
- When the machine is not installed or the screw is not tighten,don't start it.
- Caution:when lens is damaged visible,change to keep the previous effect.
- It maybe injure the machine if it is controlled by the guy who is not professional,lots of the damage is coming by this.
- Use the original packing when delivery it. Forbit change the machine unless approved.
- The fault is not belong to guarantee to keep in good repair,if you don't control it under the instrution.The short circuit,damage, accidental contact,the damage by ultraviolet radiation,the blow up,all of this not belong to guarantee to keep in good repair.

### 4.Install The Equipment

- During installation,please make sure no inflammable thing within 0.5 meters.
- WARNING:use the two hooks to fix the bottom of the machine.and be sure the place where you installed is safe,and it can stand ten times weight than the light,test that if the place is out of shape in one our.
- You'd better add second protection to avoid the shed of lose of the spare parts.
- the light can be installed on the shelf. as shown in illustration



The strand wire is usually used in the shelf for the safety, the strand wire should stand ten times weight than the machine. you should use the strand wire which has safety lock pins, the strand wire pass through the hole at the bottom, then tie it to the fixity, then tighten it.

## 5. The Connect of Main Frame

- Confirm the power before connect!
- use the plug to connect the machine to the power.

(European Union) wire	(United states) wire	Line	Mark
Brown	Black	live line	L
light blue	White	null line	N
yellow/green	green	earth wire	⊕

The connect of DMX-512 and lights.

Connect the XLR-XLR control wire from DMX Pulse Output of the controller to the light,

XLR connection: DMX output  
XLR plug seat



1. earth wire 2. cathode 3. anode

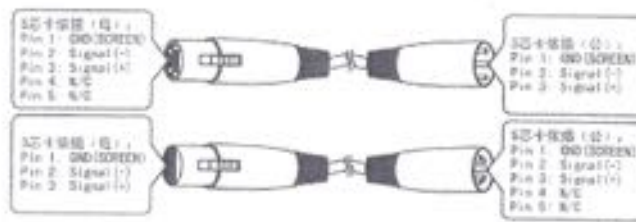


DMX plug 1.

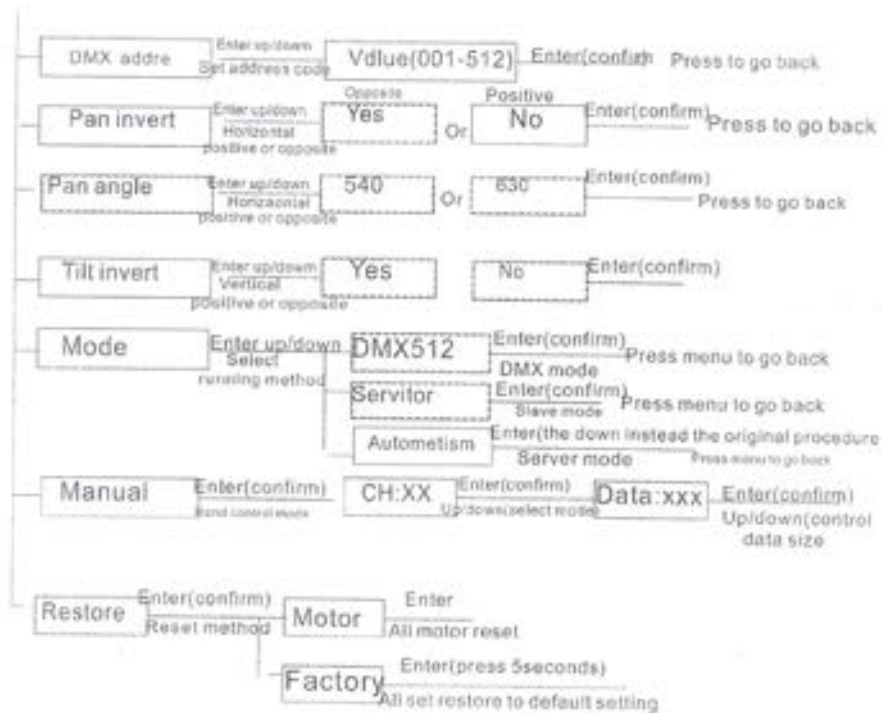
earth wire 2. cathode 3. anode

Attention: The last DMX signal wire must connect to

the loop plug seat, pue a electric resistance of 120Ω, between the signal and signal+ of the plug, then put them in the Pulse DMX Output of the last one.



## 6. Set of the display



## 7. The Channel 14CH model:

- CH1: 0-255 dimmer
- CH2: 0-255 red dimmer
- CH3: 0-255 green dimmer
- CH4: 0-255 blue dimmer
- CH5: 0-255 white dimmer
- CH6: 0-10 no effect 11-255 strobe from slow to fast

- CH7: auto run
- CH8: 0-255 auto run speed from slow to fast
- CH9: 0-255 X axle 0—450
- CH10: 0-255 Y axle 0—270
- CH11: 0-255 X axle fine tune 0—2.1
- CH12: 0-255 Y axle fine tune 0—1
- CH13: 0-255 X,Y axle speed
- CH14:0-254 no effect 255 rest (Wait a few seconds)

## 10 CH model:

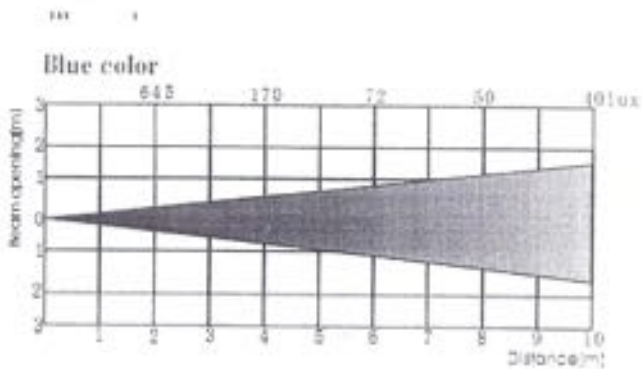
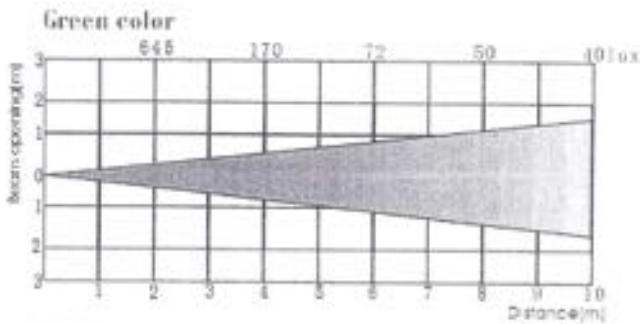
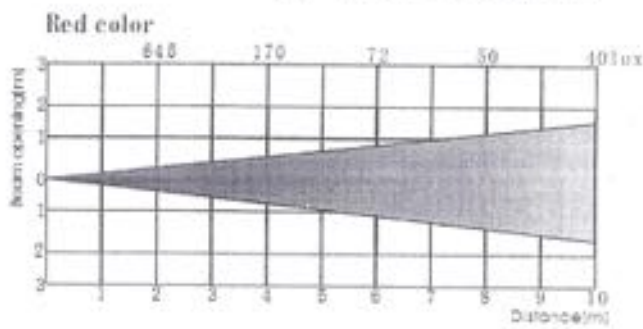
- CH1: 0-255 dimmer
- CH2: 0-255 red dimmer
- CH3: 0-255 green dimmer
- CH4: 0-255 blue dimmer
- CH5:0-255 white dimmer
- CH6: 0-10 no effect 11-255 strobe from slow to fast
- CH7: 0-255 X axle 0—450
- CH8: 0-255 Y axle 0—270
- CH9: 0-255 X,Y axle speed
- CH10:0-254 no effect 255 rest (Wait a few seconds)

## 8.SKILL SPECIFICATION

Power source:

1. The standard voltage:AC90v-260v, 50/60HZ
2. Power rating:150AV/350AV
3. Channel:12 standard DMX512 control channel
4. Lamp: High-power lamp which is import from foreign country
5. Standard of the switch power: 1.AC Output:DC 28V 2. current output:6A/13A
6. Standard of the fan: volume:90\*90\*25-60960\*25 -DC120V/0.12A
7. Standard of the fuse:the fuse of the bottom:3.15A/250V-5A/250V 5\*20MM
8. Lamp: red:1W/3W/5W 24pcs green: 1W/3W 28pcs blue: 1W/3W 28pcs  
white: 1W/3W 28pcs
9. Size/weight: size:460mm\*335mm\*385mm N.W:9kg G.W:11kg

## 9. Wave Beam



## 10. MAINTENANCE AND CLEANING

This moving LED must be kept clean basically, which means dust, dirt or draft of tobacco tar should not be stayed on/in the case, otherwise, it will sharply decrease the output of the moving LED. Regular cleaning can guarantee not only LED output but its life as well. It is suggested to be cleaned by soft cloth with premium glass detergent instead of using alcohol or solvent!

★Danger: Switch off power supply before any maintenance.

★The front glass is easily stained by the draft of tobacco tar, which will decrease light output, so it should be cleaned once a week. As for cooling fan, once a month.

★There is not any repairable part inside the device except for fuse.

★ Only franchisers have the right for maintenance.

★ Change of Fuse

When the bulb is burnt, the fuse might also be burnt at the same time. Only the fuse with same model and class need to be changed.

★Switch off power supply before changing fuse.