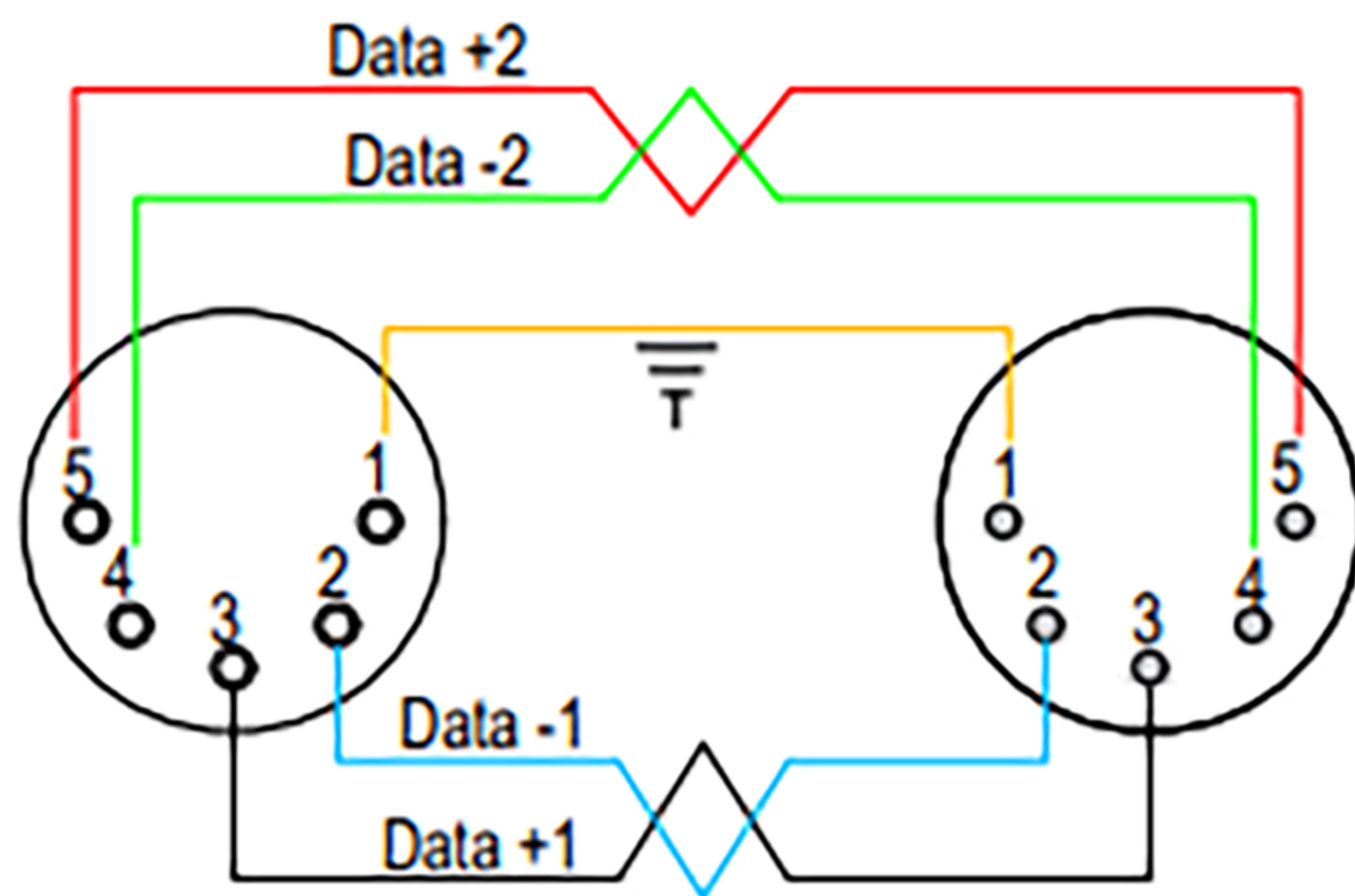


PIN Connection

5-pin XLR Female

5-pin XLR Male



					NAME	5-pin female to 5-pin male XLR DMX Cable	DWG NO.		
							UNIT	mm	
							ERP		
							REV	V1.0	
CHANG TAG	QUANLITY	CHANG.NO	NAME	DATE	GENERAL TOLERANCES (mm)			WEIGHT	scale
DRAWING	Richard Su			19th-Nov-21	LENGTH:0-1000 ±40 LENGTH:1500-5000 ±50 LENGTH:6000-10000 ±100 LENGTH:15000-50000 ±150				
CHECK							CURRENT 1 SHEET	TOTAL 1 SHEETS	
PIE									
STANDARD									
ERP									
APPROVED							SIZE		