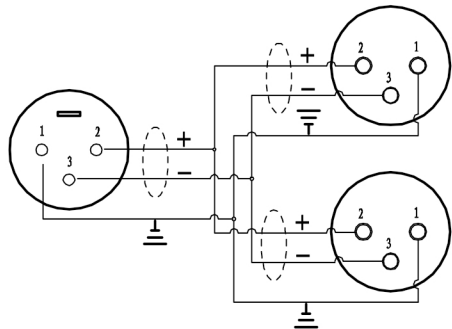


PIN Connection

3P XLR Male

3P XLR Female



NO.	ERP	DWG NO.	NAME		QUANTITY	MEATERIAL	REMARK
					DWG No.		
					UNIT	mm	
					ERP		
					REV	A	
CHANG TAG	QUANLITY	CHANG.NO	NAME	DATE	GENERAL TOLERANCES (mm)		
DRAWING	Richard		8th-Jan-16				
CHECK					LENGTH:0-1000	± 10	
PIE					LENGTH:1500-5000	± 20	
STANDARD					LENGTH:6000-10000	± 30	
ERP					LENGTH:15000-50000	± 50	
APPROVE					SIZE		
					CURRENT SHEET	TOTAL SHEETS	