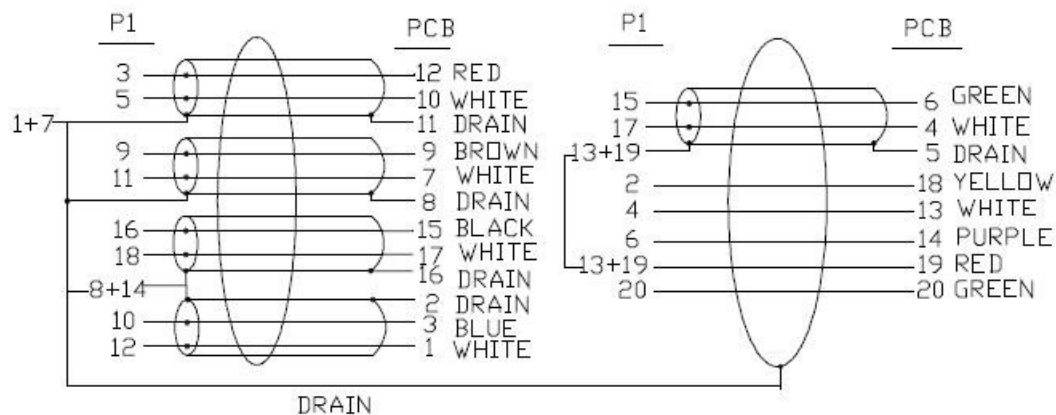


**ELECTRICAL TEST:**

- 1.100% OPEN & SHORT & MIS WIRE TEST
- 2.CONTACT RESISTANCE:2 OHM(MAX)
- 3.INSULATION RESISTANCE:10M OHM(MIN)
- 4.HI-POT TEST:DC 300V/10ms

**PIN Assignment**



**Table:**

Length	Resistance
5000±50mm	2 ohm
3000±50mm	2 ohm
2000±50mm	2 ohm
1000±30mm	2 ohm

11	Display Port M ABS Up SHELL,COLOR:Apple White	1	pcs
10	Display Port M ABS Down SHELL,COLOR:Apple White	1	pcs
9	Display Port M INSULATION:BLACK,SHELL NICKEL,PIN GOLD PLATED	1	pcs
8	mini DisplayPort(Type Solder) ABS Outside Down Apple White	1	pcs
7	mini DisplayPort(Type Solder) ABS Outside Top Apple White	1	pcs
6	45P PVC COLOR: Apple White	10	g
5	Inside Molding:PE	2	g
4	mini Display Port M BACKED SHELL NICKEL PLATED	1	pcs
3	mini Display Port M FRONT SHELL NICKEL PLATED	1	pcs
2	mini DisplayPort Port M Insulation:Type Nip Board, PIN Gold plated, With PCB	1	pcs
1	Display Port UL20276[32AWG(7/0.08/TC)*1PR+DW+AL/My)*5+32AWG(7/0.08TC)*5C+DW+AL+Braid OD:4.8MM Color:Apple White	2/2	m
NO	DESCRIPTION	Q'TY	UNIT

REV.	DESCRIPTION		DATE
①	TOLERANCE INCHES M/M		
.X	.015	.30	
.XX	.010	.10	
.XXX	.005	.05	
DRAWN BY	Shang		TITLE: MINI Display Port M TO Display Port M NICKEL
CHECK BY			CUSTOMER : CUSTOMER P/N :
APPD BY			SCALE NONE UNIT MM DATE
	DRAWING NO.:		REV. A 1/2