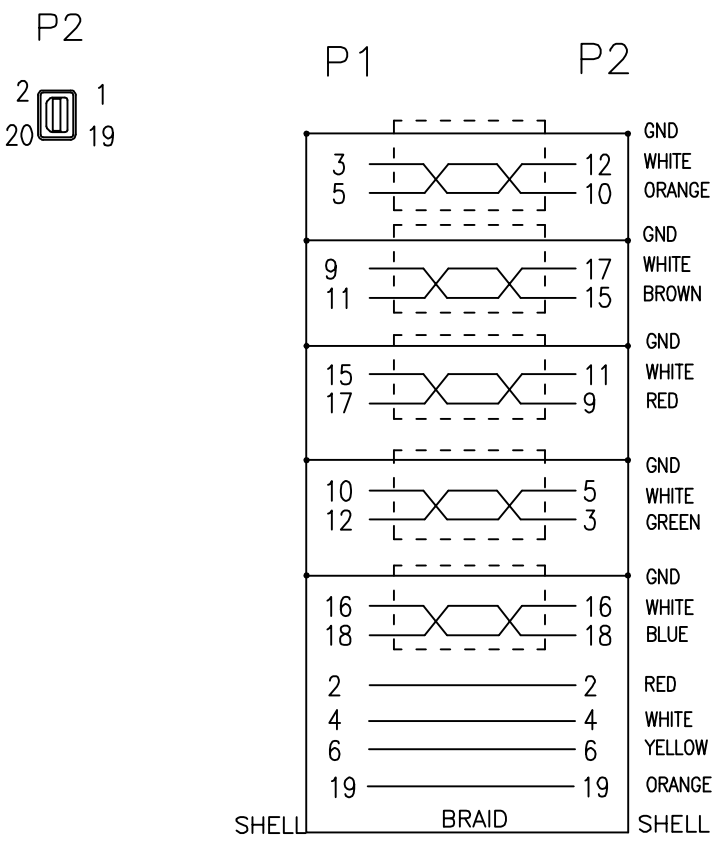
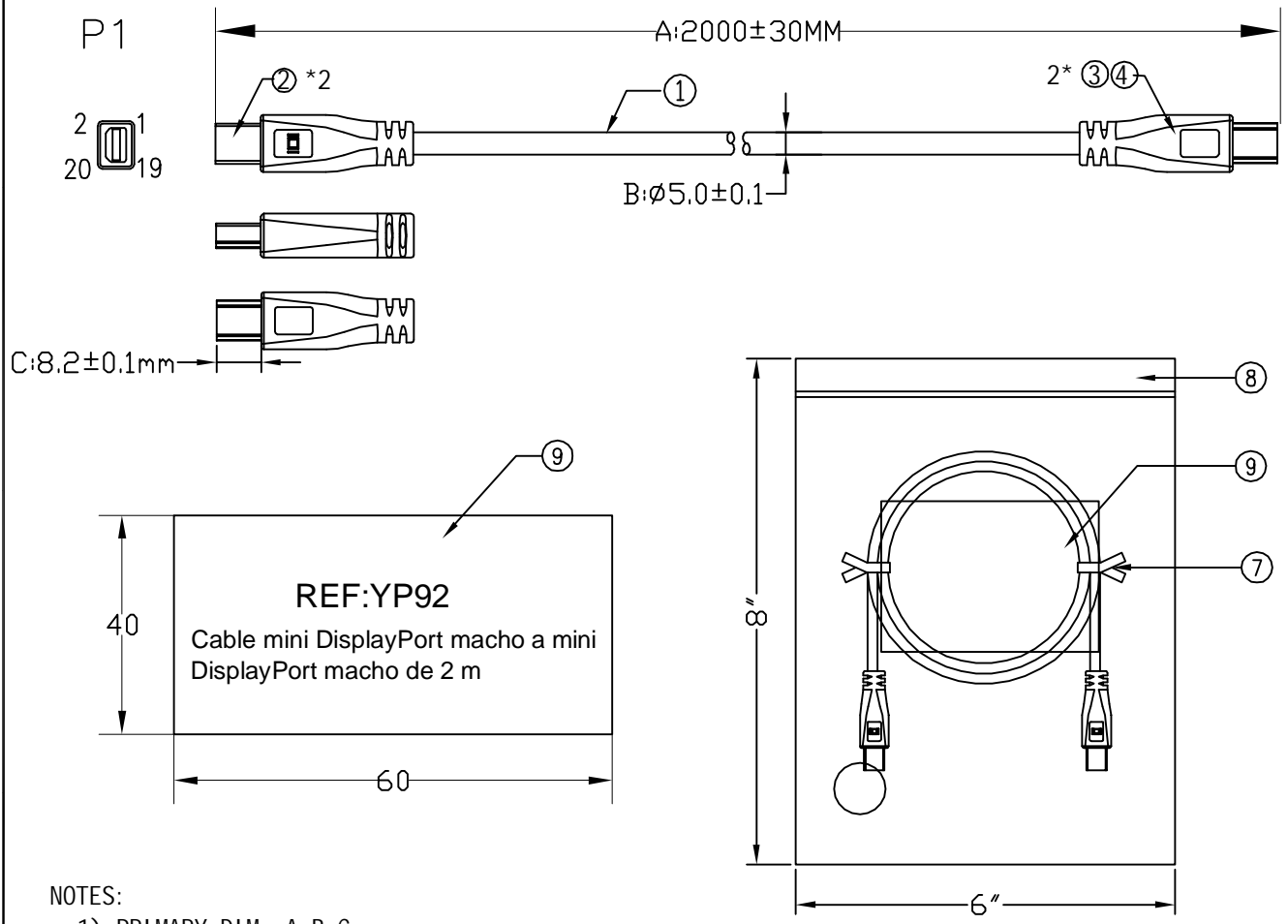


WEIGHT	CUSTOMER NO:	REMARK
131g-K1	YP92	CABLEMATIC



- NOTES:
- 1) PRIMARY DIM: A, B, C
 - 2) INSULATION RESISTANCE: 10M ohm (MIN) 300V/DC
 - 3) CONTACT RESISTANCE: 5 ohm (MAX)
 - 4) P1&P2 DIE ON.: OD20Z04.
 - 5) RoHS Compliant
 - 6) 1PC/PE BAG+LABEL.

3	OUTER JACKET PVC 45Pa BLACK(1101) RoHS
2	MINI DISPLAY PORT 20P/M plug in nickel plated.RoHS
1	UL20276 (32#2C+A+D+M)*5+32#4C+A+B(128BTA)+M OD5.0 BLACK(1101) 2000MM RoHS

A	FIRST EDITION	JLAN	15/04/11
REV.	DESCRIPTION	C.N.	DATE
<small>THESE DRAWINGS AND SPECIFICATIONS ARE THE PROPERTY OF WIRETEK COMPUTER LIMITED AND SHALL NOT BE REPRODUCED COPIED OR USED IN ANY MANNER WITHOUT THE PRIOR WRITTEN CONSENT OF WIRETEK COMPUTER LIMITED.</small>		<small>UNLESS OTHERWISE SPECIFIED: DIMENSIONS ARE IN MILLIMETERS ANGULAR TOLERANCE: ±1.0°</small>	
TITLE		Mini DP TO Mini DP Cable	
DIMENSIONS	TOLERANCE	CHKD.	CONF.
0.00 TO 30.00mm	±0.10mm		
30.01 TO 80.00mm	±0.13mm	DR.	APPD.
80.01 TO 150.00mm	±0.15mm	JLAN	
150.01mm	±0.20mm	PART NO.	2162-3348
MATERIAL	MATERIAL	SCALE	SHEET 1/1 UNIT MM SIZE A4 REV. A
FINISH	FINISH		