

FIRE ALARM INSTRUCTIONS

Turn keyswitch to enable and PRESS appropriate key.

**** OR ****

TO SILENCE: Press 1234 + COMMAND

TO RESET: Press COMMAND until “MENU?” appears on the display.

Press the key under “YES”

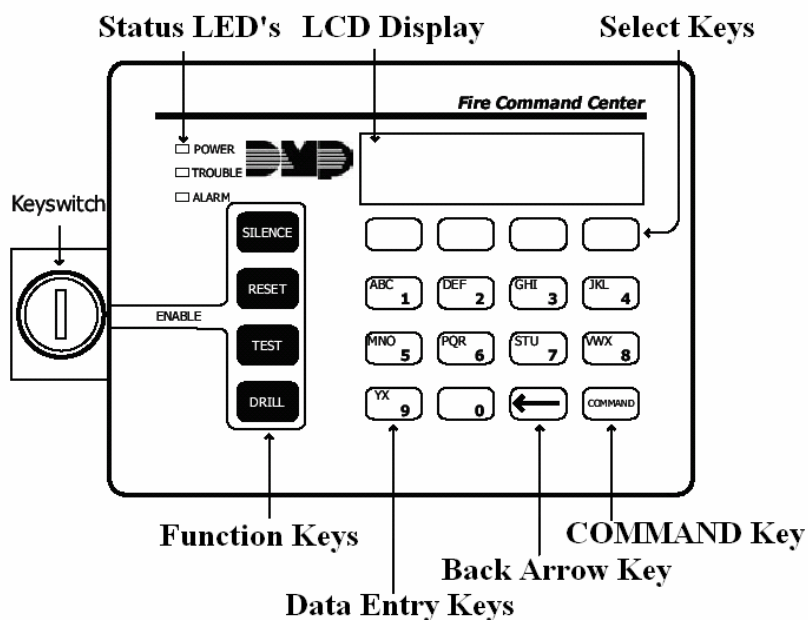
Press 1234 + COMMAND

Press COMMAND until “SENSOR RESET” appears on the display

Press any top four select keys on the keypad.

Display will indicate “SENSORS OFF” followed by “SENSORS ON”

This will reset the devices and the keypad will restore



NOTE: Call Came Security Alarms before working on the system. We receive signals on all alarms/ resets and will dispatch accordingly if we have not placed your building on “test.” (805) 544-0754