



ARROWQUIP

2020 CATTLE HANDLING PRODUCT GUIDE



TOLL FREE: 1-866-383-7827 | ARROWQUIP.COM

SUMMER 2020



ABOUT ARROWQUIP

Arrowquip was founded in 1988 by the Firth family in Australia with the mission "To influence the livestock handling industry globally through the practical application of animal science and welfare standards, and increase producer safety and profitability with innovative equipment". This inspiration came while working cattle on their family ranch in Tamworth, due to the challenges they encountered with the lack of quality livestock handling solutions available to ranchers. As a forward-thinking family, they began to develop solutions to fill this gap in the market, and have been providing the high-quality livestock handling equipment producers are seeking ever since.

Arrowquip is the only manufacturer to employ a full-time team of engineers dedicated specifically to livestock handling in our industry. Every piece of equipment we develop undergoes an extensive development period in which our R&D Team exhausts every possible avenue to make our equipment the best it can be for the handler to work their livestock. As a result, our equipment is recognized worldwide as the most innovative and thoughtfully designed livestock equipment in the market today.

In the last 30 years, Arrowquip has become a world-renowned manufacturer of livestock handling solutions known for their innovative designs, technological advancements, investment in animal science, and forward-thinking equipment. Our years of research, equipment development process, extensive testing periods, and the refusal to settle for "good enough" have set a new precedent within the livestock industry.

CONTACT

141 Railway Avenue, Woodlands, MB R0C 3H0
 Toll Free: 1-866-383-7827 | arrowquip.com
 Fax: 1-844-270-2558



CONTENTS

5	CATTLE CHUTES	
	NEW Q-Catch® 87 Series: Proper Handling Meets Precision Engineering	6
	NEW Q-Power™ 107 Series: More Than Just Silent	8
	NEW Q-Catch 74 Series: The Easiest Way to Improve Your Ranch	10
	NEW Q-Power 104 Series: The Easiest Way to Upgrade	12
	Chute Options	13
	Chute Comparison	14
	NEW 3rd Generation Head Holder & Wheel Kit	16
17	PORTABLE CATTLE CHUTES & EQUIPMENT	
	NEW Portable Q-Catch 87 Series Chute, 18' Alley & Tub	19
	NEW Portable Q-Catch 87 Series Chute, 8' Alley & Tub	21
	NEW Portable Q-Catch 87 Series Chute & 8' Alley	21
	NEW Portable Q-Catch 74 Series Chute, 8' Alley & Tub	22
	NEW Portable 16' Alley & Tub	22
	Portable Features in Focus	23
	NEW Portable Q-Power 107 Series Hydraulic Chute Upgrade	23
	3E™ BudFlow® Tub Upgrade	24
	Electric Jack Upgrade	24
	Big Things Come in Small Packages: Size Comparison	25
	Portable Comparison	26
	FINANCING CATTLE EQUIPMENT	28
29	CATTLE HANDLING & WORKING SYSTEMS	
	A System Designed for Your Unique Needs	30
	Sample Working Systems	31
	Custom Handling Systems	33
	Stress-Free Design Concepts	34
	Sample Handling Systems	36
39	CATTLE TUBS & ADJUSTABLE ALLEYS	
	3E BudFlow Cattle Tub	40
	Crowding Tub	41
	Easy Flow® Adjustable Alleys	42
	The 3E System: Easy Entry & Exit	43
	Adjustable Alleys	44
45	SORTING & DRAFTING EQUIPMENT	
	Sorting Alleys	46
	Draft Module	47
	Sorting Cattle in Your Working System	48
49	ADDITIONAL CATTLE EQUIPMENT	
	Calving Pen	50
	Weigh Crate	51
	Loading Chute	51
	Rolling Alley Gate	52
	3E Q-Catch Head Gate	52
	Vet Cage	52
	ARROWQUIP WARRANTY	53
	IMPORTANT INFORMATION	54

CATTLE CHUTES

Introducing A New Era. Constant improvement isn't just something we say. It's in our DNA. The 600 Series Cattle Chutes have set the stage for a new standard in cattle equipment, and this time, we're raising the bar even higher with our new 700 Series line up.

L-R: Q-CATCH 74 SERIES / Q-POWER 104 SERIES / Q-POWER 107 SERIES / Q-CATCH 87 SERIES
* HEAD HOLDERS, STERNUM BAR AND TRIMMING BAR SHOWN OPTIONAL

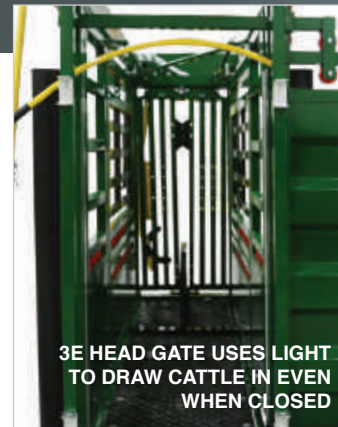
Q-CATCH®

87 SERIES

PROPER HANDLING MEETS
PRECISION ENGINEERING

3E Q-CATCH® HEAD GATE [PATENTED]

- Uses light to improve cattle flow
- **NEW** barred style draws cattle into the chute even when closed
- Patented locking mechanism with infinite adjustments – **LIFETIME WARRANTY**
- Single lever push-pull operation never requires adjustments
- Opens to a full 30" top to bottom
- Movable handle can be operated anywhere alongside the chute
- Curtain-style head gate ensures the animal will not choke



IMPROVED ACCESS

- **NEW** needle door with drop-down bar provides 12.75" of access to the neck
- Removable side access panels with **NEW** thumb latch for more configurations
- Top and bottom side access doors can be used independently or together (see right)
- Raised vet door height by 2"

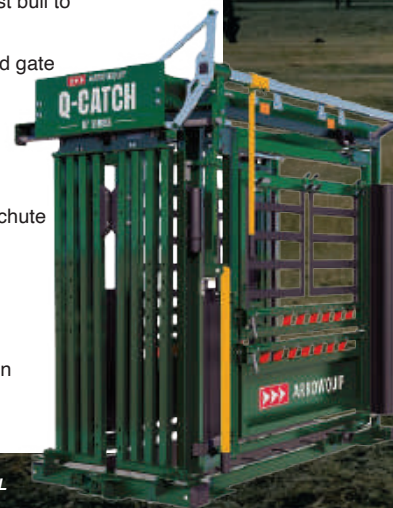


EVEN QUIETER

- **NEW** poly-coated slam latches
- **NEW** poly bushings on all pivots and hinges, including access gates and vet doors
- Patent-pending flooring made with true virgin rubber from Goodyear® – **LIFETIME WARRANTY**
- Caulking on all sheet metal panels
- Two rows of nylon rump fingers – **LIFETIME WARRANTY**
- Includes rubber-coated fiberglass rump bar

OTHER FEATURES

- Designed to work with cattle of any size - from the largest bull to the smallest calf
- **NEW** Patent-pending Direct Drive system for faster head gate response
- Upgraded heavy-duty frame with 2" x 6" beams
- Approx. 685 lbs. heavier than Q-Catch 86 Series
- Transport-ready with **NEW** wheel kit add-on
- Comes with mount brackets for scales or securing your chute to concrete
- Built-in rolling door with reversible offside handle
- Patented squeeze mechanism with infinite adjustments – **LIFETIME WARRANTY**
- Full parallel squeeze with single lever push-pull operation



MODEL OPTIONS

MODEL: Deluxe Vet [8700]
WEIGHT: 2710 lbs.
DIMENSIONS: 55" w x 95" h x 135" l

MODEL: Standard [8700MR]
WEIGHT: 1730 lbs.
DIMENSIONS: 55" w x 95" h x 95" l



**7-YEARS: LONGEST CHUTE
WARRANTY EVER OFFERED**

Q-POWER™ 107 SERIES

MORE THAN JUST SILENT

[1070]

WEIGHT: 2360 lbs.

DIMENSIONS: 60" w x 101" h x 135" l

THE NEW STEALTH UPGRADE POWER PACK TAKES QUIET HANDLING TO THE NEXT LEVEL!

- Truly silent power source
- 7.5 HP electric motor
- 900 psi operating pressure
- 1000 psi relief
- 10 gallons
- 10.9 GPM



SUPERIOR HYDRAULICS

- Faster hydraulic response
- Close head gate and tail gate at the same time
- Improved hydraulic connections and cylinders

EVEN SMARTER

- **NEW** 3E Q-Power head & tail gates improve cattle flow even in the alley
- Barred design on both gates use light to draw cattle in
- **NEW** wide-range pivoting swing arm improves cattle flow by operating further back
- **NEW** poly-coated slam latches

SILENT SCIENCE

- **NEW** poly bushings on all pivots and hinges, including access gates and vet doors
- Patent-pending flooring made with true virgin rubber from Goodyear – **LIFETIME WARRANTY**
- Caulking on all sheet metal panels
- Two rows of nylon rump fingers – **LIFETIME WARRANTY**
- Includes rubber-coated fiberglass rump bar

IMPROVED ACCESS

- **NEW** needle door with drop-down bar provides 12.75" of access to the neck
- Removable side access panels with **NEW** thumb latch for more configurations
- Top and bottom side access doors can be used independently or together as a full side exit
- Vet cage doors swing 180° in and out
- Raised vet door height by 2"

OTHER FEATURES

- Designed to work with cattle of any size - from the largest bull to the smallest calf
- Upgraded heavy-duty frame with 2" x 6" beams
- Approx. 180 lbs. heavier than Q-Power 106 Series
- Transport-ready with **NEW** wheel kit add-on
- Comes with mount brackets for scales or securing your chute to concrete
- Full parallel squeeze including the vet cage
- Curtain-style head gate ensures the animal will not choke



**3 YEARS: LONGEST HYDRAULIC CHUTE
WARRANTY EVER OFFERED**

* HEAD HOLDER OPTIONAL

1-866-383-7827 | arrowquip.com

Printed May 2020 | Product specification subject to change, images may include optional extras

1-866-383-7827 | arrowquip.com

Printed May 2020 | Product specification subject to change, images may include optional extras

Q-CATCH® 74 SERIES

THE EASIEST WAY TO IMPROVE YOUR RANCH

3E Q-CATCH HEAD GATE [PATENTED]

- Uses light to improve cattle flow
- **NEW** barred style draws cattle into the chute even when closed
- Patented locking mechanism with infinite adjustments – **LIFETIME WARRANTY**
- Single lever push-pull operation never requires adjustments
- Movable handle can be operated anywhere alongside the chute
- Curtain-style head gate ensures the animal will not choke

IMPROVED ACCESS

- **NEW** needle door with drop-down bar allows quick access to the neck
- Removable side access panels can be situated in multiple positions
- Top and bottom side access doors can be used independently or together as a full side exit
- Vet cage doors swing 180° in and out

SQUEEZE

- Parallel squeeze with single lever push-pull operation
- Designed to work with cattle of any size – from the largest bull to the smallest calf
- Patented squeeze mechanism with infinite adjustments – **LIFETIME WARRANTY**

OTHER FEATURES

- Designed to work with cattle of any size - from the largest bull to the smallest calf
- **NEW** Patent-pending Direct Drive system for faster head gate response
- Transport-ready with **NEW** wheel kit add-on
- Built-in rolling door with offside handle
- Metal-stamped ribbed floor provides great traction
- Caulking on all sheet metal panels for quieter operation
- Comes with mount brackets for scales or securing your chute to concrete
- Poly bushings on hinges and pivot points
- Single row of nylon rump fingers – **LIFETIME WARRANTY**
- Includes rubber-coated fiberglass rump bar

MODEL OPTIONS

MODEL: Deluxe Vet [7400]

WEIGHT: 1900 lbs.

DIMENSIONS: 58" w x 95" h x 130" l

MODEL: Standard [7400MR]

WEIGHT: 1680 lbs.

DIMENSIONS: 58" w x 95" h x 105" l

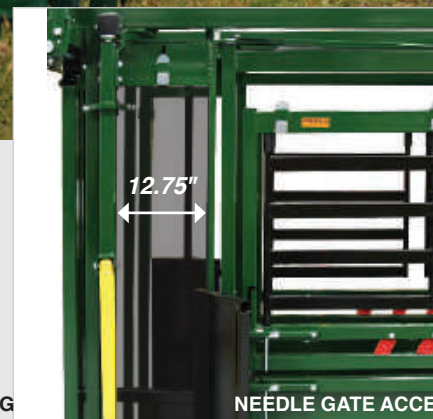
DELUXE VET MODEL



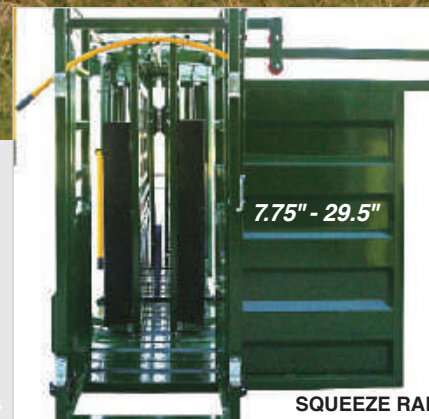
STANDARD MODEL



HEAD GATE OPENING



NEEDLE GATE ACCESS



SQUEEZE RANGE

**7-YEARS: LONGEST CHUTE
WARRANTY EVER OFFERED**

TURN THE PAGE TO UPGRADE!

Q-POWER™ 104 SERIES

THE EASIEST WAY TO UPGRADE

MODEL OPTIONS

MODEL: Deluxe Vet [1040]

WEIGHT: 1900 lbs.

DIMENSIONS: 58" w x 95" h x 135" l

MODEL: Standard [1040MR]

WEIGHT: 1620 lbs.

DIMENSIONS: 58" w x 95" h x 105" l

HYDRAULIC FEATURES

- Hydraulic 3E head gate and squeeze functions
- **NEW** hydraulic rolling door
- Comes standard with 110V electric power pack
- Pump included in price
- Rear hydraulic controller

STANDARD ELECTRIC POWER PACK








- 110V electric
- 2HP
- 7.5 gallon tank
- 2.6 GPM

DELUXE VET MODEL

STANDARD MODEL

3 YEARS: LONGEST HYDRAULIC CHUTE WARRANTY EVER OFFERED

CHUTE OPTIONS

	SPECS	Q-CATCH 87 SERIES DELUXE & STANDARD	Q-CATCH 74 SERIES DELUXE & STANDARD	Q-POWER 107 SERIES DELUXE	Q-POWER 104 SERIES DELUXE & STANDARD
	NEW 3RD GENERATION HEAD HOLDER [QC920] Weight: 129 lbs. Dimensions: 22" w x 34" h x 53" l	✓	✓	✓	✓
	NEW STERNUM BAR [STBR-8774] Weight: 47 lbs. Dimensions: 10" w x 18" h x 47" l	✓	✓	✓	✓
	NEW WHEEL KIT [WK500] Weight: 401 lbs. Dimensions: 72" w x 106-115" h x 131-171" l (Depends on chute)	✓	✓	✓	✓
	NEW TRIMMING BAR [QC-GB] Weight: 20 lbs. Dimensions: 7" w x 70" h x 25" l	✓	✓	✓	✓
	NEW CHIN BAR [CHBR] Weight: 57 lbs. Dimensions: 65" w x 27" h x 6" l		✓		✓
	HYDRAULIC HEAD SWEEP [HYD-HDSWP] Weight: 60 lbs. Dimensions: 21" w x 54" h x 14" l			✓	✓
	ELECTRIC POWER PACK [HYD-EM] • 220V • 5HP • 6.2 GPM • 10 gallons			✓	
	NEW STEALTH UPGRADE POWER PACK [HYD-EM-SQ] • 220V • 7.5 HP • 10.9 GPM • 10 gallons			✓	
	GAS POWER PACK [HYD-GM] • Gas • 7HP • 8.1 GPM • 10 gallons			✓	
	TRACTOR HOOKUP [HYD-TH] Weight: 13 lbs Dimensions: 9" w x 2" h x 26" l			✓	

CHUTE COMPARISON

	700 SERIES			400 SERIES			
							
SERIES NAME	Q-CATCH 87 SERIES STANDARD	Q-CATCH 87 SERIES DELUXE VET	Q-POWER 107 SERIES	Q-CATCH 74 SERIES STANDARD	Q-CATCH 74 SERIES DELUXE VET	Q-POWER 104 SERIES STANDARD	Q-POWER 104 SERIES DELUXE VET
CHUTE OPERATION	Manual	Manual	Hydraulic	Manual	Manual	Hydraulic	Hydraulic
FLOORING	Goodyear® Rubber			Metal-punched Steel Flooring			
HEAD GATE OPENING	30"	30"	30"	30"	30"	30"	30"
7.75" - 29.5" SQUEEZE	Full Parallel	Full Parallel	Full Parallel	Full Parallel	Parallel, excluding vet cage	Full Parallel	Parallel, excluding vet cage
VET CAGE		✓	✓		✓		✓
NECK ACCESS	12.75"	12.75"	12.75"	12.75"	12.75"	12.75"	12.75"
RUMP FINGERS	Two Rows	Two Rows & Vet Cage	Two Rows & Vet Cage	One Row	One Row	One Row	One Row
SIDE ACCESS DOORS & PANELS	✓	✓	✓	✓	✓	✓	✓
POLY-COATED SLAM LATCHES	✓	✓	✓				
TAIL GATE OPERATION	Either Side	Either Side	Hydraulic 3E Tailgate	Either Side	Either Side	Hydraulic Rolling Door	Hydraulic Rolling Door
OPTIONAL NEARSIDE TAIL GATE HANDLE	✓	✓		✓	✓	✓	
CHUTE WARRANTY	7 Years	7 Years	3 Years	7 Years	7 Years	3 Years	3 Years
LIFETIME WARRANTY	Flooring, Rump Fingers, Patented Friction Locks	Flooring, Rump Fingers, Patented Friction Locks	Flooring, Rump Fingers	Rump Fingers, Patented Friction Locks	Rump Fingers, Patented Friction Locks	Rump Fingers	Rump Fingers

NEW 3RD GENERATION HEAD HOLDER

MORE HEAVY-DUTY

[QC920]
WEIGHT: 129 lbs.
DIMENSIONS: 22" w x 34" h x 53" l

PATENTED SINGLE
LEVER CONTROL

- Works in a synchronized, scissor-style motion
- 7-year warranty
- Holds the animal's head securely and minimizes stress
- Height can be adjusted to work with animals of any size
- Patented friction lock with infinite adjustments – **LIFETIME WARRANTY**
- Allows the handler up-close access to the head
- Compact design

NEW WHEEL KIT

[WK500]
WEIGHT: 401 lbs. (Wheel kit only)
TOWING DIMENSIONS: 72" w x 106-115" h x 131-171" l
(Depends on chute)

- Simple installation
- Works with all new Arrowquip cattle chutes
- Takes up less space in storage
- Includes 2 manual jacks, 2 14" tires, an adjustable hitch, and a jack adaptor

WHEEL KIT SHOWN ON Q-CATCH 87 SERIES CHUTE

PORTABLE CATTLE WORKING SYSTEMS

It Runs In The Family. Our engineers are always searching for ways to push boundaries. With a total of 37 portable options to choose from, you're bound to find a unit that lets you be the most efficient you can be.

L-R: Q-CATCH 74 SERIES CHUTE, ALLEY & TUB / Q-POWER 107 SERIES CHUTE, 18' ALLEY & TUB / Q-POWER 107 SERIES CHUTE, ALLEY & TUB / Q-POWER 107 SERIES CHUTE & ALLEY / Q-CATCH 87 SERIES CHUTE, 18' ALLEY & TUB / Q-CATCH 87 SERIES CHUTE, ALLEY & TUB / PORTABLE TUB & ALLEY / Q-CATCH 87 SERIES CHUTE & ALLEY
* HEAD HOLDERS SHOWN OPTIONAL

NEW PORTABLE Q-CATCH 87 SERIES CHUTE, 18' ALLEY & TUB



ROLLING DOOR 1

2" X 6" BEAMS

ROLLING DOOR 2

ROLLING DOOR 3

[8718]

WEIGHT: 5990 – 6440 lbs.
(Depends on jack and tub options chosen.)

WORKING DIMENSIONS: 115-177" w x 98" h x 525" l
(When set up. Depends on tub option chosen.)

TOWING DIMENSIONS: 75" w x 108" h x 460" l
(With wheels and hitch.)

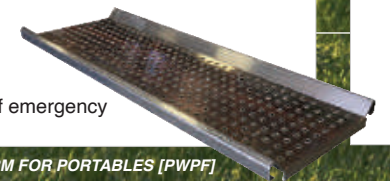
NEW Q-CATCH 87 SERIES

- Incorporated 3E System uses light to draw cattle into the chute, even when closed
- Comes with a transport pin to lock the head gate
- Movable Q-Catch handle can be operated anywhere alongside the chute
- Lifetime warranty on friction locks, rubber floor, and rump fingers
- Vet cage included
- **NEW** hydraulic chute upgrade available [10718]

*MORE CATTLE CHUTE FEATURES LISTED ON PAGE 6

EASY FLOW ADJUSTABLE ALLEY

- 18' alleyway
- Added removable panels for varied sheet height options
- Scale platform ready
- Cradle-shaped to prevent turning
- Ranges from 29.5" to 18" in width
- Sides can drop down fully in case of emergency

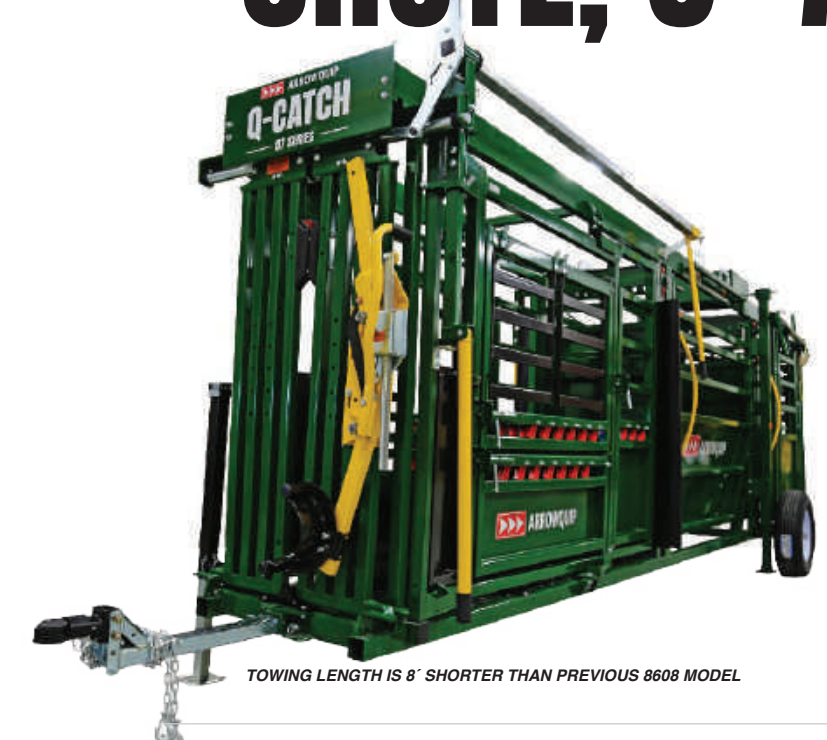


SCALE PLATFORM FOR PORTABLES [PWPF]

COLLAPSIBLE TUB

- 8' radius
- No assembly required
- Quick and easy set up
- Tub folds in itself
- No tripping hazards
- Both gates can be used as crowd gates

Q-CATCH 87 SERIES PORTABLE CHUTE, 8' ALLEY & TUB



[8708]

WEIGHT: 5070 – 5530 lbs.
(Depends on jack and tub options chosen.)

WORKING DIMENSIONS: 115-177" w x 98" h x 425" l
(When set up. Depends on tub option chosen.)

TOWING DIMENSIONS: 75" w x 108" h x 355" l
(With wheels and hitch.)

KEY FEATURES

- Most compact tow package for a full handling system
- **NEW** Q-Catch 87 Series Cattle Chute
- **NEW** Easy Flow Adjustable Alley section with removable panels
- Two top-mounted rolling doors
- 8' radius collapsible 3E BudFlow Tub
- Patented portable system frame engineered for transport durability
- Setting up takes less than 5 minutes
- Scale platform compatible
- No assembly required
- **NEW** hydraulic chute upgrade available [10708]

TOWING LENGTH IS 8' SHORTER THAN PREVIOUS 8608 MODEL

Q-CATCH 87 SERIES PORTABLE CHUTE & 8' ALLEY

[878]

WEIGHT: 3770 - 3870 lbs.
(Depends on jack option chosen.)

WORKING DIMENSIONS: 70" w x 98" h x 235" l
(When set up.)

TOWING DIMENSIONS: 75" w x 108" h x 265" l
(With wheels and hitch.)

KEY FEATURES

- Perfect for hauling from one set up to another
- Quick and easy plug and play
- **NEW** Q-Catch 87 Series Cattle Chute
- Scale platform compatible
- **NEW** Easy Flow Adjustable Alley section with removable panels
- Two top-mounted rolling doors
- **NEW** hydraulic chute upgrade available [1078]



Q-CATCH 74 SERIES PORTABLE CHUTE, 8' ALLEY & TUB

[7408]

WEIGHT: 4167 lbs.

WORKING DIMENSIONS: 93" w x 96" h x 404" l
(When set up.)

TOWING DIMENSIONS: 81" w x 106" h x 354" l
(With wheels and hitch.)

KEY FEATURES

- Setting up takes less than 5 minutes
- Full cattle handling system
- **NEW** Q-Catch 74 Series Cattle Chute
- **NEW** Easy Flow Adjustable Alley section with removable panels
- Scale platform compatible
- Two top-mounted rolling doors
- 8' radius collapsible crowding tub
- No foot traps
- Patented portable system frame
- Comes with 2 manual jacks
- No assembly required



PORTABLE

FEATURES IN FOCUS



75-87" WIDE

ENGINEERED FOR TRANSPORT

- Patented portable system frame engineered for transport durability
- Most compact towing package EVER offered
- Simple set-up and take-down
- Improved hitch has an added gusset for additional support, and the bracket can be adjusted into three different positions to work with different towing heights
- Wheels are easily installed and removed with two pins

3E SYSTEM: EASY ENTRY & EXIT

- 3E head gate uses light to draw cattle into the chute
- 3E tail gate lets cattle see light even in the alley – **HYDRAULIC UPGRADE**
- Easy Flow removable panels let you control what cattle see in the alley
- Low panel sheeting uses light to draw cattle into the tub and improve cattle flow
- 3E door leads cattle into the alley and prevents congestion – **TUB UPGRADE**

PORTABLE ALLEY & TUB

[PTA]

WEIGHT: 4080 – 4420 lbs.
(Depends on tub option chosen.)

WORKING DIMENSIONS: 115-177" w x 85" h x 395" l
(When set up. Depends on tub option chosen.)

TOWING DIMENSIONS: 75" w x 95" h x 335" l
(With wheels and hitch.)

KEY FEATURES

- Easily adapts to various chute set ups
- Basic tasks can be performed in the alleyway
- Extra section of alley adds capacity and improves cattle flow
- Scale platform compatible
- No foot traps
- **NEW** Easy Flow Adjustable Alley section with removable panels
- Optional 8' radius collapsible 3E BudFlow Tub



TAKE IT TO THE NEXT LEVEL

CHUTE UPGRADE: NEW Q-POWER 107 SERIES

MORE THAN JUST SILENT

[Available for: 10718, 10708, 1078]

- Faster hydraulic response
- Designed to work with cattle of any size - from the largest bull to the smallest calf
- Control swing arm can be operated front to back on either side
- **NEW** wide-range pivoting swing arm improves cattle flow by operating further back
- **NEW** poly-coated slam latches
- **NEW** 3E Q-Power head & tail gates improve cattle flow even in the alley
- Lifetime warranty on rubber floor and rump fingers
- Vet cage included
- Virtually silent operation with **NEW** stealth electric motor upgrade

*MORE CATTLE CHUTE FEATURES LISTED ON PAGE 8



TUB UPGRADE: 3E BUDFLOW

[Available for: 8718, 10718, 8708, 10708, PTA]

- All panels are sheeted low for better cattle flow and point of balance handling
- **NEW** 3E panel doubles as a man door
- No assembly required
- No tripping hazards
- Ability to add a load out or an additional section
- 3E door features panel clips to connect to other components like an alley, load-out, or calf table
- Folds into a narrow towing profile

3E DOOR



JACK UPGRADE: REAR ELECTRIC JACKS

[Available for: 8718, 10718, 8708, 10708, 878, 1078]

- **NEW** electric jacks feature a 24V system, powered by two maintenance-free 12V Arrowquip AGM batteries connected in series
- Front hitch is operated with a manual jack

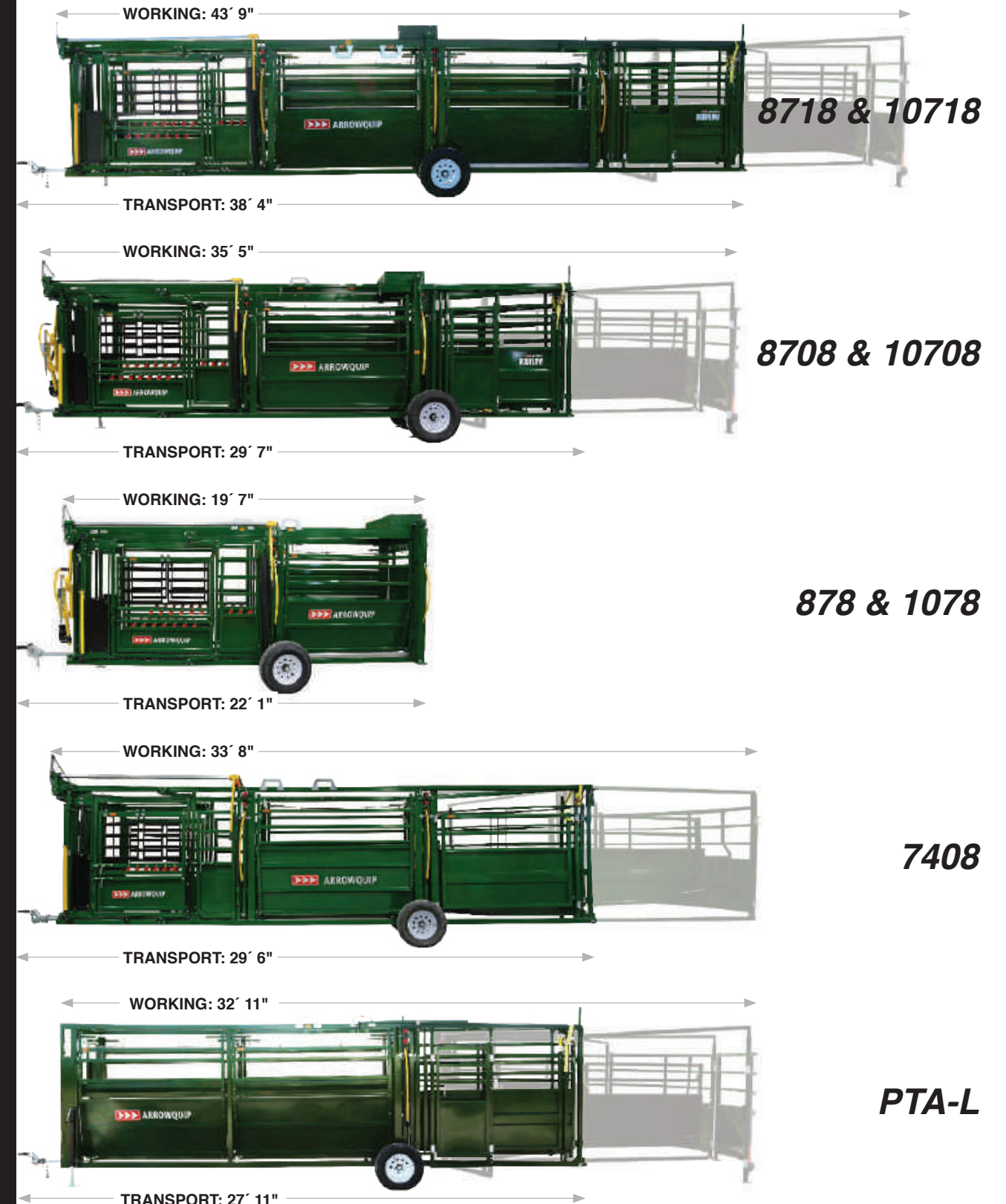


CAN LIFT / LOWER IN UNDER 2 MIN

1-866-383-7827 | arrowquip.com

Printed May 2020 | Product specification subject to change, images may include optional extras

BIG THINGS COME IN SMALL PACKAGES



1-866-383-7827 | arrowquip.com

Printed May 2020 | Product specification subject to change, images may include optional extras

PORTABLES COMP

PORTABLES COMPARISON

700 SERIES

400 SERIES

								
SERIES NAME	Q-CATCH 87 SERIES PORTABLE CHUTE, 18' ALLEY & TUB	Q-CATCH 87 SERIES PORTABLE CHUTE, 8' ALLEY & TUB	Q-CATCH 87 SERIES PORTABLE CHUTE & 8' ALLEY	Q-POWER 107 SERIES PORTABLE CHUTE, 18' ALLEY & TUB	Q-POWER 107 SERIES PORTABLE CHUTE, 8' ALLEY & TUB	Q-POWER 107 SERIES PORTABLE CHUTE & 8' ALLEY	PORTABLE 16' ALLEY & TUB	Q-CATCH 74 SERIES PORTABLE CHUTE, 8' ALLEY & TUB
SMART CODE	8718	8708	878	10718	10708	1078	PTA-L	7408
WEIGHT (DEPENDS ON JACKS AND TUB OPTIONS CHOSEN)	5990 - 6610 lbs.	5070 – 5530 lbs.	3770 – 3870 lbs.	6150 – 6610 lbs.	5250 – 5700 lbs.	3950 - 4050 lbs.	4080 – 4420 lbs.	4167 lbs.
TOWING DIMENSIONS (WITH WHEELS AND HITCH)	75" w x 108" h x 460" l	75" w x 108" h x 355" l	75" w x 108" h x 265" l	75" w x 115" h x 460" l	75" w x 115" h x 355" l	75" w x 115" h x 265" l	75" w x 95" h x 335" l	75" w x 106" h x 354" l
WORKING DIMENSIONS (DEPENDS ON TUB CHOSEN)	115-177" w x 98" h x 525" l	115-177" w x 98" h x 425" l	70" w x 98" h x 235" l	115-177" w x 105" h x 525" l	115-177" w x 105" h x 425" l	70" w x 105" h x 235" l	92" w x 95" h x 403" l	115-177" w x 85" h x 395" l
CHUTE OPERATION	Manual	Manual	Manual	Hydraulic	Hydraulic	Hydraulic	N/A	Manual
EASY FLOW ALLEY	2 sections	1 section	1 section	2 sections	1 section	1 section	2 sections	1 section
NEW EASY FLOW REMOVEABLE PANELS	✓	✓	✓	✓	✓	✓	✓	
3E BUDFLOW TUB UPGRADE	✓	✓		✓	✓		✓	
CROWDING TUB	✓	✓		✓	✓		✓	✓
TUB PANEL HEIGHT	32.5"	32.5"		32.5"	32.5"		32.5"	32.5"
MANUAL JACKS	✓	✓	✓	✓	✓	✓	✓	✓
ELECTRIC JACK UPGRADE	✓	✓	✓	✓	✓	✓		
STEALTH ELECTRIC MOTOR UPGRADE				✓	✓	✓		
STRUCTURAL BEAMS	2" x 6"	2" x 6"	2" x 6"	2" x 6"	2" x 6"	2" x 6"	2" x 3"	2" x 3"
TIRE SIZE	16"	16"	16"	16"	16"	16"	14"	14"
ROLLING DOORS	3	2	2	2	1	1	1	2
HYDRAULIC 3E TAIL GATE				1	1	1		

FINANCING*

THE SYSTEM OF YOUR DREAMS IS MORE ACCESSIBLE THAN YOU THINK!

Arrowquip's Equipment Financing Program allows you to get the equipment you need for your operation easier than ever with quick approval, easy application, and flexible payment options. Choose from Monthly, Semi-Annual, or Annual payments to best suit your budget.

MONTHLY

- No Money Down
- First payment due in 30 days

SEMI-ANNUAL

- 10% Down
- First payment due in 6 months

ANNUAL

- 10% Down
- First payment due in 12 months

FOR MORE INFORMATION, CONTACT OUR FINANCING EXPERTS AT 1-866-383-7827 OR VISIT [ARROWQUIP.COM/FINANCING](https://arrowquip.com/financing).

* FOR U.S.A. ONLY. CONTACT ARROWQUIP FOR CANADIAN FINANCING DETAILS.

CATTLE HANDLING & WORKING SYSTEMS

Welcome to Limitless Cattle Handling. At Arrowquip, we know that even the best equipment in the world can't do you any good if your system isn't properly laid out. We can take the guesswork out of confusing layouts and help you find the right solution for your unique needs. Leave compromises at the door because this time, you call the shots.

A SYSTEM DESIGNED FOR YOUR UNIQUE NEEDS

YOUR WORKING SYSTEM

Where all the action happens. In its most basic form, a complete working system consists of a cattle chute, alleyway, and a tub or pen. Throughout the years, working equipment has evolved into all shapes, sizes, and configurations.

COMPONENTS

1. CHUTES

- a. Q-Catch 87 Series Deluxe Vet & Standard
- b. Q-Catch 74 Series Deluxe Vet & Standard
- c. Q-Power 107 Series Deluxe Vet
- d. Q-Power 104 Series Deluxe Vet & Standard

2. ALLEYS

- a. Easy Flow Alley – 8' & 10'
Use with kicker panels to create curved alleyways
- b. Adjustable Alley – 8' & 16'

3. TUBS

- a. 3E BudFlow Tub – 8', 10', 12' radius
- b. Crowding Tub – 8', 10', 12' radius

4. UPGRADES

- a. Loading Chute – Optional vet cage
- b. Sorting Alley – One-way, Two-way
- c. Draft Module – Sorting after the chute
- d. Weigh Crate – Alley component

BUILT FOR YOUR RANCH

Whether you require a completely new design, or wish to work with existing structures, our team of experts will work alongside you to design a solution that will simplify daily life on your ranch. Our 30+ years of experience in the livestock industry and generations of ranching history set our cattle handling equipment and system designs apart from anything else in the industry, ensuring that you can work your animals as quickly, easily, and effectively as possible.

Work with one of our livestock equipment specialists to build a system centered around your needs and preferences. Visit arrowquip.com or call 1-866-383-7827 for a free design consultation today.

YOUR LIVESTOCK EQUIPMENT SPECIALIST WILL:

1. Answer all your design and product-related questions
2. Listen to your needs then translate into designs
3. Provide suggestions to increase efficiency
4. Optimize cattle flow within your system
5. Find the best product mix and design for your allotted budget
6. Work with your local dealer to deliver and install your system
7. Help you apply for farm equipment financing, if needed

SAMPLE WORKING SYSTEMS

DESIGN IDEAS



STANDARD HANDLING SYSTEM

BASIC COMPONENTS:

7400, QC920, T-10SA90BF, (3) EF-10, (2) RLDR

POSSIBLE UPGRADES:

- 1040 CHUTE UPGRADE
- 8700 CHUTE UPGRADE
- 1070 CHUTE UPGRADE
- LOAD-OUT UPGRADE: ADD (2) EF-10, (1) TWSA, (1) STLCT-AD

90° CURVED ALLEY

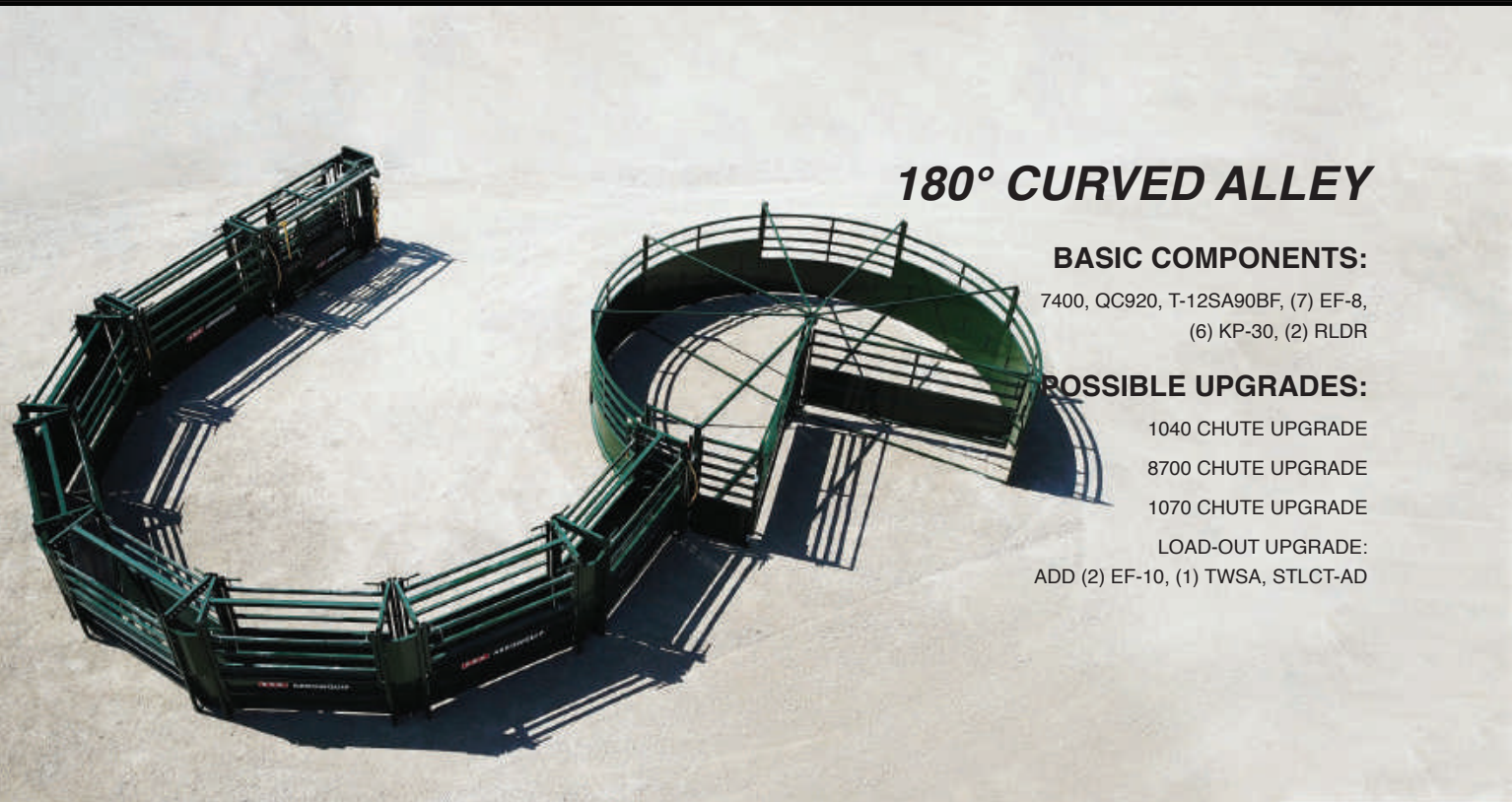
BASIC COMPONENTS:

7400, QC920, T-10SA90BF, (4) EF-8, (3) KP-30, (2) RLDR

POSSIBLE UPGRADES:

- 1040 CHUTE UPGRADE
- 8700 CHUTE UPGRADE
- 1070 CHUTE UPGRADE
- LOAD-OUT UPGRADE: ADD (2) EF-10, (1) TWSA, STLCT-AD





180° CURVED ALLEY

BASIC COMPONENTS:

7400, QC920, T-12SA90BF, (7) EF-8,
(6) KP-30, (2) RLDR

POSSIBLE UPGRADES:

1040 CHUTE UPGRADE
8700 CHUTE UPGRADE
1070 CHUTE UPGRADE
LOAD-OUT UPGRADE:
ADD (2) EF-10, (1) TWSA, STLCT-AD

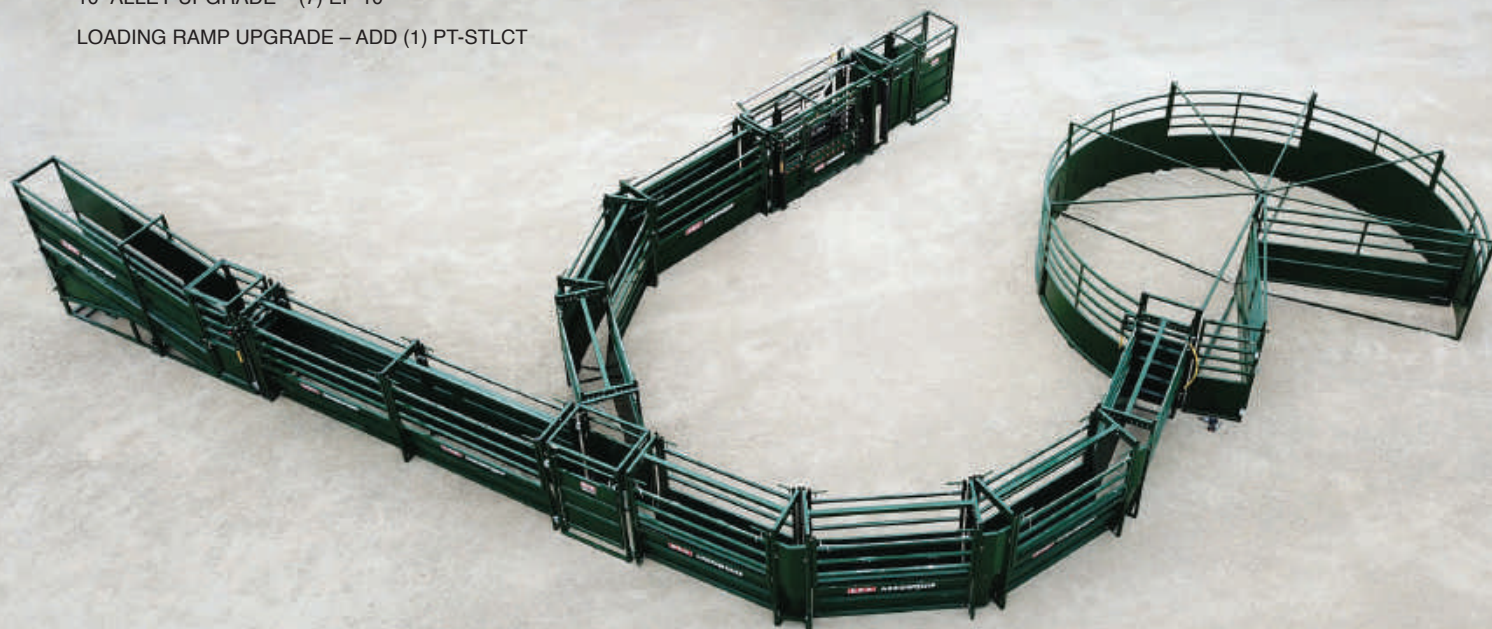
DELUXE 180° CURVED ALLEY WITH LOAD OUT

BASIC COMPONENTS:

1070, QC920, STBR-8774, T-12SA90BF, (7) EF-8, (2) EF-10, (6) KP-30, (3) RLDR, TWSA, STLCT-AD, BSA-AG

POSSIBLE UPGRADES:

10' ALLEY UPGRADE – (7) EF-10
LOADING RAMP UPGRADE – ADD (1) PT-STLCT



CUSTOM HANDLING SYSTEMS

From pasture to chute and back again, we can help you map out a path that optimizes cattle movement within your handling system. Although it may sound simple, building a proper handling system involves careful planning to ensure that all factors are being considered. When the possibilities are endless, we can be your guide.

BOW GATES AND PANELS

BOW GATES

Available in 4', 8', 10' lengths

WEIGHT: 62 lbs. | 77 lbs. | 90 lbs.

DIMENSIONS:

51" | x 2" w x 89" h | 77" | x 2" w x 89" h | 90" | x 2" w x 89" h

HIGH-BOW GATES

Available in 4', 8', 10' lengths

WEIGHT: 77 lbs. | 88 lbs. | 94 lbs.

DIMENSIONS:

51" | x 2" w x 109" h | 77" | x 2" w x 109" h | 90" | x 2" w x 109" h

PANELS

Available in 4', 8', 10' lengths

WEIGHT: 77 lbs. | 122 lbs. | 145 lbs.

DIMENSIONS:

51" | x 2.3" w x 72" h | 99" | x 2.3" w x 72" h | 121" | x 2.3" w x 72" h



4-WAY PIN CONNECTION

- Offers maximum flexibility for your system
- Lets you create infinite configurations
- Connect up to 4 panels and gates

A CLOSER LOOK

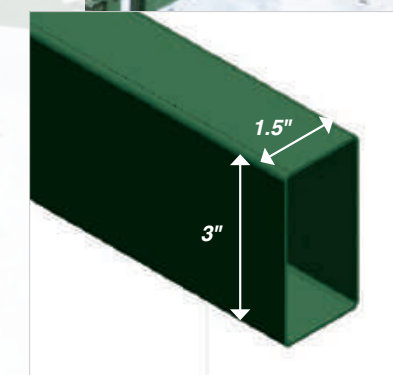
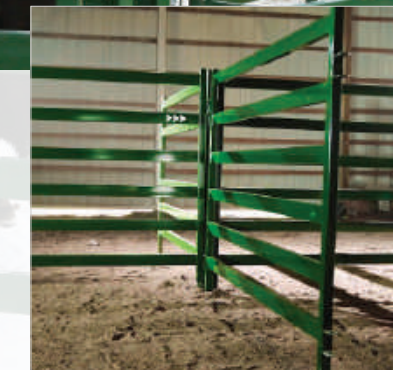
- 16-gauge heavy-duty steel
- Wide rectangular tubing enhances visibility and reduces bruising
- Powder-coated to withstand extreme weather conditions and UV rays

BOW GATES

- Includes a 2-way slam latch
- Wide-angle hinge allows the gate to swing 147° in both directions
- Features grease-free nylon bushings for easy maintenance
- Optional high-bow gate with cowboy latch

PANELS

- Rectangular shape enhances visibility and reduces bruising
- Rail gaps are spaced according to the age and height of cattle
- L-shaped foot design secures panels to the ground



STRESS-FREE DESIGN CONCEPTS

SORTING AFTER THE CHUTE

- Use the draft module to sort cattle into different pens after the chute
- Greatly saves time when you need to sort by weight, type, etc.
- With Arrowquip chutes, you can operate the draft module and head gate simultaneously

SORTING WITH THE DRAFT POUND

The draft pound is the main point of connection to all your pens. It is normally placed at the center of your set-up, however, it all depends on the needs of your operation. Compared to the straight alleyway, the draft pound is a much safer way to sort your cattle because there are no corners or tight spaces. Since cattle tend to move in curves, a round pen is an efficient shape to keep cattle moving.

KEY FEATURES

- Access all your pens in one central location
- Draft and move cattle alone, or with less help
- Sort cows and calves quicker
- Quickly move large groups from one end of your system to another
- High-bow gates available for those on horseback

CATTLE-FREE ZONE

- A safe zone apart from the flow of cattle
- Ensures technology, special equipment, and other valuables are safe
- Provides peace of mind when children are around

FLOW-FOCUSED DESIGNS

- Optimizing cattle flow from pasture to chute and back again
- Finding ways to reduce the time it takes to move and work cattle
- Guided by cattle behavior research and low-stress handling principles

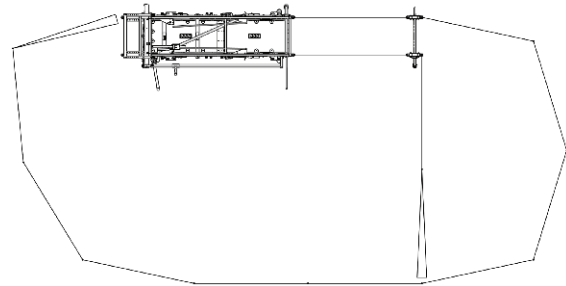


DESIGN IDEAS FOR HANDLING SYSTEMS

This section contains layouts you can use as inspiration for your own custom handling system. To help you easily compare the various components, standard and deluxe configurations are provided.

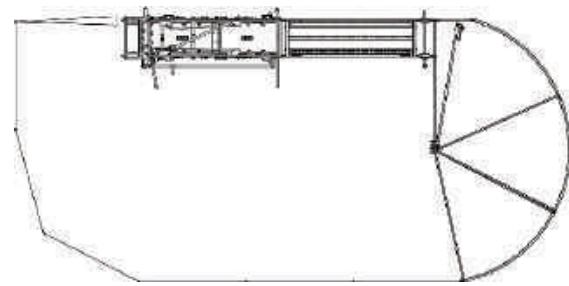
Ready to have your custom handling system drawn out? Visit arrowquip.com or call 1-866-383-7827 for a free design consultation today.

20-HEAD YARD
[AQ20]



STANDARD [APPROX. 880 SQ FT]

- Q-Catch Deluxe Cattle Chute
- Rolling Door
- 10' of Panel Alleys



DELUXE [APPROX. 880 SQ FT]

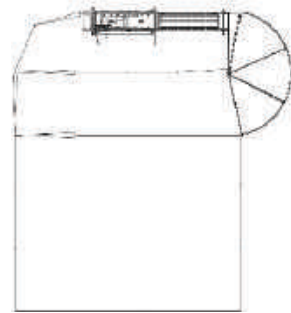
- Q-Catch Deluxe Cattle Chute
- Rolling Door
- 10' of Easy Flow Alleys
- Crowding Tub

50-HEAD YARD
[AQ50]



STANDARD [APPROX. 2,200 SQ FT]

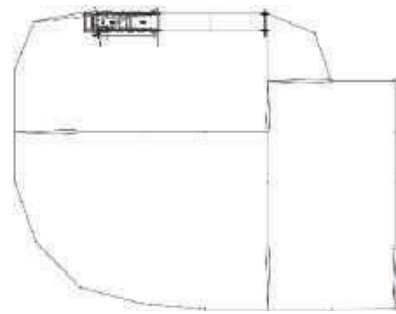
- Q-Catch Deluxe Cattle Chute
- Rolling Door
- 10' of Panel Alleys



DELUXE [APPROX. 2,300 SQ FT]

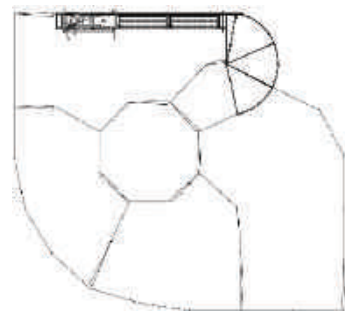
- Q-Catch Deluxe Cattle Chute
- Crowding Tub
- 10' of Easy Flow Alleys
- Cattle-Free Zone
- Rolling Door

80-HEAD YARD
[AQ80]



STANDARD [APPROX. 3,000 SQ FT]

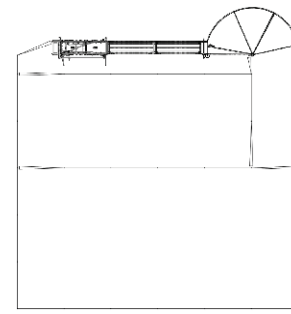
- Q-Catch Deluxe Cattle Chute
- Rolling Door
- 16' of Panel Alleys



DELUXE [APPROX. 3,776 SQ FT]

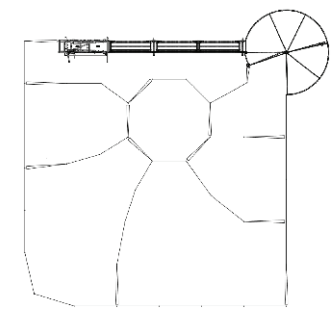
- Q-Catch Deluxe Cattle Chute
- Crowding Tub
- 20' of Easy Flow Alleys
- Draft Pound
- Rolling Door

100-HEAD YARD
[AQ100]



STANDARD [APPROX. 3,900 SQ FT]

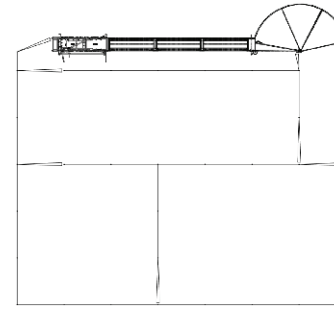
- Q-Catch Deluxe Cattle Chute
- Crowding Tub
- 20' of Easy Flow Alleys
- Cattle-Free Zone
- Rolling Door



DELUXE [APPROX. 4,340 SQ FT]

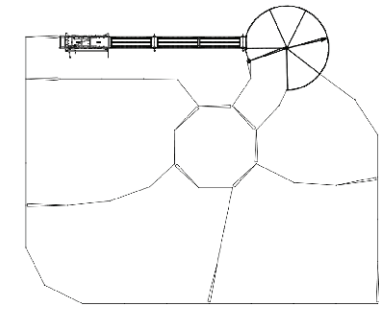
- Q-Catch Deluxe Cattle Chute
- 2 x Rolling Doors
- 30' of Easy Flow Alleys
- 3E BudFlow Tub

125-HEAD YARD
[AQ125]



STANDARD [APPROX. 4,550 SQ FT]

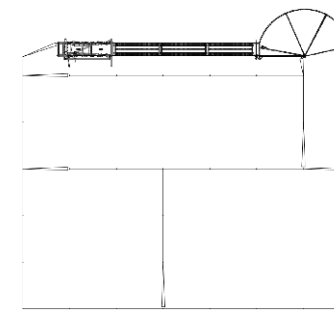
- Q-Catch Deluxe Cattle Chute
- Crowding Tub
- 30' of Easy Flow Alleys
- Cattle-Free Zone
- Rolling Door



DELUXE [APPROX. 5,880 SQ FT]

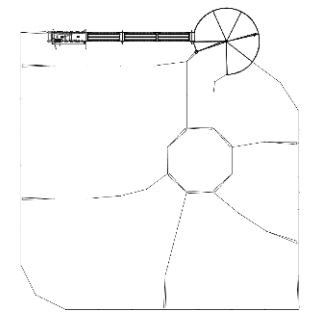
- Q-Catch Deluxe Cattle Chute
- 3E BudFlow Tub
- 30' Easy Flow Alleys
- Draft Pound
- 2 x Rolling Doors

150-HEAD YARD
[AQ150]



STANDARD [APPROX. 6,580 SQ FT]

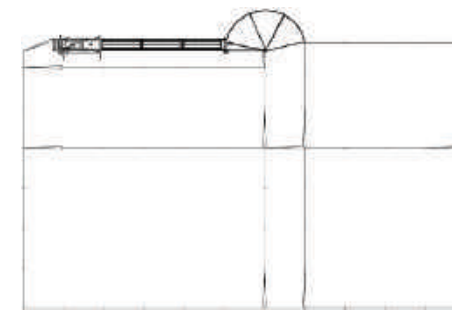
- Q-Catch Deluxe Cattle Chute
- Crowding Tub
- 30' of Easy Flow Alleys
- Cattle-Free Zone
- Rolling Door



DELUXE [APPROX. 7,380 SQ FT]

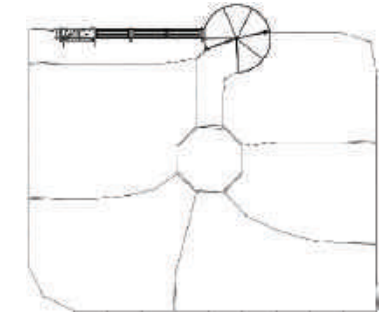
- Q-Catch Deluxe Cattle Chute
- 3E BudFlow Tub
- 30' of Easy Flow Alleys
- Draft Pound
- 2 x Rolling Doors
- Cattle-Free Zone

175-HEAD YARD
[AQ175]



STANDARD [APPROX. 8,140 SQ FT]

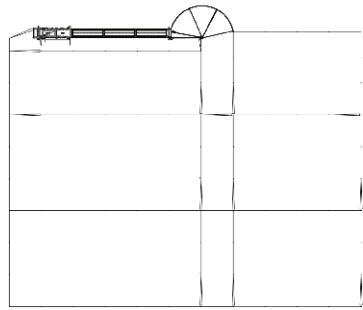
- Q-Catch Deluxe Cattle Chute
- Crowding Tub
- 30' of Easy Flow Alleys
- Cattle-Free Zone
- Rolling Door



DELUXE [APPROX. 9,180 SQ FT]

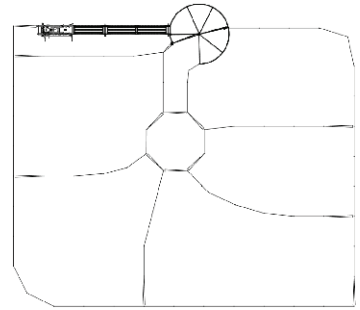
- Q-Catch Deluxe Cattle Chute
- 3E BudFlow Tub
- 30' of Easy Flow Alleys
- Draft Pound
- 2 x Rolling Doors
- Cattle-Free Zone

200-HEAD YARD
[AQ200]



STANDARD [APPROX. 10,528 SQ FT]

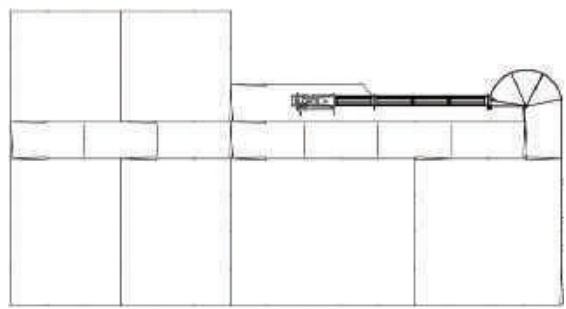
- Q-Catch Deluxe Cattle Chute
- 30' of Easy Flow Alleys
- Rolling Door
- Crowding Tub



DELUXE [APPROX. 11,200 SQ FT]

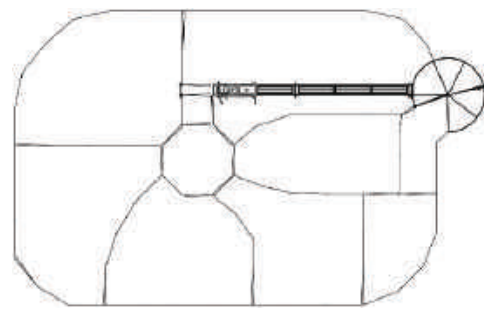
- Q-Catch Deluxe Cattle Chute
- 30' of Easy Flow Alleys
- 2 x Rolling Doors
- 3E BudFlow Tub
- Draft Pound
- Cattle-Free Zone

250-HEAD YARD
[AQ250]



STANDARD [APPROX. 12,000 SQ FT]

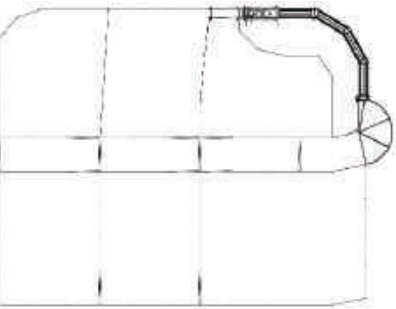
- Q-Catch Deluxe Cattle Chute
- 40' of Easy Flow Alleys
- 2 x Rolling Doors
- Crowding Tub



DELUXE [APPROX. 9,5760 SQ FT]

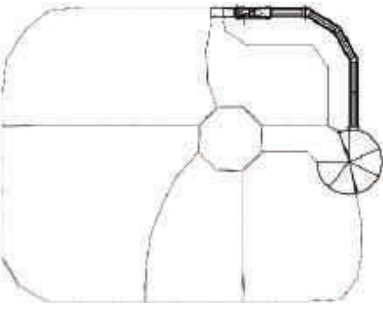
- Q-Catch Deluxe Cattle Chute
- 40' of Easy Flow Alleys
- 2 x Rolling Doors
- 3E BudFlow Tub
- Draft Pound
- Cattle-Free Zone

300-HEAD YARD
[AQ300]



STANDARD [APPROX. 10,384 SQ FT]

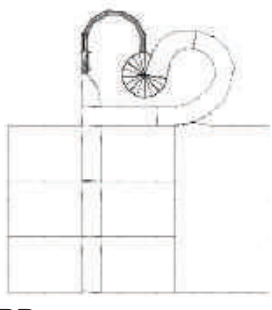
- Q-Catch Deluxe Cattle Chute
- 40' of Easy Flow Alleys
- Rolling Door
- 3 x 30° Kicker Panels
- Crowding Tub
- Cattle-Free Zone



DELUXE [APPROX. 10,120 SQ FT]

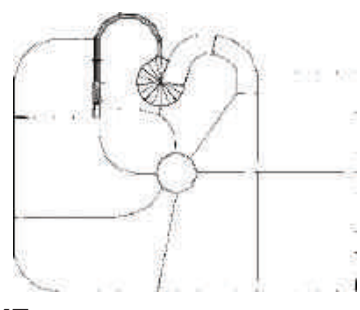
- Q-Catch Deluxe Cattle Chute
- 50' of Easy Flow Alleys
- Rolling Door
- 3 x 30° Kicker Panels
- 3E BudFlow Tub
- Cattle-Free Zone
- Draft Pound
- Sorting Alley

500-HEAD YARD
[AQ500]



STANDARD [APPROX. 20,720 SQ FT]

- Q-Catch Deluxe Cattle Chute
- 56' of Easy Flow Alleys
- Rolling Door
- 6 x 30° Kicker Panels
- 3E BudFlow Tub
- Cattle-Free Zone

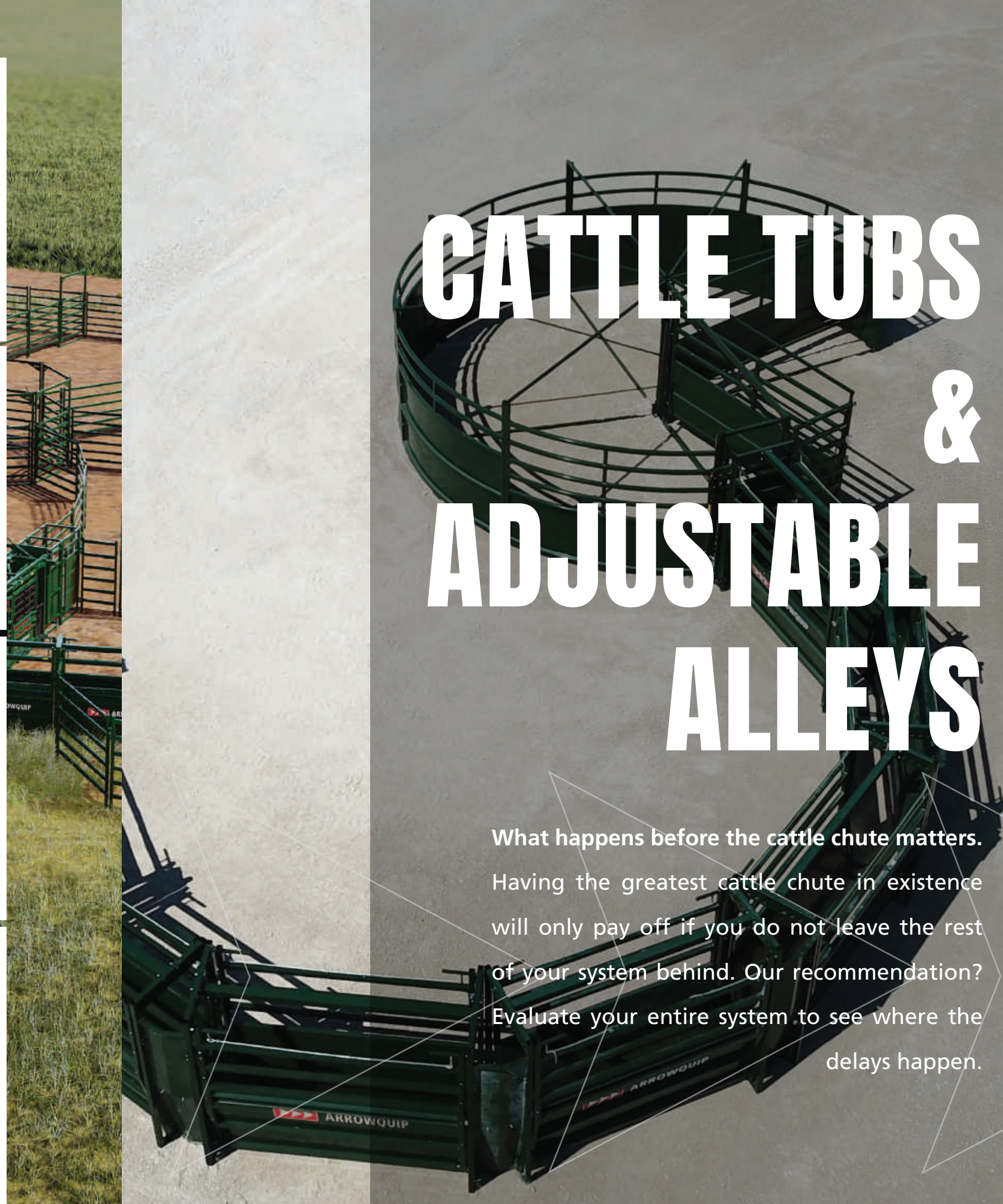


DELUXE [APPROX. 23,460 SQ FT]

- Q-Catch Deluxe Cattle Chute
- 68' of Easy Flow Alleys
- 2 x Rolling Doors
- 6 x 30° Kicker Panels
- 3E BudFlow Tub
- Draft Pound
- Cattle-Free Zone

CATTLE TUBS & ADJUSTABLE ALLEYS

What happens before the cattle chute matters. Having the greatest cattle chute in existence will only pay off if you do not leave the rest of your system behind. Our recommendation? Evaluate your entire system to see where the delays happen.



3E™ BUDFLOW® CATTLE TUBS

USING LIGHT TO IMPROVE FLOW

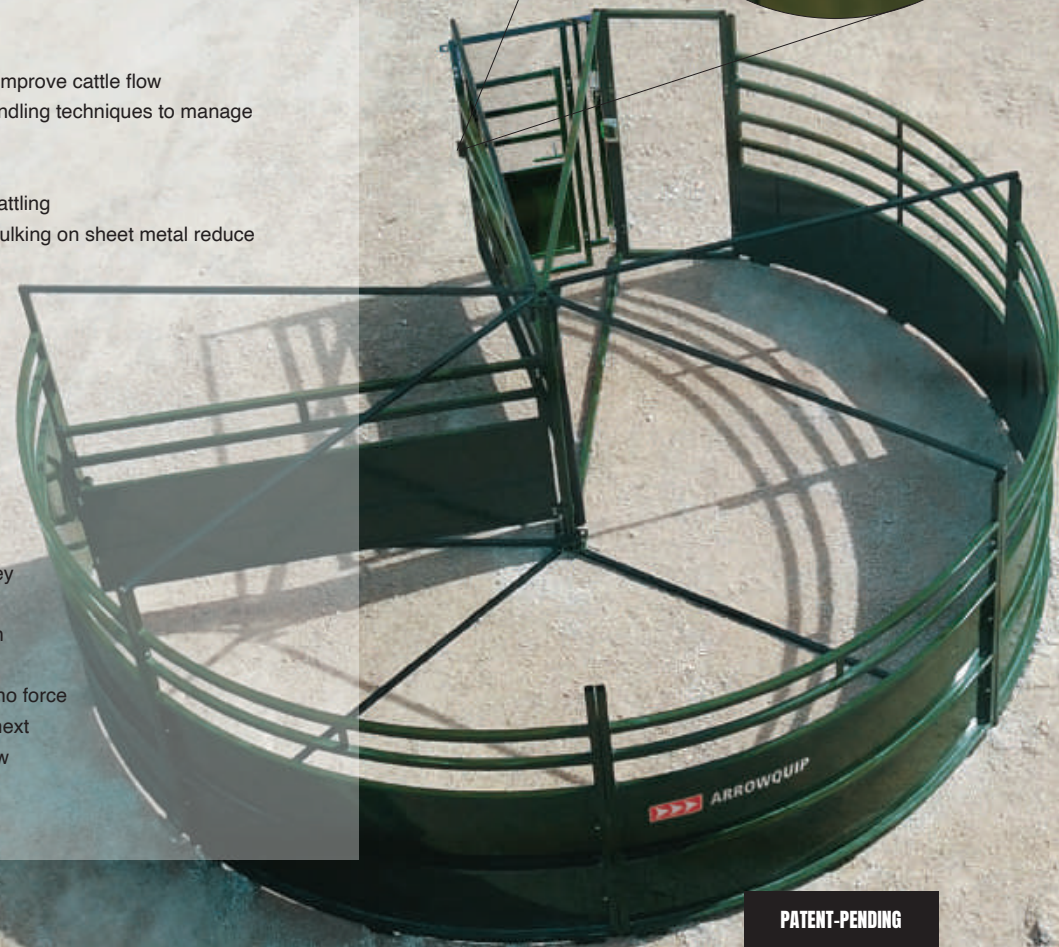
KEY FEATURES

- Incorporated 3E system uses light to improve cattle flow
- Handlers can use point of balance handling techniques to manage cattle flow from outside the tub
- 14-gauge steel sheeting
- Panels bolt together to eliminate pin rattling
- Rubber bushings on the gates and caulking on sheet metal reduce noise
- Crowd gate lock ensures that cattle cannot push back against the crowd gate
- Both gates can be used to guide cattle into the alley

HOW BUDFLOW WORKS

- Cattle enter the tub by seeing light through the 3E panels
- Cattle naturally turn back to where they entered
- When turning back, they see the open access to the alley
- Cattle move easily into the alley with no force
- If a cow hesitates to exit the tub, the next one can take charge and continue flow

NEW 3E PANEL
DOUBLES AS
A MAN DOOR



PATENT-PENDING

MODELS

8' RADIUS [T8-SA90BF]

WEIGHT: 1644 lbs.
DIMENSIONS: 194" w x 86" h x 191" l
MAX NUMBER OF ADULT CATTLE: 3-4
ALLEY LENGTH: Min. 16' (2x8' Alleys)

*Update: 33.5" low sheeting for all panels

10' RADIUS [T10-SA90BF]

WEIGHT: 2136 lbs.
DIMENSIONS: 242" w x 86" h x 241" l
MAX NUMBER OF ADULT CATTLE: 6-7
ALLEY LENGTH: Min. 30' (3x10' Alleys)

12' RADIUS [T12-SA90BF]

WEIGHT: 2463 lbs.
DIMENSIONS: 288" w x 86" h x 286" l
MAX NUMBER OF ADULT CATTLE: 9-10
ALLEY LENGTH: Min. 40' (4x10' Alleys)

Pictured: 10' Single Alley 90° BudFlow

CROWDING TUBS

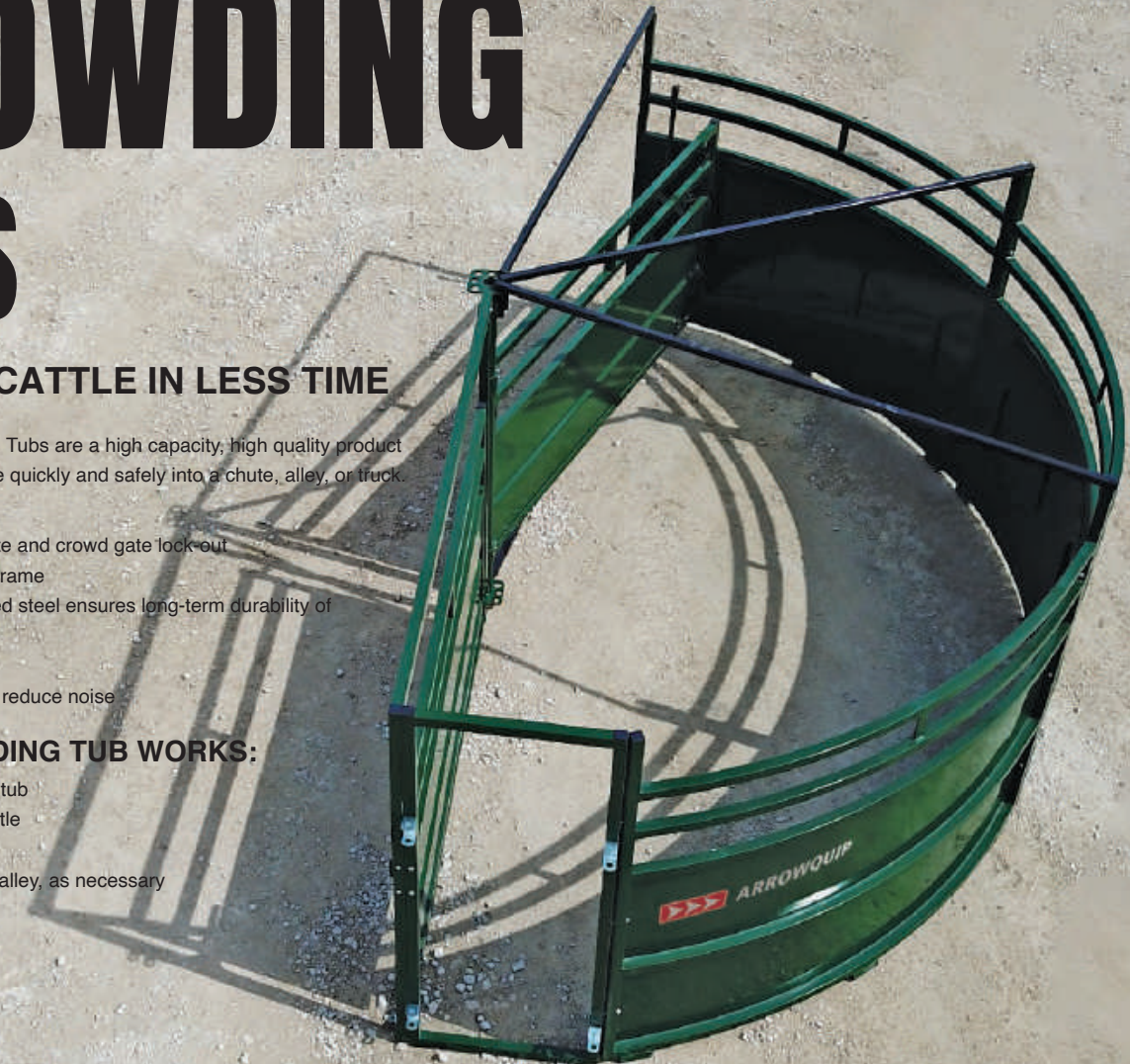
MOVE MORE CATTLE IN LESS TIME

Arrowquip's Cattle Crowding Tubs are a high capacity, high quality product designed to move your cattle quickly and safely into a chute, alley, or truck.

- Simple assembly
- Includes standard exit gate and crowd gate lock-out
- Heavy-duty HHS tubular frame
- Primed and powder-coated steel ensures long-term durability of the equipment
- 14-gauge steel sheeting
- Sheet metal is caulked to reduce noise

HOW THE CROWDING TUB WORKS:

- Cattle enter the crowding tub
- Close gate behind the cattle
- Engage crowd gate
- Crowd cattle towards the alley, as necessary



Single Alley 90° [T8/T10/T12-SA90]



Single Alley 180° [T8/T10-SA180]



Double Alley 90° [T10-DA90]



Double Alley 180° [T10-DA180]

MODELS

8' RADIUS [T8-SA90 | T8-SA180]

WEIGHT: 90° 1219 lbs. | 180° 1221 lbs.
DIMENSIONS: 102" w x 86" h x 191" l
MAX NUMBER OF ADULT CATTLE: 2-3
ALLEY LENGTH: Min. 16' (2x8' Alleys)

10' RADIUS [T10-SA90 | T10-SA180 | T10-DA90 | T10-DA180]

WEIGHT: Single Alley 90° 1486 lbs. | Single Alley 180° 1487 lbs. | Double Alley 90° 1370 lbs. | Double Alley 180° 1435 lbs.
DIMENSIONS: 126" w x 86" h x 241" l
MAX NUMBER OF ADULT CATTLE: 4-5
ALLEY LENGTH: Min. 20' (2x10' Alleys)

12' RADIUS [T12-SA90]

WEIGHT: Single Alley 90° 1843 lbs
DIMENSIONS: 144" w x 86" h x 286" l
MAX NUMBER OF ADULT CATTLE: 7-8
ALLEY LENGTH: Min. 30' (3x10' Alleys)

Pictured: 10' Single Alley 90°

1-866-383-7827 | arrowquip.com

Printed May 2020 | Product specification subject to change, images may include optional extras

Respective tub sizes work best with the recommended alley length.

EASY FLOW[®] ALLEYS

KEEP YOUR CATTLE MOVING WITH EASY FLOW

MODEL: 8' Alley [EF-08]
WEIGHT: 616 lbs.
DIMENSIONS: 34" w x 80" h x 93" l

MODEL: 10' Alley [EF-10]
WEIGHT: 723 lbs.
DIMENSIONS: 34" w x 80" h x 116" l

PATENT-PENDING

3E: EASY ENTRY & EXIT

- Control what cattle see by adjusting the removable panels to utilize light and point of balance handling techniques
- Lower bottom bar on the bows reduces foot traps upon entry and exit
- Lower sheeting simplifies handling when working with calves
- When combined with the 3E BudFlow Tub, the lower sheeted panels improve flow because cattle can see others ahead of them in the alley

EVEN QUIETER

- Sheet metal is caulked to reduce rattling
- Slam latches feature nylon bushings to minimize noise
- Alleys are bolted together to eliminate pin rattling

ENHANCED SAFETY

- Panels are bolted together, and sides are sheeted to the ground to eliminate foot traps
- Safety latches on the side panels add security and control when adjusting to keep the sides from falling accidentally
- Both side panels drop down fully, allowing the handler to access the animal in case of emergency

ADAPTABLE

- Modify the sheeting height with the removable panels to apply point of balance handling techniques
- Cradle-shaped alley accommodates cattle of any size
- Adjustable from 29.5" to 18"
- Spring-loaded locking system for simple adjustments
- Connection cables enable both side panels on the alley to be adjusted from one side

OPTIONS



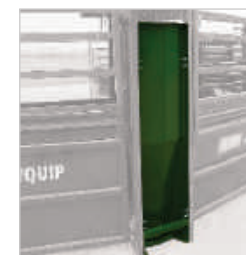
DOUBLE ALLEY MERGE SECTION
[EF-MS]
WEIGHT: 446 lbs.
DIMENSIONS: 69" w x 82" h x 54" l



ANTI-BACKING BAR
[ASTP-EF]
WEIGHT: 22 lbs.
DIMENSIONS: 8.75" w x 2" h x 44" l



ROLLING ALLEY GATE
[RLDR]
WEIGHT: 220 lbs.
DIMENSIONS: 51" w x 80" h x 15" l



30° KICKER PANEL
[EF-KP-30]
WEIGHT: 54 lbs.
DIMENSIONS: 6.1" w x 71.6" h x 17.3" l



ADDITIONAL REMOVABLE SIDE PANELS (8' [EFRP8] / 10' [EFRP10])
WEIGHT: 21 / 27 lbs.
DIMENSIONS: 2" w x 8.3" h x 85.9" / 110" l

The Scale Platform option is available for alley sections in portable handling systems only, and cannot be installed in the stationary 8' or 10' Easy Flow Alleys.

42 1-866-383-7827 | arrowquip.com

Printed May 2020 | Product specification subject to change, images may include optional extras

THE 3E[™] SYSTEM

USING LIGHT AND CATTLE BEHAVIOR TO YOUR ADVANTAGE

3E STANDS FOR EASY ENTRY & EXIT

Cattle naturally follow light when placed in an enclosed area, like being in a working system. Our 3E products are all strategically designed to draw cattle in the right direction using light, greatly improving cattle flow.

GUIDED BY ANIMAL SCIENCE

Cattle are gentle, intelligent animals that will do as they are told, if they are told correctly. Cattle are prey animals, and their preferred means of communication is sight. How cattle behave in a situation is greatly affected by what they see in their line of sight. Sound and touch can also be used to communicate with livestock, but should be used as secondary methods as they can distract cattle and cause stress.

PRODUCTS WITH THE 3E SYSTEM

NEW 3E HEAD GATE

[8700, 1070, 7400, 1040]

- Barred style lets cattle see light through the head gate at all times
- Less stressful for cattle when entering the chute

NEW HYDRAULIC 3E TAIL GATE

[1070]

- Can work simultaneously with the hydraulic 3E head gate
- Improves cattle flow in the alley

EASY FLOW ADJUSTABLE ALLEY

[EF-8, EF-10]

- Allows you to control what cattle see with NEW removable panels
- Modify the sheet height to reduce distractions and easily apply low-stress handling techniques
- No foot traps

3E BUDFLOW CATTLE TUB

[BF]

- The first 3E product from Arrowquip
- Uses low sheeted panels to draw cattle into the right direction
- 8' tub comes with uniform low sheeting to easily apply low-stress handling techniques
- No foot traps

3E TAIL GATE ON 1070



arrowquip.com
Printed May 2020 | Product specification subject to change, images may include optional extras

ADJUSTABLE ALLEYS

ACCOMMODATE CATTLE OF ANY SIZE
WITH AN EASY ADJUSTMENT



MODEL: 8' Adjustable Alley [AA8]
WEIGHT: 632 lbs.
DIMENSIONS: 35" w x 88" h x 100" l

MODEL: 16' Adjustable Alley [AA16]
WEIGHT: 1172 lbs.
DIMENSIONS: 43" w x 84" h x 202" l

- Fully adjustable from 30" to 17.5"
- Sheeted sides act as block-outs to keep cattle moving smoothly
- 14-gauge steel and heavy-duty frame are designed to withstand any weather conditions and provide years of reliable use
- Optional off-side adjustment handle

PORTABLE 26' ADJUSTABLE ALLEY

WITH TWO INTEGRATED ROLLING ALLEY GATES



MODEL: Stationary [AA26RRS] **MODEL:** Portable [AA26RR-P]
WEIGHT: 2046 lbs. **WEIGHT:** 2200 lbs.
DIMENSIONS: 43" w x 84" h x 314" l **DIMENSIONS:** 79" w x 100" h x 353" l

- All the features of our Adjustable Alleys, plus:
- Two rolling alley gates
 - Available in both left and right configurations
 - The front 8' compartment can be equipped with a scale system
 - Portable alley can be towed with ease

OPTIONS



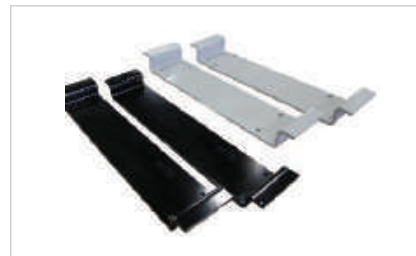
SCALE PLATFORM [WPFM]
WEIGHT: 97 lbs.
DIMENSIONS: 33" w x 3.2" h x 94.5" l

- Heavy-duty, formed 1/4" aluminum plates
- Custom designed to fit Tru-Test and Gallagher load bars
- Raised sides keep cattle from slipping off



ROLLING ALLEY GATE [RLDR]
WEIGHT: 220 lbs.
DIMENSIONS: 51" w x 80" h x 15" l

- Allows you to control cattle movement through your system effectively
- Standard offside operation handle
- Features a safety latch to lock the door closed



SCALE MOUNT PLATES
MODEL: Gallagher [SMP-GG]
WEIGHT: 22 lbs.
DIMENSIONS: 30.5" w x 2.375" h x 6" l

MODEL: Tru-Test [SMP-TT]
WEIGHT: 28 lbs.
DIMENSIONS: 30.5" w x 3.25" h x 7.25" l

SORTING & DRAFTING EQUIPMENT

The worst-kept secret of efficient workers. Sorting and drafting equipment are simple modules that help ranchers of any skill-level to divert the flow of cattle. These compact pieces, however unassuming, allow you to add more functionality to your system by connecting to other pens and alleyways.

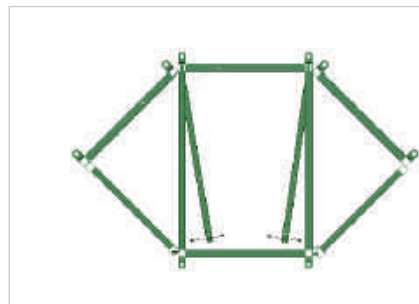




SORTING ALLEYS

SORT OR DIVERT ANY WAY YOU LIKE

- Spring-loaded doors
- Left or right-handed operation
- 4' sheeted sides
- 14-gauge steel
- Can be used to sort or divert in up to three directions
- Unlimited possibilities to create a cattle sorting configuration that suits the needs of your operation



ONE-WAY SORTING ALLEY 45°
[OWSA]
WEIGHT: 457 lbs.
DIMENSIONS: 61" w x 82" h x 54" l

ONE-WAY SORTING ALLEY 90°
[NDSA]
WEIGHT: 521 lbs.
DIMENSIONS: 70" w x 82" h x 54" l

TWO-WAY SORTING ALLEY 45°/45°
[TWSA]
WEIGHT: 577 lbs.
DIMENSIONS: 87" w x 82" h x 54" l

POST-CHUTE DRAFT MODULE

THE SIMPLEST WAY TO SORT CATTLE

DRAFT MODULE (ACCESS GATES WITH BASE SORTING ALLEY) [BSA-AG]
WEIGHT: 536 lbs.
DIMENSIONS: 32" w x 82" h x 83" l

- 14-gauge steel
- Bolts on the cattle chute or concrete for stability
- Side gates open in both directions for easy handler access and passing through
- Slam latches are placed at the top to keep the floor clear of trip hazards
- Lock stops on latches provide added security when doors are slammed shut
- Offside rubber bumper eliminates distractions to improve cattle flow
- Compatible with 400, 600, and 700 Series cattle chutes
- Connect additional sorting alleys to sort in 5 ways or more



HAVE YOU HEARD OF POST-CHUTE DRAFTING?

Did you know there is a safer way to sort a mixed group of cattle than being in the pen? Post-chute drafting provides a safer way to do this essential task, without requiring the handler to be in the pen with rowdy livestock. The flow of livestock is easily managed by running them through an open system and into the post-chute draft to sort in 3 directions or more, allowing one handler to sort large groups of cattle with ease.

SORTING CATTLE IN YOUR WORKING SYSTEM

There are a few good reasons for sorting cattle post-chute. Advocates of the method state that it is faster, easier, and safer. Cattle handling skill levels required for post-chute sorting are not as in-depth; therefore stockmen and women with less experience can utilize the method. Cattle move themselves forward into the chute, and then are released into the area of the handler's choice without the handler needing to use the pressure zone or point of balance.

The type of equipment you choose for sorting cattle in the chute area depends on your operation and purposes. Both pre- and post-chute methods work effectively. Understanding your options can help you decide which system will be the most efficient on your ranch given your type of cattle, space available, number of cattle, and availability of handlers.

Pre-chute sorting is used to divert cattle in multiple directions within an alley system. With the Cattle Sorting Alleys, you can easily create a comprehensive system that leads to different exits such as a chute, loading ramp, or yard. In case a cow that does not need to be worked through the chute enters the system, the cattle sorting alley provides an easy way for it to exit the line without disrupting the flow of the entire system. An example where we often see pre-

chute sorting used within the alley system is to load out some cattle from the herd.

Post-chute sorting is a much safer way to sort a mixed group of cattle into separate areas because it does not require the handler to be in the pen with the cattle. Using a sorting alley combined with cattle access gates allows you to manage the flow of livestock easily by running them through an open system and into a post-chute sorting module. This method keeps cattle stress levels to a minimum, while saving time and effort. For example, post-chute sorting might be done while vaccinating a big group of cattle. The system is used to sort the cattle right after they have been treated.

BENEFITS OF POST-CHUTE CATTLE SORTING

- **Minimizes Risk** – The equipment is a barrier between you and the cattle.
- **Easier Sorting** – Low-stress cattle handling skills are essential, but all you have to do is control the gate. Controlling the head gate and the draft module can be done by one person, in one position. Cattle handling is simplified and time is saved.
- **Better flow because cattle want to escape** – The chute is seen as an escape

route. Cattle enter the chute, the procedure is performed, and as they are released from the chute, they are sorted into the appropriate pen.

• **Added returns to your investment** – Cattle handling systems can be considered a big investment. Sorting cattle right after the chute adds another use to the cattle handling system, saves time, and requires fewer handlers. Using the post-chute cattle draft module allows sorting to be done simultaneously with any procedures.

In most scenarios, it is beneficial to have the option of pre- and post-chute sorting in a working system. Stockmen and women who have not had the opportunity to try post-chute sorting may benefit from seeing it in action, or working some cattle at an operation where the method is used, to fully understand all of the benefits. Post-chute sorting is not ideal for all procedures completed on cattle, and there are still instances where pre-chute sorting will be preferred. However, at the end of the day, the post-chute cattle draft module can save you time and money, and that is an outcome that none of us can argue with.

References: Cattle Sorting / Mustering and Drafting Down Under / Post-Chute Cattle Drafting

ADDITIONAL EQUIPMENT

Last, but definitely not the least. You can pretty much do anything in a cattle chute if you wanted to, but there are just some things that are far easier to do with the right equipment. When it comes to working cattle, compromising safety should never be an option.

CALVING PEN

[HCCVS]

WEIGHT: 1080 lbs.
DIMENSIONS: 110" w x 81" h x 139" l

For animal safety, control, and accessibility during critical situations, the Calving Pen is an excellent solution. The half circle shaped pen together with the sweep gate allows the handler to guide the cow into the head gate with ease. With 7.5' access at the rear and split doors on both sides of the animal, the Calving Pen offers maximum accessibility to the cow while keeping it under control.

ENHANCED SAFETY & CONTROL

- Half circle shape eliminates risk of animals backing into a corner
- Self-catch head gate opens back into the Calving Pen, making the cow stay inside after handling
- Sweep gate allows handler to control the cow without having to get into the pen
- Straight sides on the self-catch head gate reduces stress points

BETTER ACCESS

- 7.5' back gate provides better rear access for pulling calves
- Top and bottom split gates on both sides of the animal

IMPROVED DESIGN

- Half floor in the chute area keeps the pen stationary
- Access doors on sweep gate feature independent locks
- Sweep gate can be chained to the back of the pen for additional security

WEIGH CRATE

[WGCR]

WEIGHT: 1021 lbs.
DIMENSIONS: 54" w x 83" h x 119" l



- Fully adjustable from 30" to 17.5"
- Primed and powder-coated steel and the heavy-duty tubular frame ensure long-term durability of the equipment
- 14-gauge steel sheeting
- Designed to integrate into your complete cattle handling system

OPTIONS

SCALE MOUNT PLATES

MODEL: Gallagher [SMP-GG]
WEIGHT: 22 lbs.
DIMENSIONS: 30.5" w x 2.375" h x 6" l

MODEL: Tru-Test [SMP-TT]
WEIGHT: 28 lbs.
DIMENSIONS: 30.5" w x 3.25" h x 7.25" l

SCALE PLATFORM

[WPFM]
WEIGHT: 97 lbs.
DIMENSIONS: 32.5" w x 3.2" h x 94.5" l

LOADING CHUTES

- 12' loading ramp
- Fully sheeted sides with 6" vision slot
- Adjustable height ranges from 12" to 51"
- Rib-checked floor plate
- Heavy-duty construction
- The Vet Cage can be used as a pass-through for the operator, to stop the flow of cattle along the alley, or to gain safe passage into the back of the trailer
- The Portable option allows you to move the loading chute easily, and comes with a removable front hitch



PORTABLE RAMP
[STLCT-AD + PT-STLCT]
WEIGHT: 1928 lbs.
DIMENSIONS:
86" w x 132" h x 187" l
(With wheels and hitch)



STATIONARY RAMP WITH VET CAGE
[STLCT-AD + VC-STLCT]
WEIGHT: 1682 lbs.
DIMENSIONS:
43" w x 119" h x 187" l



STATIONARY RAMP
[STLCT-AD]
WEIGHT: 1139 lbs.
DIMENSIONS:
43" w x 119" h x 153" l



PORTABLE RAMP WITH VET CAGE
[STLCT-AD + PT-STLCT + VC-STLCT]
WEIGHT: 2247 lbs.
DIMENSIONS: 86" w x 132" h x 226" l
(With wheels and hitch)





ROLLING ALLEY GATE

[RLDR]

WEIGHT: 220 lbs.
DIMENSIONS: 51" w x 80" h x 15" l

- Standard offside handle
- Redesigned and reinforced heavy-duty frame
- Sound dampening guides keep distraction to a minimum
- Top hung running track eliminates the issue of build-up
- Features a safety latch to lock the door closed
- Rubber sound dampeners keep operating noise to a minimum

ARROWQUIP WARRANTY

PRODUCT/PART NAME	LIFETIME	7 YEARS	3 YEARS	1 YEAR
Locking Mechanisms	✓			
Rump Fingers	✓			
Rubber Floor	✓			
Q-Catch 87 Series Chute		✓		
Q-Catch 74 Series Chute		✓		
Head Holder		✓		
Chin Bar		✓		
Trimming Bar		✓		
3E Q-Catch Head Gate		✓		
Wheel Kit				✓
Q-Power 107 Series Chute			✓	
Q-Power 104 Series Chute			✓	
Portable Q-Catch Chute, Alley & Tub				✓
Portable Q-Catch Chute & Alley				✓
Portable Alley & Tub				✓
Loading Chutes			✓	
Portable Loading Chutes				✓
Easy Flow & Adjustable Alleys			✓	
26' Portable Adjustable Alley				✓
3E BudFlow & Crowding Tubs			✓	
Sorting Alleys & Draft Module			✓	
Calving Pen			✓	
Weigh Equipment			✓	
Vet Cage			✓	
Sternum Bar			✓	
Rolling Alley Gate			✓	
Corral Panels			✓	
Bow Gates			✓	

All Arrowquip cattle handling equipment is backed by industry-leading warranty, thanks to the countless Research and Development hours that go into each of our products. With a lifetime guarantee on all locking mechanisms, up to 7 years of warranty on Q-Catch models and a 3-year warranty on all other products, you can be confident that your purchase is backed by a company that stands behind their work.

There is no better way to secure your investment than by registering your equipment. To register your product(s), please fill out our product registration form at arrowquip.com/product-registration. If you have any questions or concerns regarding product warranty on current or previous models, please contact us at 1-866-383-7827.

DISCLAIMER

Your product must be registered to claim warranty. Any owner who fails to register their product warranty with Arrowquip through their Authorized Arrowquip Dealer voluntarily voids their warranty. Arrowquip will repair or replace products or parts of a product that prove defective due to manufacturer defect during the Warranty Period, at their sole discretion. This excludes defects resulting from normal wear and tear or product misuse. Any modification, in any fashion, to any piece of Arrowquip equipment immediately voids the warranty. This includes any parts and pieces contained therein. See arrowquip.com/product-registration to register your product.



3E Q-CATCH HEAD GATE

[PATENTED]

[QCHG]

WEIGHT: 359 lbs.
DIMENSIONS: 59" w x 93" h x 13" l

- Incorporated 3E System uses light to draw cattle towards the head gate
- Poly roller bushings give you years of hassle-free operation
- Single lever push-pull operation never requires adjustments
- Opens to a full 30" top to bottom
- Curtain-style to avoid choking
- Auto-adjusting head gate technology
- Patented locking mechanism – **LIFETIME WARRANTY**

VET CAGE

[VET]

WEIGHT: 320 lbs.
DIMENSIONS: 40" w x 80" h x 42" l

- Vet Cage doors open in both directions for a full 180° of maneuverability
- Low-profile cam-slam latch
- Can be used as a pass-through at any point in the system
- Sheeted doors are caulked for noise reduction



IMPORTANT INFORMATION

LEGAL

This brochure, and the contents contained herein, are the sole property of Arrowquip.

Unauthorized distribution, copying, disclosure, or dissemination of our texts, notices, diagrams, or photographs, even partially, is strictly prohibited. The logos and visual identity of the company are the sole property of Arrowquip and may not be used without authorization. The photos and diagrams contained in this brochure are provided for information only. All rights reserved. This document is non-contractual.

PRODUCT UPGRADES & MODIFICATIONS

Arrowquip is constantly making improvements to the products in our lineup. Therefore, Arrowquip reserves the right to modify products without prior warning, and without it being held against the company if the product does not exactly match that which is shown in this brochure.

The equipment described in this brochure may be standard, optional, or not available depending on the version. Arrowquip reserves the right to change the specifications shown at any time, and without prior warning. The manufacturer is not liable for the specifications given.

TRANSPORTING EQUIPMENT

When transporting any piece of Arrowquip equipment, it must be towed and/or transported in accordance with highway code.

LIABILITY

Under no circumstances can Arrowquip be held responsible in the event of an accident.





ARROWQUIP

CONTACT

141 Railway Avenue, Woodlands, MB R0C 3H0

Toll Free: 1-866-383-7827 | arrowquip.com

Fax: 1-844-270-2558

Printed in Canada May 2020