

## Druckarmaturen DKOS Gerade

### Anschluss

Dichtkopf 24° Außenkonus O-Ring-dichtend mit metrischer Mutter S-Reihe

### Norm

ISO 8434-1

### Anwendung

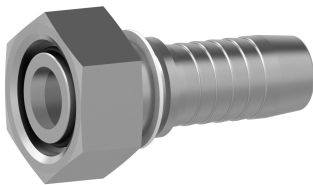
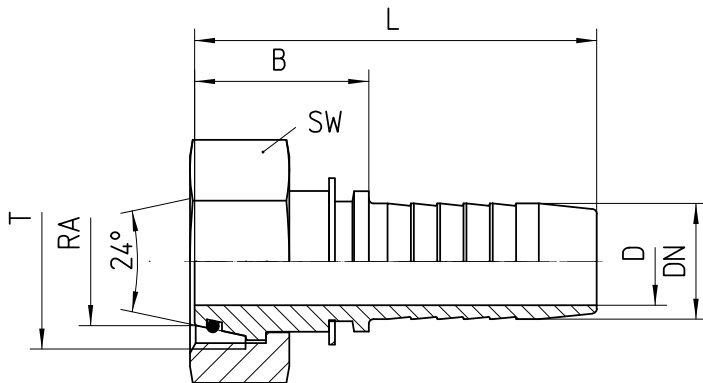
TE / SN / SC / SN-K / PTFE Schläuche

### Oberfläche

galvanisch verzinkt

### Werkstoff

Stahl



Bestell-Nr.	DN in mm	RA	T	SW in mm	min. D in mm	B±3 in mm	L±3 in mm	Hinweis
1.081-02-04	06	6S	M 14x1.5	17	2,8	25	52	
1.081-03-04	06	8S	M 16x1.5	19	4,0	25	53	
1.081-04-04	06	10S	M 18x1.5	22	4,0	25	53	
1.081-05-04	06	12S	M 20x1.5	24	4,0	27	55	
1.081-04-05	08	10S	M 18x1.5	22	5,5	25	52	
1.081-05-05	08	12S	M 20x1.5	24	5,5	25	52	
1.081-06-05	08	14S	M 22x1.5	27	5,5	29	57	
1.081-05-06	10	12S	M 20x1.5	24	7,0	26	56	
1.081-06-06	10	14S	M 22x1.5	27	7,0	27	56	
1.081-08-06	10	16S	M 24x1.5	30	7,0	28	58	
1.081-06-08	12	14S	M 22x1.5	27	7,0	32	63	
1.081-08-08	12	16S	M 24x1.5	30	10,0	30	61	
1.081-10-08	12	20S	M 30x2.0	36	10,0	33	64	
1.081-08-10	16	16S	M 24x1.5	30	10,0	32	66	
1.081-10-10	16	20S	M 30x2.0	36	13,0	35	69	
1.081-12-10/SW41	16	25S	M	41	13,0	34	68	a

			36x2.0					
<b>1.081-12-10/SW46</b>	16	25S	M 36x2.0	46	13,0	34	68	
<b>1.081-10-12</b>	19	20S	M 30x2.0	36	13,0	35	74	
<b>1.081-12-12/SW41</b>	19	25S	M 36x2.0	41	15,0	39	78	a
<b>1.081-12-12/SW46</b>	19	25S	M 36x2.0	46	15,0	39	78	
<b>1.081-16-12</b>	19	30S	M 42x2.0	50	15,0	38	77	
<b>1.081-12-16/SW46</b>	25	25S	M 36x2.0	46	15,0	41	87	
<b>1.081-16-16</b>	25	30S	M 42x2.0	50	21,0	44	90	
<b>1.081-20-16</b>	25	38S	M 52x2.0	60	21,0	37	84	
<b>1.081-16-20</b>	31	30S	M 42x2.0	50	21,0	41	95	
<b>1.081-20-20</b>	31	38S	M 52x2.0	60	27,0	51	106	
<b>1.081-20-24</b>	38	38S	M 52x2.0	60	27,0	41	99	
<b>1.081-24-24</b>	38	50S	M 68x2.0	80	33,0	53	111	
<b>1.081-24-32</b>	51	50S	M 68x2.0	80	40,0	44	119	

**Hinweis**

a) nicht nach ISO 8434-1