

Druckarmaturen DKJ 45°

Anschluss

Dichtkopf 74° Innenkonus mit UN Mutter

Norm

ISO 8434-2

Anwendung

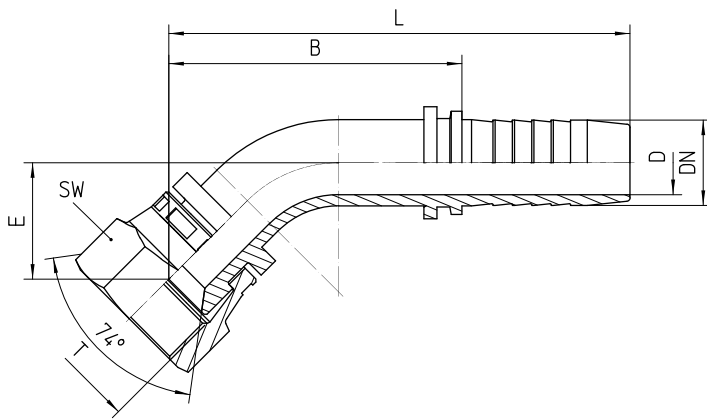
TE / SN / SC / SN-K / PTFE Schläuche

Werkstoff

Stahl

Oberfläche

galvanisch verzinkt



Bestell-Nr.	DN in mm	T in UNF/UN	SW in mm	min. D in mm	E±3 in mm	B±3 in mm	L±3 in mm
-------------	----------	-------------	----------	--------------	-----------	-----------	-----------

1.343-04-04	06	7/16-20 UNF	15	4,0	13	38	66
1.343-05-04	06	1/2-20 UNF	17	4,0	14	40	68
1.343-04-05	08	7/16-20 UNF	17	4,0	20	44	71
1.343-05-05	08	1/2-20 UNF	17	5,5	17	46	74
1.343-06-05	08	9/16-18 UNF	19	5,5	18	47	75
1.343-05-06	10	1/2-20 UNF	17	4,0	21	42	72
1.343-06-06	10	9/16-18 UNF	19	7,0	19	51	81
1.343-08-06	10	3/4-16 UNF	22	7,0	15	51	81
1.343-06-08	12	9/16-18 UNF	19	6,0	25	55	86
1.343-08-08	12	3/4-16 UNF	24	9,0	27	57	88
1.343-10-08	12	7/8-14 UNF	27	10,0	21	51	82
1.343-08-10	16	3/4-16 UNF	24	9,0	30	71	105
1.343-10-10	16	7/8-14 UNF	27	12,0	35	68	102
1.343-12-10	16	1 1/16-12 UN	32	12,0	40	73	107
1.343-10-12	19	7/8-14 UNF	27	12,0	34	81	120
1.343-12-12	19	1 1/16-12 UN	32	15,0	27	67	107
1.343-16-12	19	1 5/16-12 UN	38	15,0	30	72	112
1.343-12-16	25	1 1/16-12 UN	32	15,0	45	96	142
1.343-16-16	25	1 5/16-12 UN	41	21,0	41	82	128
1.343-20-16	25	1 5/8-12 UN	55	21,0	50	100	147
1.343-16-20	31	1 5/16-20 UN	41	21,0	37	114	168
1.343-20-20	31	1 5/8-12 UN	55	26,5	44	114	168
1.343-24-20	31	1 7/8-12 UN	60	27,0	51	133	187

1.343-24-24	38	1 7/8-12 UN	60	32,8	47	116	173
1.343-32-32	51	2 1/2-12 UN	75	44,5	61	128	202