

Druckarmaturen DKJ 90°

Anschluss

Dichtkopf 74° Innenkonus mit UN Mutter

Norm

ISO 8434-2

Anwendung

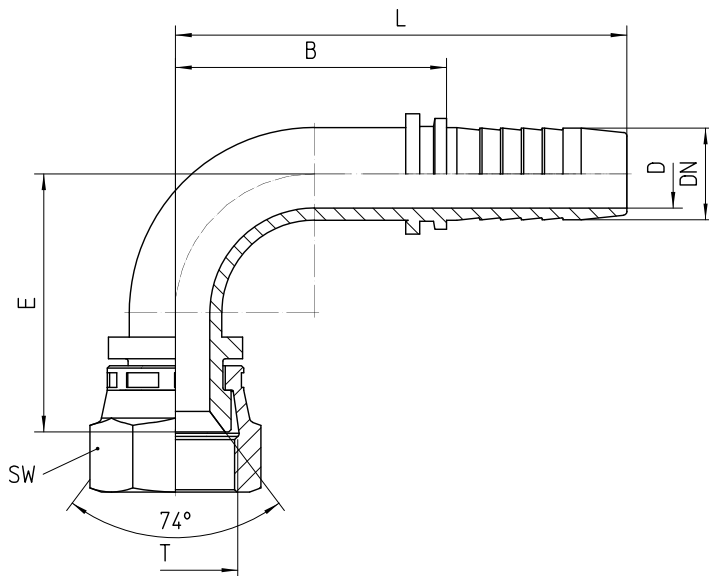
TE / SN / SC / SN-K / PTFE Schläuche

Werkstoff

Stahl

Oberfläche

galvanisch verzinkt





Bestell-Nr.	DN in mm	T in UNF/UN	SW in mm	min. D in mm	E±3 in mm	B±3 in mm	L±3 in mm
1.353-04-04	06	7/16-20 UNF	15	4,0	24	25	53
1.353-05-04	06	1/2-20 UNF	17	4,0	25	25	53
1.353-04-05	08	7/16-20 UNF	17	4,0	37	30	57
1.353-05-05	08	1/2-20 UNF	17	4,0	30	29	57
1.353-06-05	08	9/16-18 UNF	19	4,0	31	29	57
1.353-05-06	10	1/2-20 UNF	17	4,0	37	30	60
1.353-06-06	10	9/16-18 UNF	19	7,0	32	31	61
1.353-08-06	10	3/4-16 UNF	22	7,0	30	30	60
1.353-06-08	12	9/16-18 UNF	19	6,0	49	42	73
1.353-08-08	12	3/4-16 UNF	24	9,0	50	42	73
1.353-10-08	12	7/8-14 UNF	27	10,0	41	42	73
1.353-08-10	16	3/4-16 UNF	24	9,0	53	52	86
1.353-10-10	16	7/8-14 UNF	27	12,0	58	52	86
1.353-12-10	16	1 1/16-12 UN	32	12,0	66	52	86
1.353-10-12	19	7/8-14 UNF	27	12,0	60	60	99

1.353-12-12	19	1 1/16-12 UN	32	15,0	55	56	96
1.353-16-12	19	1 5/16-12 UN	38	15,0	60	56	96
1.353-12-16	25	1 1/16-12 UN	32	15,0	88	68	114
1.353-16-16	25	1 5/16-12 UN	41	21,0	81	68	114
1.353-20-16	25	1 5/8-12 UN	55	21,0	74	68	114
1.353-16-20	31	1 5/16-12 UN	41	21,0	75	94	148
1.353-20-20	31	1 5/8-12 UN	55	26,5	91	91	145
1.353-24-20	31	1 7/8-12 UN	60	27,0	103	112	166
1.353-24-24	38	1 7/8-12 UN	60	32,0	101	94	162
1.353-32-32	51	2 1/2-12 UN	75	44,5	132	132	205