

Druckarmaturen DKOS 45°

Anschluss

Dichtkopf 24° Außenkonus O-Ring-dichtend mit metrischer Mutter S-Reihe

Norm

ISO 8434-1

Anwendung

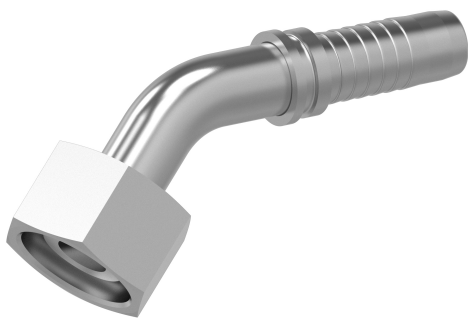
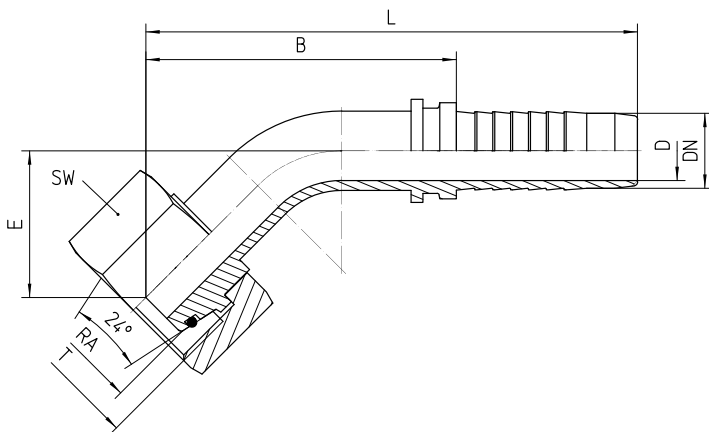
3SPC / 4SP Schläuche / 4SH19 / 4SH25

Werkstoff

Stahl

Oberfläche

galvanisch verzinkt



Bestell-Nr.	DN in	RA	T	SW in	min. D in	E±3 in	B±3 in	L±3 in	Hinweis
-------------	-------	----	---	-------	-----------	--------	--------	--------	---------

	mm			mm	mm	mm	mm	mm	
4.085-03-04	06	8S	M 16x1.5	19	4,0	18	38	72	
4.085-04-04	06	10S	M 18x1.5	22	4,0	19	39	73	
4.085-05-04	06	12S	M 20x1.5	24	4,0	18	38	72	
4.085-05-06	10	12S	M 20x1.5	24	7,0	20	41	75	
4.085-06-06	10	14S	M 22x1.5	27	7,0	21	42	76	
4.085-08-06	10	16S	M 24x1.5	30	7,0	20	41	75	
4.085-06-08	12	14S	M 22x1.5	27	7,0	26	53	91	
4.085-08-08	12	16S	M 24x1.5	30	9,0	25	53	91	
4.085-10-08	12	20S	M 30x2.0	36	9,0	27	55	93	
4.085-08-10	16	16S	M 24x1.5	30	10,0	32	68	110	
4.085-10-10	16	20S	M 30x2.0	36	12,0	29	70	112	
4.085-12-10/SW41	16	25S	M 36x2.0	41	12,0	32	69	111	a
4.085-12-10/SW46	16	25S	M 36x2.0	46	12,0	32	69	111	
4.085-10-12	19	20S	M 30x2.0	36	13,0	34	76	122	
4.085-12-12/SW41	19	25S	M 36x2.0	41	14,8	36	77	123	a
4.085-12-12/SW46	19	25S	M 36x2.0	46	14,8	36	77	123	

4.085-16-12	19	30S	M 42x2.0	50	14,8	35	72	118	
4.085-12-16/SW46	25	25S	M 36x2.0	46	13,5	40	87	142	
4.085-16-16	25	30S	M 42x2.0	50	19,9	42	89	144	
4.085-20-16	25	38S	M 52x2.0	60	19,9	36	84	139	

Hinweis

a) nicht nach ISO 8434-1