

Saug- & Niederdruckarmaturen AGR Zylindrisch Gerade

Anschluss

BSPB Außengewinde (G) mit 60° Innenkonus

Norm

ISO 8434-6

Anwendung

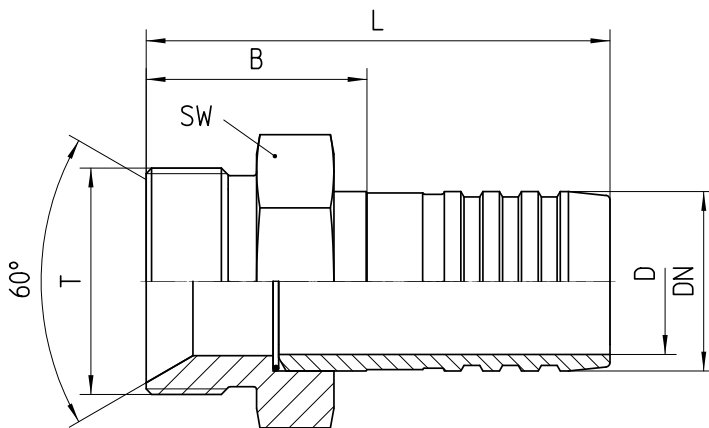
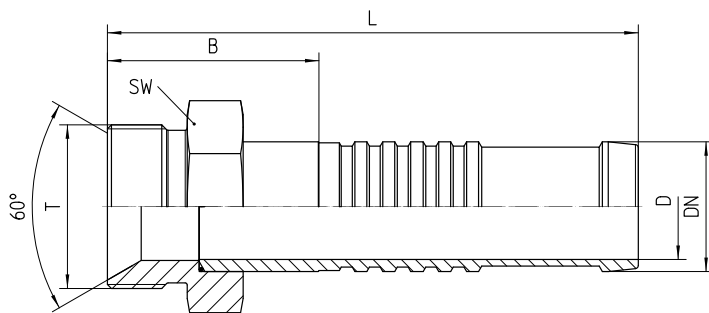
14A / 17A Schläuche

Werkstoff

Stahl

Oberfläche

galvanisch verzinkt



Bestell-Nr.	DN in mm	T in Zoll	SW in mm	D in mm	B±3 in mm	L±3 in mm	Bestell-Nr.Kurz	B±3 in mm	L±3 in mm
17.260-08-12	19	G 1/2	22	14	40	120	17.260K-08-12	36	80

17.260-12-12	19	G 3/4	27	14	40	120	17.260K-12-12	36	80
17.260-16-12	19	G 1	36	14	52	132	17.260K-16-12	48	92
17.260-12-16	25	G 3/4	27	19	40	120	17.260K-12-16	36	80
17.260-16-16	25	G 1	36	19	40	120	17.260K-16-16	36	80
17.260-20-16	25	G 1 1/4	46	19	53	133	17.260K-20-16	49	93
17.260-12-20	31	G 3/4	27	26	53	133	17.260K-12-20	49	93
17.260-16-20	31	G 1	36	26	53	133	17.260K-16-20	36	80
17.260-20-20	31	G 1 1/4	46	26	40	120	17.260K-20-20	36	80
17.260-24-20	31	G 1 1/2	50	26	63	143	17.260K-24-20	59	103
17.260-12-24	38	G 3/4	27	32	60	140	17.260K-12-24	73	117
17.260-16-24	38	G 1	36	32	60	140	17.260K-16-24	49	93
17.260-20-24	38	G 1 1/4	46	32	45	125	17.260K-20-24	39	83
17.260-24-24	38	G 1 1/2	50	32	45	125	17.260K-24-24	45	89
17.260-32-24	38	G 2	65	32	72	152	17.260K-32-24	68	112
17.260-16-32	51	G 1	36	44	84	176	17.260K-16-32	70	115
17.260-20-32	51	G 1 1/4	46	44	79	171	17.260K-20-32	63	108
17.260-24-32	51	G 1	50	44	46	138	17.260K-	66	111

		1/2					24-32		
17.260-32-32	51	G 2	65	44	48	140	17.260K-32-32	50	95
17.260-40-32	51	G 2 1/2	80	44	58	150	17.260K-40-32	50	95
17.260-20-36	60	G 1 1/4	46	53	80	172	17.260K-20-36	88	133
17.260-24-36	60	G 1 1/2	50	53	81	173	17.260K-24-36	88	133
17.260-32-36	60	G 2	65	53	58	150	17.260K-32-36	55	100
17.260-40-36	60	G 2 1/2	80	53	58	150	17.260K-40-36	70	115
17.260-48-36	60	3	90	53	63	155	17.260K-48-36	70	115
17.260-40-48	76	G 2 1/2	80	60	59	151	17.260K-40-48	66	111
17.260-48-48	76	G 3	90	60	55	147	17.260K-48-48	62	107