

## Adapters KOVO 90°

### connection

One side: sealing head 24° external cone o-ring sealing with metric nut L / S-series

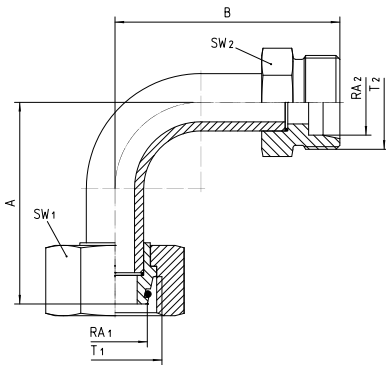
Other side: metric external thread with 24° internal one and pipe connection L / S-series

### Material

Steel

### Surface protection

Zinc-electroplated



Bestell-Nr.	RA1	RA2	T1	T2	SW1 in mm	SW2 in mm	A±3 in mm	B±3 in mm
<b>90KOVO 6-L/ 6-L</b>	6-L	6-L	M 12x1.5	M 12x1.5	14	12	26	30
<b>90KOVO 6-S/ 6-S</b>	6-S	6-S	M 14x1.5	M 14x1.5	17	14	26	33
<b>90KOVO 8-L/ 8-L</b>	8-L	8-L	M 14x1.5	M 14x1.5	17	14	30	32
<b>90KOVO 8-S/ 8-S</b>	8-S	8-S	M 16x1.5	M 16x1.5	19	17	32	35
<b>90KOVO 10-L/10-L</b>	10-L	10-L	M 16x1.5	M 16x1.5	19	17	34	40
<b>90KOVO 10-S/10-S</b>	10-S	10-S	M 18x1.5	M 18x1.5	22	19	35	38
<b>90KOVO 12-L/12-L</b>	12-L	12-L	M 18x1.5	M 18x1.5	22	19	34	36
<b>90KOVO 12-S/12-S</b>	12-S	12-S	M 20x1.5	M 20x1.5	24	22	36	40
<b>90KOVO 14-S/14-S</b>	14-S	14-S	M 22x1.5	M 22x1.5	27	22	37	41
<b>90KOVO 15-L/15-L</b>	15-L	15-L	M 22x1.5	M 22x1.5	27	22	43	49
<b>90KOVO 16-S/16-S</b>	16-S	16-S	M 24x1.5	M 24x1.5	30	24	45	49
<b>90KOVO 18-L/18-L</b>	18-L	18-L	M 26x1.5	M 26x1.5	32	27	52	54
<b>90KOVO 20-S/20-S</b>	20-S	20-S	M 30x2,0	M 30x2,0	36	30	54	59
<b>90KOVO 22-L/22-L</b>	22-L	22-L	M 30x2,0	M 30x2,0	36	30	62	68
<b>90KOVO 25-S/25-S</b>	25-S	25-S	M 36x2,0	M 36x2,0	46	36	65	77
<b>90KOVO 28-L/28-L</b>	28-L	28-L	M	M	41	36	71	77

			36x2,0	36x2,0				
<b>90KOVO 30-S/30-S</b>	30-S	30-S	M 42x2,0	M 42x2,0	50	46	76	90
<b>90KOVO 35-L/35-L</b>	35-L	35-L	M 45x2,0	M 45x2,0	50	46	84	91
<b>90KOVO 38-S/38-S</b>	38-S	38-S	M 52x2,0	M 52x2,0	60	55	87	96
<b>90KOVO 42-L/42-L</b>	42-L	42-L	M 52x2,0	M 52x2,0	60	55	90	100

#### Accessories

3437309

#### Optionen

deviating angle and dimensions on request