

Adapters Threaded branch

Connection

metric external thread with 60° internal cone LL series

Standard

DIN 7631 / DIN 3852

Application

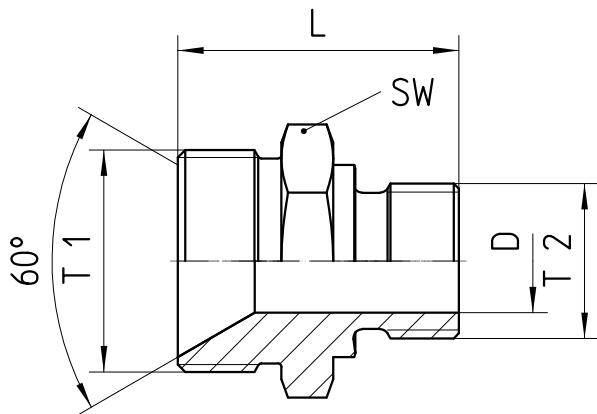
for suction and return lines

Material

Steel

Surface protection

Zinc-electroplated



Bestell-Nr.	DN in mm	T1	T2	SW in mm	D in mm	L ±3 in mm

GE M 52x1.5 G 1 1/4	38	M 52x1.5	G 1 1/4	55	30	54
GE M 52x1.5 G 1 1/2	38	M 52x1.5	G 1 1/2	55	39	56
GE M 65x2 G 1 1/2	51	M 65x2,0	G 1 1/2	75	39	57
GE M 65x2 G 2	51	M 65x2,0	G 2	75	50	57
GE M 78x2 G 2	60	M 78x2,0	G 2	90	50	57
GE M 78x2 G 2 1/2	60	M 78x2,0	G 2 1/2	90	56	59