

## Pressure fittings DKL straight

### Connection

Universal sealing head 23° outside cone with metric nut L series

### Standard

ISO 8434-1

### Application

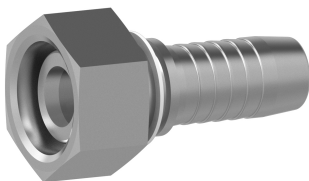
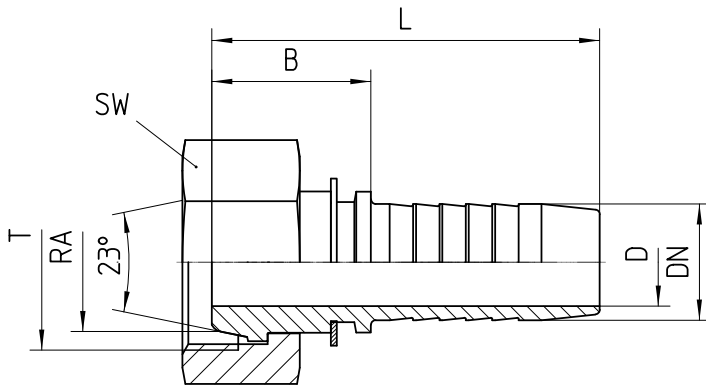
TE / SN / SC / SN-K / PTFE flexible tubes

### Material

Steel

### Surface protection

Zinc-electroplated



Bestell-Nr.	DN in mm	RA	T	SW in mm	min. D in mm	B±3 in mm	L±3 in mm
-------------	----------	----	---	----------	--------------	-----------	-----------

<b>1.041-03-04</b>	06	6L	M 12x1.5	14	3,5	24	51
<b>1.041-04-04</b>	06	8L	M 14x1.5	17	4,0	20	47
<b>1.041-05-04</b>	06	10L	M 16x1.5	19	4,0	20	48
<b>1.041-04-05</b>	08	8L	M 14x1.5	17	4,0	24	51
<b>1.041-05-05</b>	08	10L	M 16x1.5	19	5,5	20	48
<b>1.041-06-05</b>	08	12L	M 18x1.5	22	5,5	20	48
<b>1.041-05-06</b>	10	10L	M 16x1.5	19	7,0	25	55
<b>1.041-06-06</b>	10	12L	M 18x1.5	22	7,0	21	51
<b>1.041-08-06</b>	10	15L	M 22x1.5	27	7,0	22	52
<b>1.041-06-08</b>	12	12L	M 18x1.5	22	7,0	28	59
<b>1.041-08-08</b>	12	15L	M 22x1.5	27	10,0	23	54
<b>1.041-10-08</b>	12	18L	M 26x1.5	32	10,0	26	57
<b>1.041-08-10</b>	16	15L	M 22x1.5	27	10,0	28	62
<b>1.041-10-10</b>	16	18L	M 26x1.5	32	13,0	25	59