

Pressure fittings DKR 45°

Connection

Sealing head 60° outside cone with BSPP nut (G)

Standard

ISO 8434-6

Application

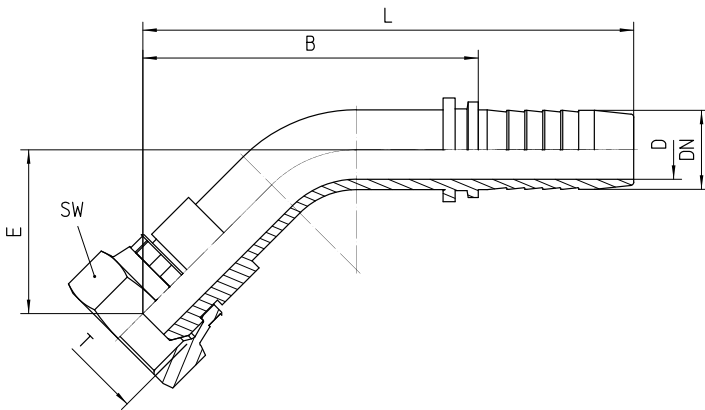
TE / SN / SC / SN-K / PTFE flexible tubes

Material

Steel

Surface protection

Zinc-electroplated



Bestell-Nr.	DN in mm	T in inch	SW in mm	min. D in mm	E±3 in mm	B±3 in mm	L±3 in mm
1.233-04-04	06	1/4	19	4,0	15	41	69
1.233-06-04	06	3/8	22	4,0	18	44	72
1.233-04-05	08	1/4	17	5,5	15	38	65
1.233-06-05	08	3/8	22	5,5	19	51	79
1.233-06-06	10	3/8	22	7,0	15	38	68
1.233-08-06	10	1/2	27	7,0	16	39	69
1.233-06-08	12	3/8	22	7,0	26	56	87
1.233-08-08	12	1/2	27	10,0	29	59	90
1.233-10-08	12	5/8	30	10,0	30	57	88
1.233-08-10	16	1/2	27	10,0	33	71	105
1.233-10-10	16	5/8	30	12,0	36	68	102
1.233-12-10	16	3/4	32	12,6	30	73	107
1.233-10-12	19	5/8	30	12,0	38	81	120
1.233-12-12	19	3/4	32	14,8	40	84	123
1.233-16-12	19	1	41	14,8	42	85	124
1.233-12-16	25	3/4	32	14,8	42	91	137
1.233-16-16	25	1	41	21,0	45	94	140
1.233-20-16	25	1 1/4	50	20,0	43	93	139
1.233-16-20	31	1	41	21,0	40	113	167
1.233-20-20	31	1 1/4	50	26,5	48	123	177
1.233-24-20	31	1 1/2	55	26,5	50	114	168
1.233-20-24	38	1 1/4	50	26,5	62	128	185

1.233-24-24	38	1 1/2	55	32,5	64	133	191
1.233-32-24	38	2	70	32,5	65	131	188
1.233-24-32	51	1 1/2	55	32,5	57	127	202
1.233-32-32	51	2	70	44,5	65	140	215
1.233-40-36	60	2 1/2	85	52,0	53	148	228