

## Pressure fittings DKOL 90°

### Connection

Sealing head 24° outside cone O-ring sealing with metric nut L series

### Standard

ISO 8434-1

### Application

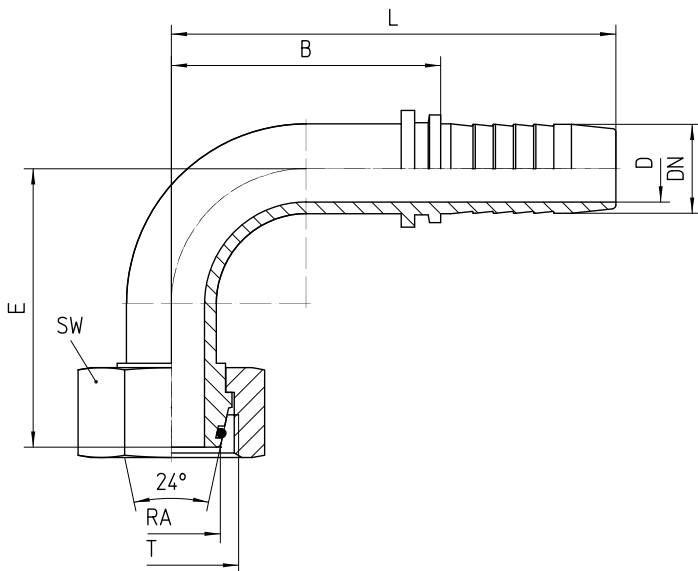
3SPC / 4SP hoses / 4SH19 / 4SH25

### Material

Steel

### Surface protection

Zinc-electroplated





Bestell-Nr.	DN in mm	RA	T	SW in mm	min. D in mm	E±3 in mm	B±3 in mm	L±3 in mm
<b>4.059-03-04</b>	06	6L	M 12x1.5	14	2,8	29	27	61
<b>4.059-04-04</b>	06	8L	M14 x1.5	17	4,0	31	27	61
<b>4.059-05-04</b>	06	10L	M 16x1.5	19	4,0	33	27	61
<b>4.059-05-06</b>	10	10L	M 16x1.5	19	5,5	35	31	65
<b>4.059-06-06</b>	10	12L	M 18x1.5	22	7,0	35	31	65
<b>4.059-08-06</b>	10	15L	M 22x1.5	27	7,0	33	31	65
<b>4.059-06-08</b>	12	12L	M 18x1.5	22	7,5	46	42	80
<b>4.059-08-08</b>	12	15L	M 22x1.5	27	9,0	44	42	80
<b>4.059-10-08</b>	12	18L	M 26x1.5	32	9,0	46	42	80
<b>4.059-08-10</b>	16	15L	M 22x1.5	27	8,8	56	53	95
<b>4.059-10-10</b>	16	18L	M 26x1.5	32	12,0	55	53	95
<b>4.059-12-10</b>	16	22L	M 30x2.0	36	12,0	56	51	93
<b>4.059-10-12</b>	19	18L	M 26x1.5	32	11,5	61	60	106
<b>4.059-12-12</b>	19	22L	M 30x2.0	36	14,8	64	60	106
<b>4.059-16-12</b>	19	28L	M 36x2.0	41	14,8	62	59	105

<b>4.059-12-16</b>	25	22L	M 30x2.0	36	13,8	74	65	120
<b>4.059-16-16</b>	25	28L	M 36x2.0	41	19,9	75	63	118
<b>4.059-20-16</b>	25	35L	M 45x2.0	50	19,9	74	65	120