

Suction and low-pressure fittings SFL straight

Connection

SAE flange 3000PSI (L series)

Standard

ISO 6162-1

Application

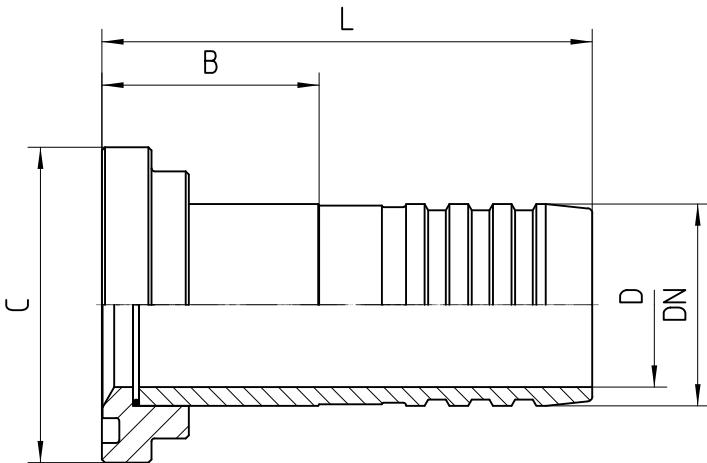
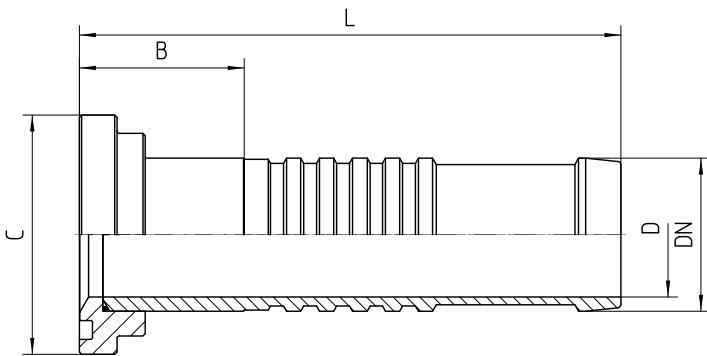
14A / 17A flexible tubes

Material

Steel

Surface protection

Zinc-electroplated



Bestell-Nr.	DN in mm	flange in inch	C in mm	D in mm	B±3 in mm	L±3 in mm	Order-No.	B±3 in mm	L±3 in mm

17.420-08-12	19	1/2	30,2	14	36	116	17.420K-08-12	32	76
17.420-12-12	19	3/4	38,1	14	27	107	17.420K-12-12	23	67
17.420-16-12	19	1	44,4	14	27	107	17.420K-16-12	23	67
17.420-20-12	19	1 1/4	50,8	14	24	104	17.420K-20-12	20	64
17.420-12-16	25	3/4	38,1	19	46	126	17.420K-12-16	42	86
17.420-16-16	25	1	44,4	19	27	107	17.420K-16-16	23	67
17.420-20-16	25	1 1/4	50,8	19	27	107	17.420K-20-16	23	67
17.420-24-16	25	1 1/2	60,3	19	28	108	17.420K-24-16	24	68
17.420-12-20	31	3/4	38,1	26	68	148	17.420K-12-20	44	88
17.420-16-20	31	1	44,4	26	47	127	17.420K-16-20	43	87
17.420-20-20	31	1 1/4	50,8	26	37	117	17.420K-20-20	33	77
17.420-24-20	31	1 1/2	60,3	26	38	118	17.420K-24-20	43	87
17.420-32-20	31	2	71,4	26	47	127	17.420K-32-20	43	87
17.420-16-24	38	1	44,4	32	49	129	17.420K-16-24	45	89
17.420-20-24	38	1 1/4	50,8	32	45	125	17.420K-20-24	41	85
17.420-24-24	38	1 1/2	60,3	32	28	108	17.420K-24-24	34	78
17.420-32-24	38	2	71,4	32	46	126	17.420K-	42	86

							32-24		
17.420-40-24	38	2 1/2	84,1	32	46	126	17.420K-40-24	62	106
17.420-20-32	51	1 1/4	50,8	44	71	163	17.420K-20-32	73	118
17.420-24-32	51	1 1/2	60,3	44	63	155	17.420K-24-32	60	105
17.420-32-32	51	2	71,4	44	36	128	17.420K-32-32	53	98
17.420-40-32	51	2 1/2	84,1	44	46	138	17.420K-40-32	63	108
17.420-48-32	51	3	101,6	44	45	137	17.420K-48-32	63	108
17.420-24-36	60	1 1/2	60,3	53	62	154	17.420K-24-36	75	120
17.420-32-36	60	2	71,4	53	58	150	17.420K-32-36	65	110
17.420-40-36	60	2 1/2	84,1	53	38	130	17.420K-40-36	45	90
17.420-48-36	60	3	101,6	53	58	150	17.420K-48-36	65	110
17.420-56-36	60	3 1/2	114,3	53	127	219	17.420K-56-36	75	120
17.420-32-48	76	2	71,4	69	93	185	17.420K-32-48	100	145
17.420-40-48	76	2 1/2	84,1	69	77	169	17.420K-40-48	84	129
17.420-48-48	76	3	101,6	69	58	150	17.420K-48-48	64	109
17.420-56-48	76	3 1/2	114,3	69	67	159	17.420K-56-48	82	127
17.420-64-48	76	4	127,0	69	93	185	17.420K-64-48	80	125

17.420-40-56	90	2 1/2	84,1	82	100	192	17.420K-40-56	107	152
17.420-48-56	90	3	101,6	82	80	172	17.420K-48-56	87	132
17.420-56-56	90	3 1/2	114,3	82	80	172	17.420K-56-56	67	112
17.420-64-56	90	4	127,0	82	80	172	17.420K-64-56	97	142
17.420-80-56	90	5	152,4	82	146	238	17.420K-80-56	103	148
17.420-48-64	102	3	101,6	94	96	188	17.420K-48-64	98	146
17.420-56-64	102	3 1/2	114,3	94	83	175	17.420K-56-64	87	135
17.420-64-64	102	4	127,0	94	73	165	17.420K-64-64	77	125
17.420-80-64	102	5	152,4	94	91	183	17.420K-80-64	95	143
17.420-56-96	152	3 1/2	114,3	142	212	340	17.420K-56-96	205	285
17.420-64-96	152	4	127,0	142	210	338	17.420K-64-96	202	282
17.420-80-96	152	5	152,4	142	82	210	17.420K-80-96	92	172