

Suction and low-pressure fittings fixed DIN flange 45°

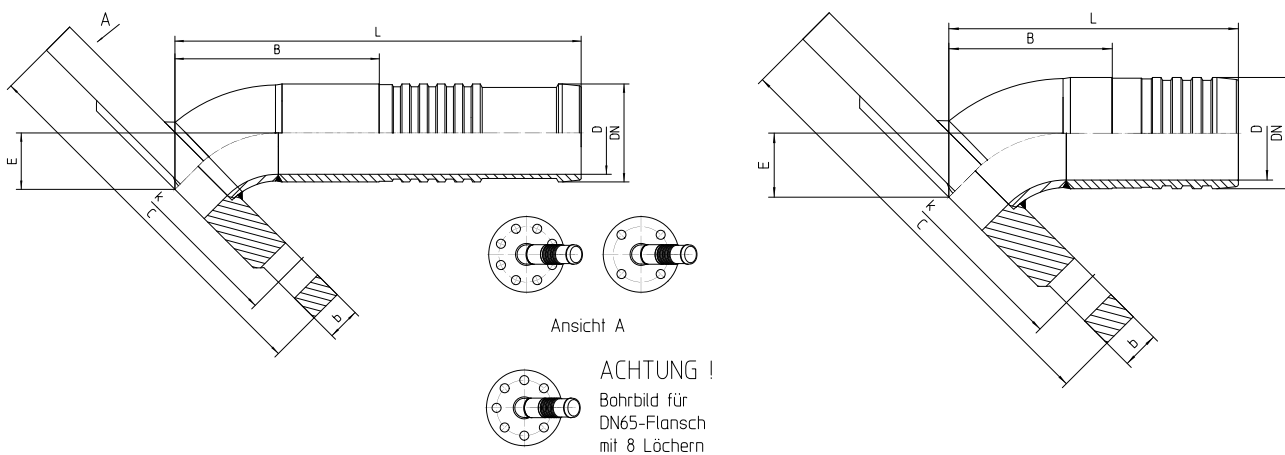
Connection
DIN flange fixed

Standard
DIN 2633/2527 (new: EN1092-1, Typ 11 PN16 and Typ 05 PN16)

Application
14A / 17A flexible tubes

Material
Steel

Surface protection
Zinc-electroplated



Bestell-Nr.	DN in mm	DN DIN- Flange	C in mm	b in mm	k in mm	number of screws	screws T	d in mm	D in mm	E±3 mm	B±3 mm	L±3 mm	Order No.	B±3 mm	L±3 mm
17.425-12-12	19	20	105	16 (18)	75	4	M12	14	14	20 (21)	112 (113)	192 (193)	17.425K- 12-12	108 (109)	152 (153)
17.425-16-12	19	25	115	16 (18)	85	4	M12	14	14	20 (21)	112 (113)	192 (193)	17.425K- 16-12	108 (109)	152 (153)
17.425-12-16	25	20	105	16 (18)	75	4	M12	14	19	22 (23)	122 (123)	202 (203)	17.425K- 12-16	118 (119)	162 (163)
17.425-16-16	25	25	115	16 (18)	85	4	M12	14	19	22 (23)	122 (123)	202 (203)	17.425K- 16-16	118 (119)	162 (163)
17.425-20-16	25	32	140	16 (18)	100	4	M16	18	19	22 (23)	132 (133)	212 (213)	17.425K- 20-16	128 (129)	172 (173)
17.425-12-20	31	20	105	16 (18)	75	4	M12	14	26	22 (23)	76 (77)	156 (157)	17.425K- 12-20	72 (73)	116 (117)
17.425-16-20	31	25	115	16 (18)	85	4	M12	14	26	22 (23)	76 (77)	156 (157)	17.425K- 16-20	72 (73)	116 (117)

17.425-20-20	31	32	140	16 (18)	100	4	M16	18	26	22 (23)	86 (87)	166 (167)	17.425K- 20-20	82 (83)	126 (127)
17.425-24-20	31	40	150	16 (18)	110	4	M16	18	26	27 (28)	87 (88)	167 (168)	17.425K- 24-20	83 (84)	127 (128)
17.425-12-24	38	20	105	16 (18)	75	4	M12	14	32	22 (23)	74 (75)	154 (155)	17.425K- 12-24	70 (71)	114 (115)
17.425-16-24	38	25	115	16 (18)	85	4	M12	14	32	22 (23)	74 (75)	154 (155)	17.425K- 16-24	70 (71)	114 (115)
17.425-20-24	38	32	140	16 (18)	100	4	M16	18	32	22 (23)	86 (87)	166 (167)	17.425K- 20-24	81 (83)	126 (127)
17.425-24-24	38	40	150	16 (18)	110	4	M16	18	32	22 (23)	83 (84)	163 (164)	17.425K- 24-24	83 (84)	127 (128)
17.425-32-24	38	50	165	18	125	4	M16	18	32	34	103	183	17.425K- 32-24	99	143
17.425-16-32	51	25	115	16 (18)	85	4	M12	14	44	22 (23)	74 (75)	166 (167)	17.425K- 16-32	81 (82)	126 (127)
17.425-20-32	51	32	140	16 (18)	100	4	M16	18	44	27 (28)	69 (70)	161(162)	17.425K- 20-32	76 (77)	121 (122)
17.425-24-32	51	40	150	16 (18)	110	4	M16	18	44	27 (28)	69 (70)	161(162)	17.425K- 24-32	76 (77)	121 (122)
17.425-32-32	51	50	165	18	125	4	M16	18	44	34	93	185	17.425K- 32-32	100	145
17.425-40-32	51	65	185	18	145	4 (8)	M16	18	44	37	103	195	17.425K- 40-32	110	155
17.425-16-36	60	25	115	16 (18)	85	4	M12	14	53	22 (23)	77 (78)	169 (170)	17.425K- 16-36	84 (85)	129 (130)
17.425-20-36	60	32	140	16 (18)	100	4	M16	18	53	27 (28)	81 (82)	173 (174)	17.425K- 20-36	88 (89)	133 (134)
17.425-24-36	60	40	150	16 (18)	110	4	M16	18	53	34 (35)	93 (94)	185 (186)	17.425K- 24-36	89 (90)	134 (135)
17.425-32-36	60	50	165	18	125	4	M16	18	53	34	93	185	17.425K- 32-36	100	145
17.425-40-36	60	65	185	18	145	4 (8)	M16	18	53	37	100	192	17.425K- 40-36	107	152
17.425-48-36	60	80	200	20	160	8	M16	18	53	50	118	210	17.425K- 48-36	125	170
17.425-20-48	76	32	140	16 (18)	100	4	M16	18	69	27 (28)	106 (107)	198 (199)	17.425K- 20-48	113 (114)	158 (159)
17.425-24-48	76	40	150	16 (18)	110	4	M16	18	69	34 (35)	116 (117)	208 (209)	17.425K- 24-48	123 (124)	168 (169)
17.425-32-48	76	50	165	18	125	4	M16	18	69	37	120	212	17.425K-	127	172

													32-48		
17.425-40-48	76	65	185	18	145	4 (8)	M16	18	69	50	105	197	17.425K-40-48	112	157
17.425-48-48	76	80	200	20	160	8	M16	18	69	37	105	197	17.425K-48-48	112	157
17.425-64-48	76	100	220	20	180	8	M16	18	69	58	121	213	17.425K-64-48	128	173
17.425-24-56	90	40	150	16 (18)	110	4	M16	18	82	37 (38)	125 (126)	217 (218)	17.425K-24-56	132 (131)	177 (176)
17.425-32-56	90	50	165	18	125	4	M16	18	82	50	123	215	17.425K-32-56	130	175
17.425-40-56	90	65	185	18	145	4 (8)	M16	18	82	50	123	215	17.425K-40-56	130	175
17.425-48-56	90	80	200	20	160	8	M16	18	82	45	118	210	17.425K-48-56	138	183
17.425-64-56	90	100	220	20	180	8	M16	18	82	69	152	244	17.425K-64-56	160	205
17.425-32-64	102	50	165	18	125	4	M16	18	94	50	145	237	17.425K-32-64	149	197
17.425-40-64	102	65	185	18	145	4 (8)	M16	18	94	50	145	237	17.425K-40-64	149	197
17.425-48-64	102	80	200	20	160	8	M16	18	94	60	119	211	17.425K-48-64	123	171
17.425-64-64	102	100	220	20	180	8	M16	18	94	48	134	226	17.425K-64-64	149	197
17.425-80-64	102	125	250	22	210	8	M16	18	94	69	175	267	17.425K-80-64	179	227
17.425-64-96	152	100	220	20	180	8	M16	18	142	56	280	408	17.425K-64-96	167	247
17.425-80-96	152	125	250	22	210	8	M16	18	142	72	197	325	17.425K-80-96	188	268
17.425-96-96	152	150	285	22	240	8	M20	22	142	78	197	325	17.425K-96-96	160	240
17.425-128-96	152	200	340	24	295	12	M20	22	142	97	182	310	17.425K-128-96	190	270

Note
deviating measurements when En flanges are used