

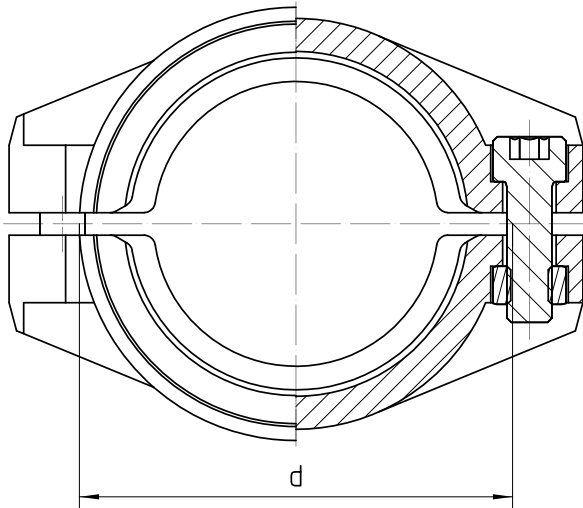
Suction and low-pressure fittings Clamp mouting 113

Application

fitting type dh1000 fittings up to DN31, fitting type dh13 for DN38 an bigger (on request)
14A / KARA25 hoses

Material

Aluminium / brass



Bestell-Nr.	Order no. old	DN in mm	clamp range d in mm
113-001	113-022024-AI	13	22 - 24
113-002	113-024026-MS	13	24 - 26
113-003	113-026028-MS	13	26 - 28
113-004	113-030033-AI	19	30 - 33
113-005	113-032034-MS	19	32 - 34
113-006	113-034036AL	19	34 - 36
113-007	113-036039-AL	25	36 - 39
113-008	113-037039-MS	25	37 - 39

113-009	113-039041-MS	25	39 - 41
113-010	113-040043-AI	25	40 - 43
113-011	113-041043-MS	25	41 - 43
113-012	113-043046-AI	31	43 - 46
113-013	113-047050-AI	31	47 - 50
113-014	113-050052-AI	38	50 - 52
113-016	113-053056-AI	38	53 - 56
113-017	113-057060-AI	38	57 - 60
113-018	113-058061-AI	40	58 - 61
113-019	113-064067-AI	52	64 - 67
113-020	113-067069-MS	52	67 - 69
113-021	113-069071-AI	52	69 - 71
113-022	113-073076-MS	52	73 - 76
113-023	113-078082-AI	65	78 - 82
113-024	113-084087-AI	65	84 - 87
113-025	113-088091-MS	65	88 - 91
113-026	113-089093-AI	75	89 - 93
113-027	113-094097-AI	75	94 - 97
113-029	113-098101-AI	75	98 - 101
113-030	113-099102-AI	80	99 - 102
113-031	113-114119-AI	102	114 - 119
113-032	113-118122-AI	102	118 - 122
113-033	113-122126-AI	102	122 - 126

113-034	113-126130-AI	102	126 - 130
113-035	113-130134-AI	102	130 - 134
113-036	113-143148-AI	125	143 - 148
113-037	113-149154-AI	125	149 - 154
113-038	113-153158-AI	125	153 - 158
113-039	113-168174-AI	152	168 - 174
113-040	113-174180-AI	152	174 - 180
113-041	113-178184-AI	152	178 - 184
113-042	113-222229-AI	200	222 - 229
113-043	113-230239-AI	200	230 - 239