

# ACCESSORIES TSSPORT

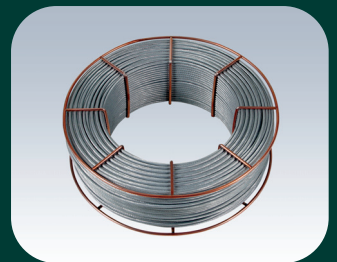
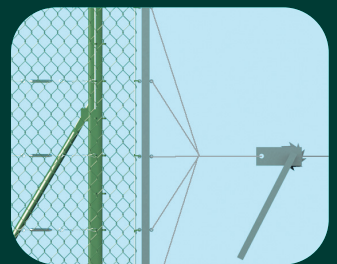
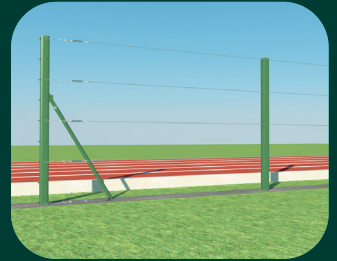
FOR A CERTIFIED SPORT FENCING SYSTEM

## POLES

Steel profiled square/rectangular pole, made from hot galvanized steel, plasticized with green PVC (RAL 6005), with head sealed by a cap made of green plastic.

External perimetral separators UNI 10121-2				Internal perimetral separators UNI 10121-2				
accessories	height cm	section mm	thickness mm	unit weight kg ca.	H mm	section mm	thickness mm	unit weight kg ca.
<b>corner posts</b> Galvanized + powder coated green posts, square shape, with metallic cap	300	120x120	3,00	34	270	80x80	3,00	20,4
<b>other posts</b> Galvanized + powder coated green posts, rectangular shape, with metallic cap	300	120x60	3,00	25	270	80x60	3,00	17,3
<b>stays</b> Galvanized + powder coated green stays, round shape	253	60x30	3,00	10,3	253	60x30	3,00	10,3
<b>Steel tension bars</b> PVC coated	255	10,00	-	1,6	225	10,00	-	1,4

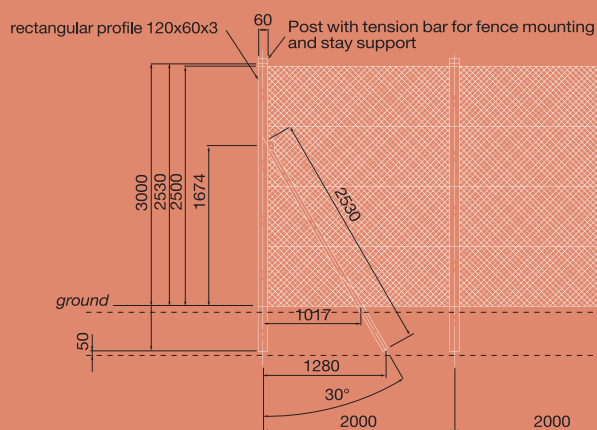
(\*) with or without supports on which stay has to be positioned



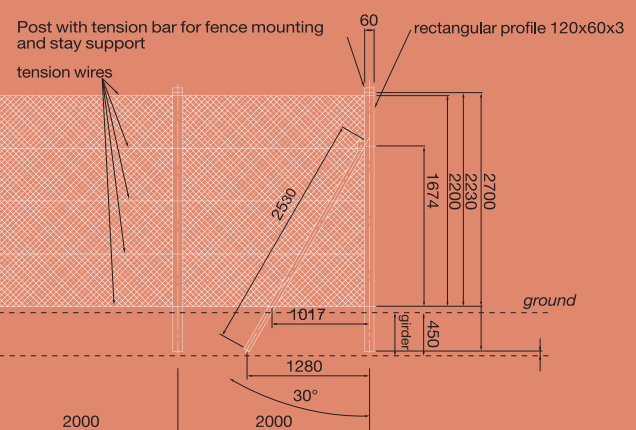
## ACCESSORIES

<b>tension wires</b>	Steel spiral galvanized rope, 19 wires 4.00 mm. Thick.
<b>tying wire</b>	galvanized and PVC coated green, diam. 2.6 mm
<b>clamp</b>	galvanized M5
<b>tensioner</b>	two galvanized eyelet M8

External perimetral separators h 2500 mm



Internal perimetral separators h 2200 mm



(\*) measures in mm.

Necessary to complete the fencing of sports facilities complying with the Ministerial Decree system of 18th March 1996 (as amended) and the UNI 10121-2:1992 regulations. The correspondence subject to the mode dictated by the manufacturer for proper application.

## PEDESTRIAN GATES

**Steel pedestrian gate**, pvc coated in yellow (RAL 1012) with perimeter frame and support poles, both of steel square tube with mirrors made of electro welded wiremesh components of the steel closing system. The supporting poles are supplied with plastic caps on the top part and adjustable hinges.

H cm	L cm	gate kg ca.	dim. maglia mm	painted gate size mm	frame dimension gate cm	supporting profile posts dim. mm	film coating thickness $\mu\text{m}$
253	165	223	50,0x50,0	177x253	143x253	120x120x5	150
223	165	207,2	50,0x50,0	177x223	143x223	120x120x5	150

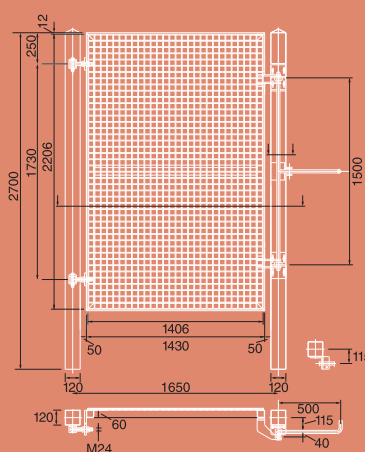
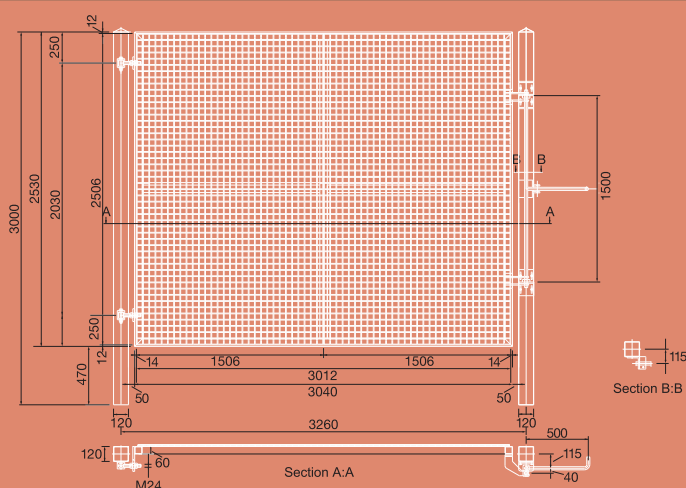
## VEHICLE ENTRANCE GATES

**Double vehicle entrance gate**, pvc coated in yellow (RAL 1012), with a perimeter frame of the doors and supporting poles, in a square steel tube, with mirrors made of electro welded wiremesh with square-shaped mesh, and components of the steel closing system.

H cm	L cm	gate kg ca.	dim. maglia mm	painted gate size mm	frame dimension gate cm	supporting profile posts dim. mm	film coating thickness $\mu\text{m}$
253	326	294	50,0x50,0	338x253	304x253	120x120x5	150
223	326	276,2	50,0x50,0	338x223	304x223	120x120x5	150

vehicle entrance gates h 253

pedestrian gates h 223



Necessary in order to complete the fencing of sports facilities complying with the Ministerial Decree system 18th March 1996 (as amended) and the UNI 10121-2:1992 regulations. The correspondence subject to the rules dictated by the manufacturer for proper application.