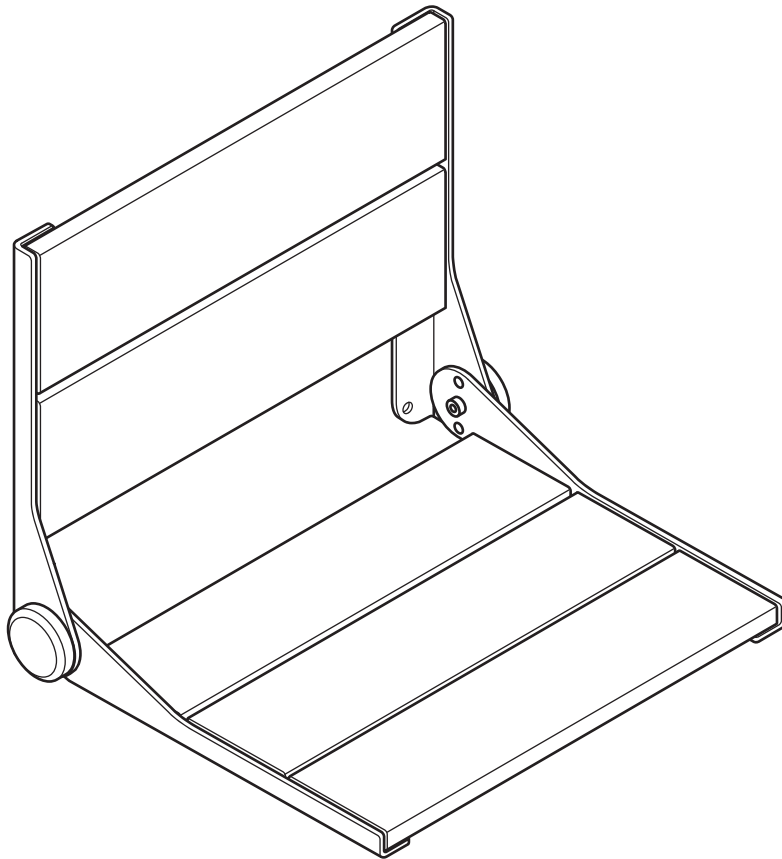


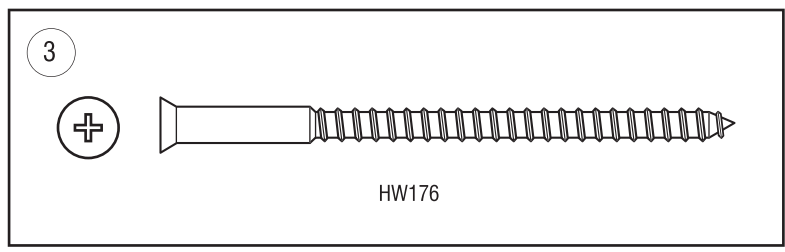
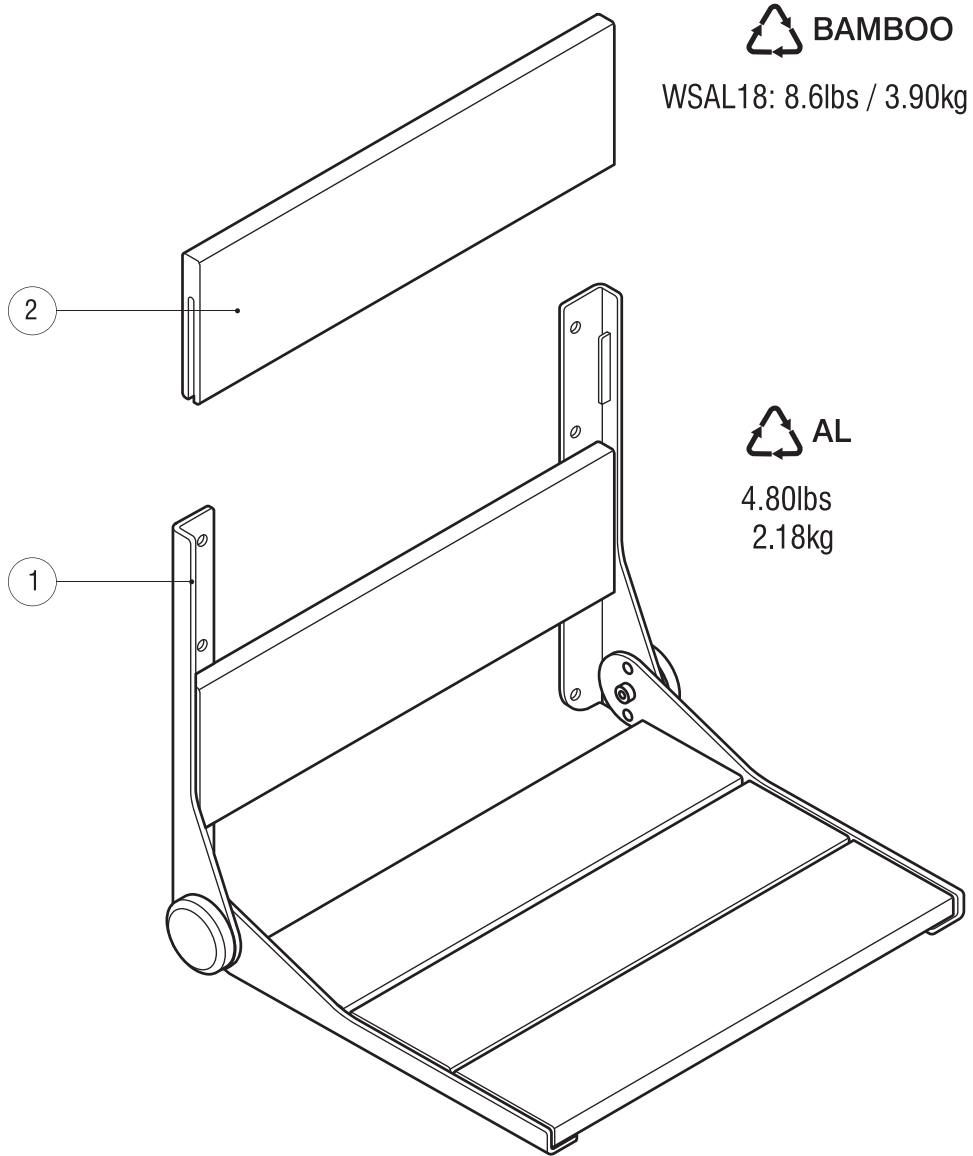
# THERMASOL<sup>®</sup>

*Steam & Showering Systems*



SEAT-S-GR

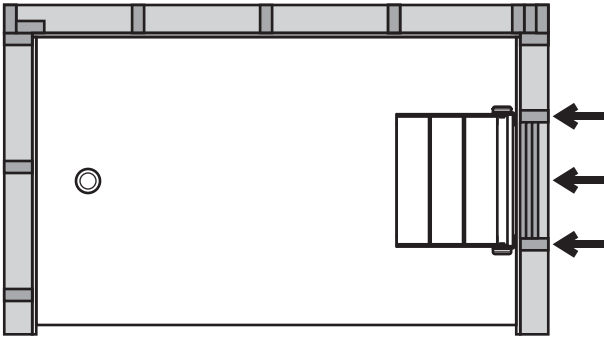
ThermaSol in Shower Seat



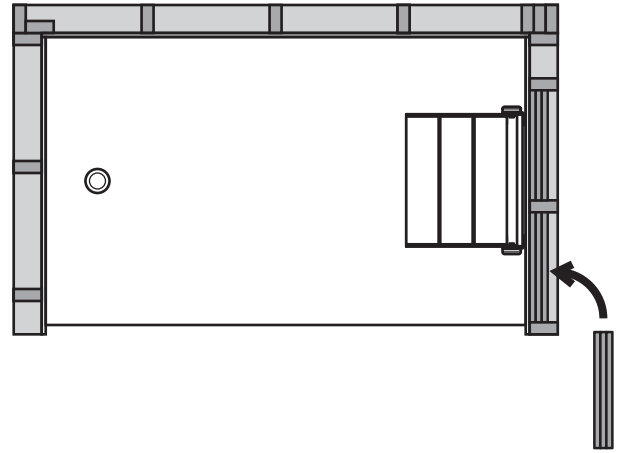
**MAX**

400lbs  
181kg

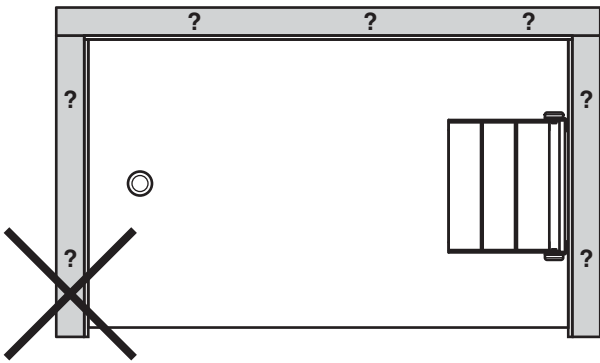
1



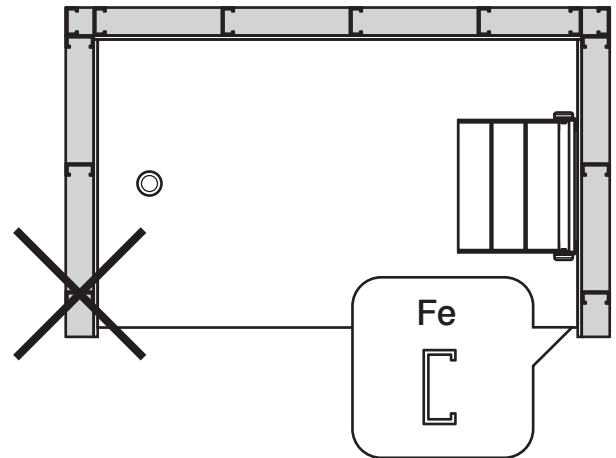
2



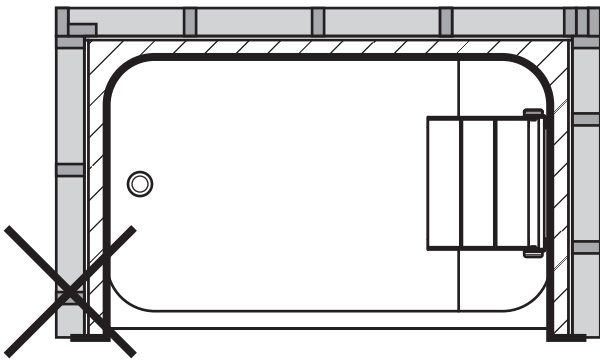
3



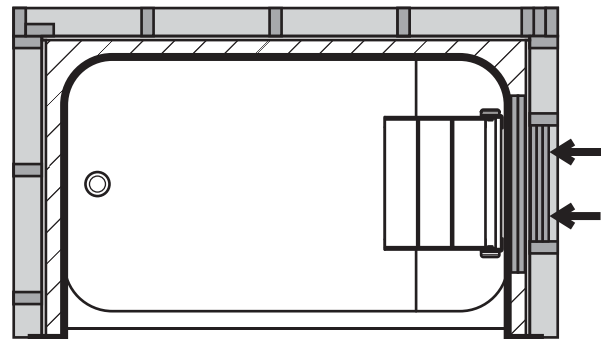
4



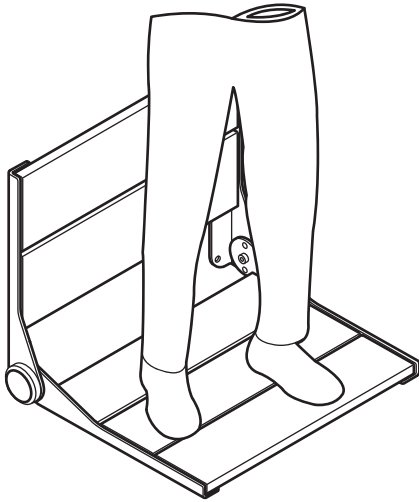
5a



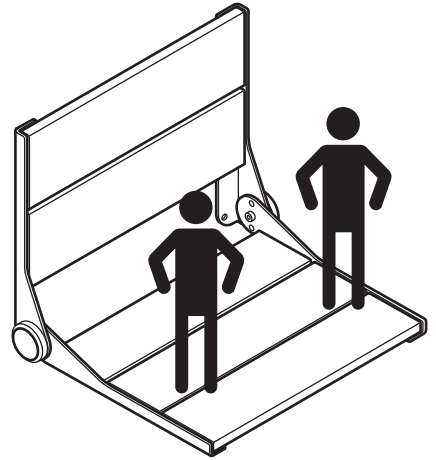
5b



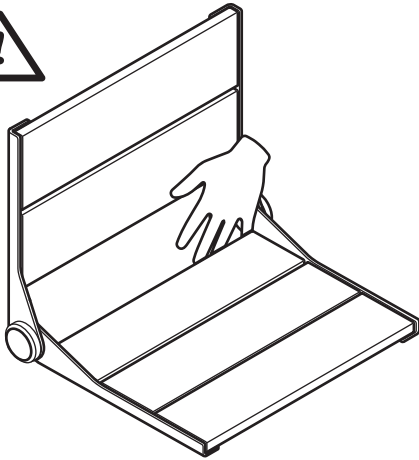
6



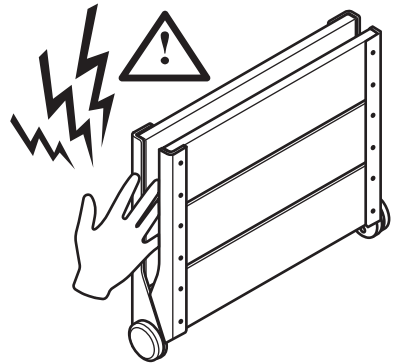
7



8

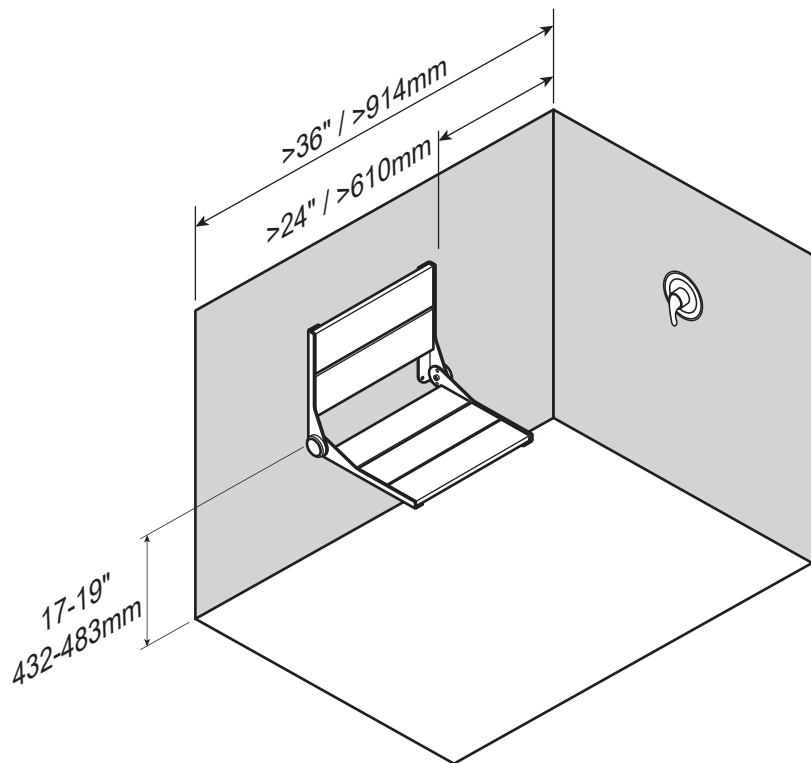
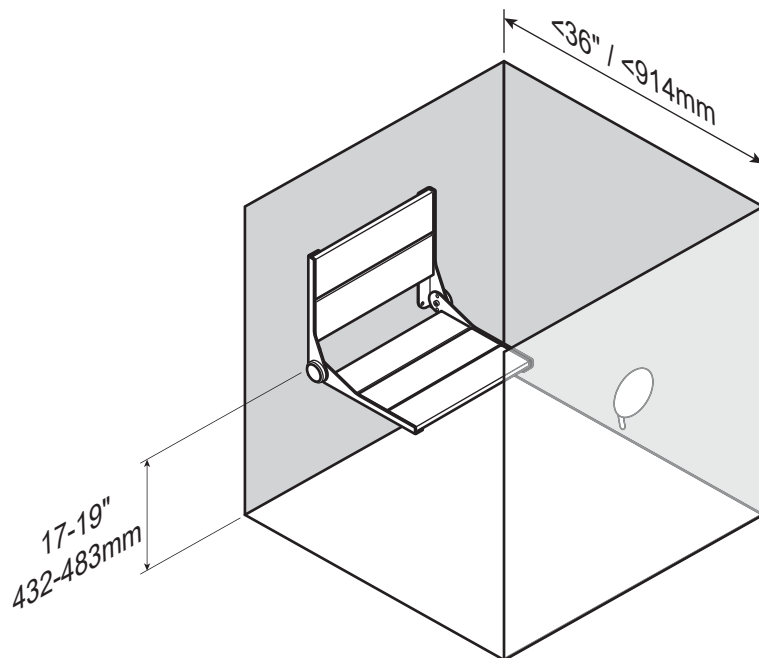


9

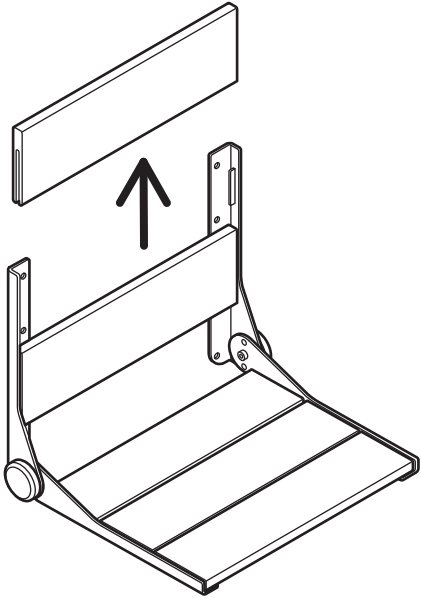


10

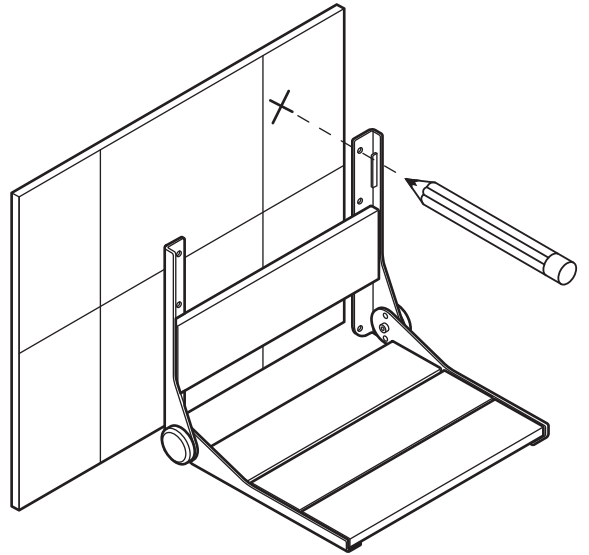




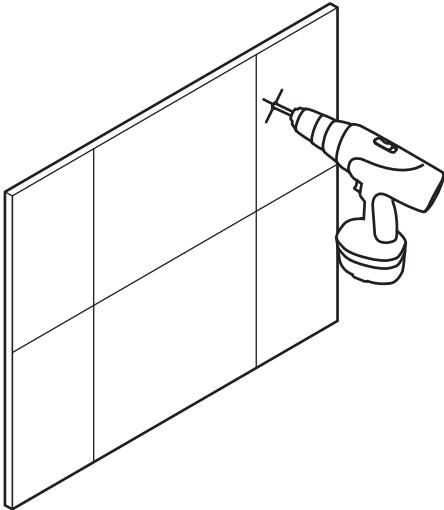
1



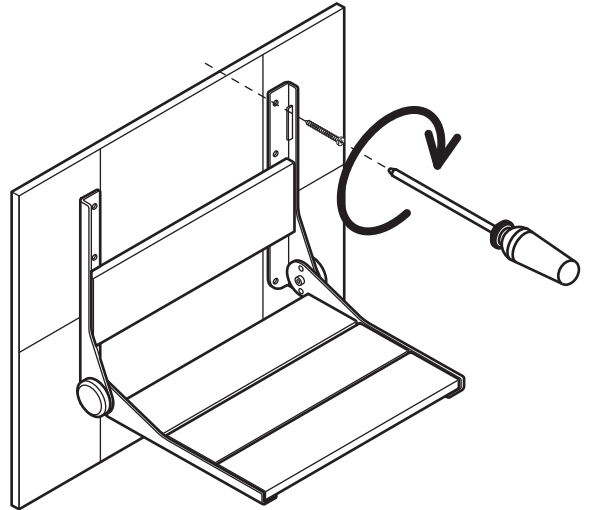
2



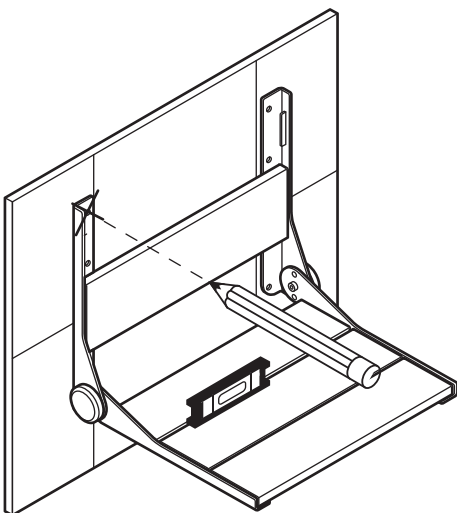
3



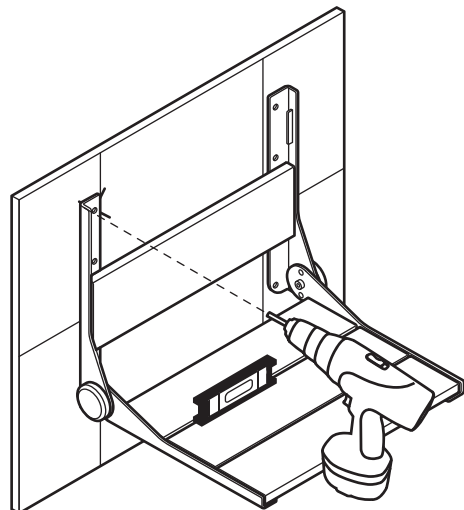
4



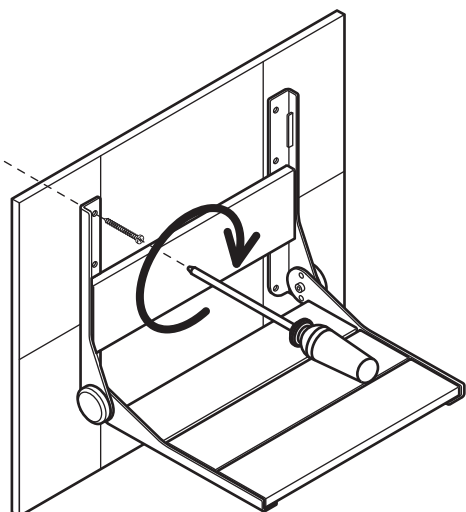
5



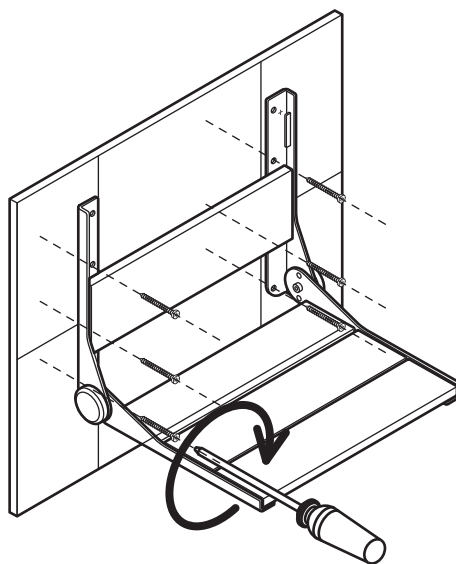
6



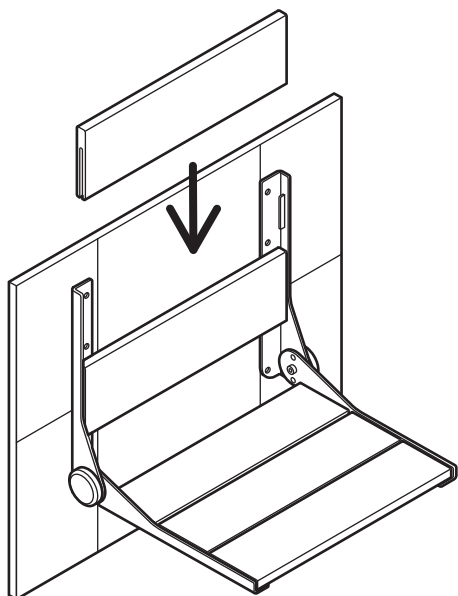
7



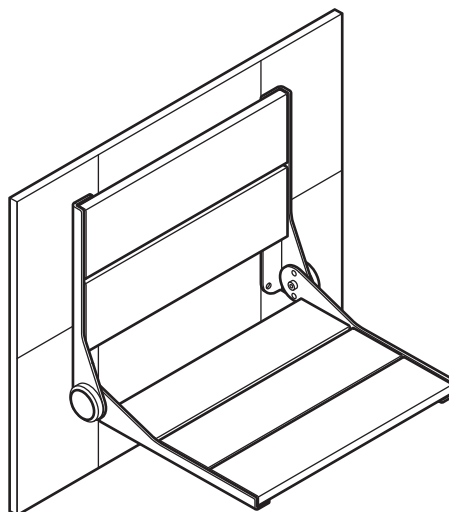
8



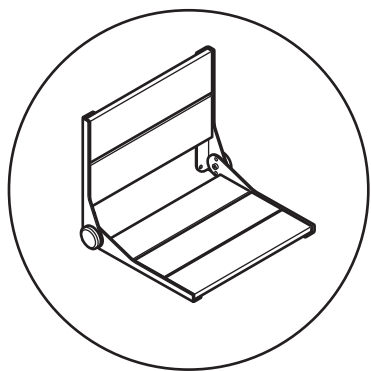
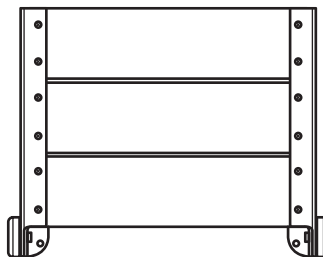
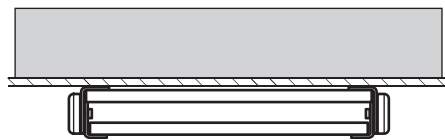
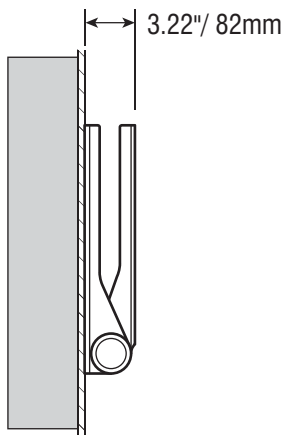
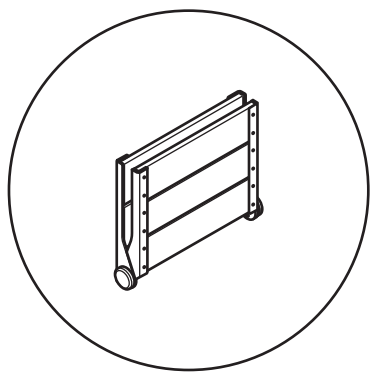
9



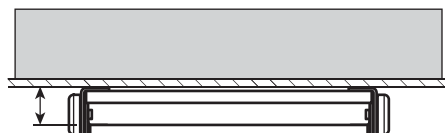
10



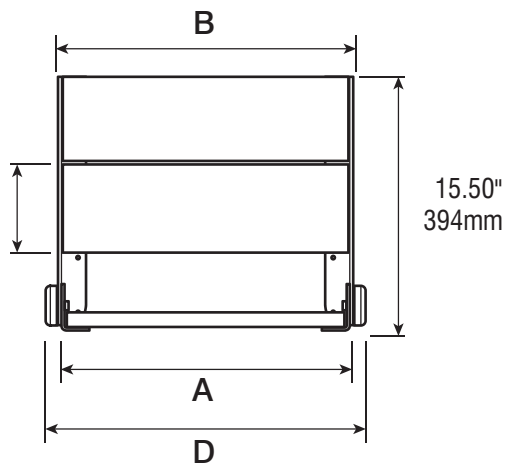
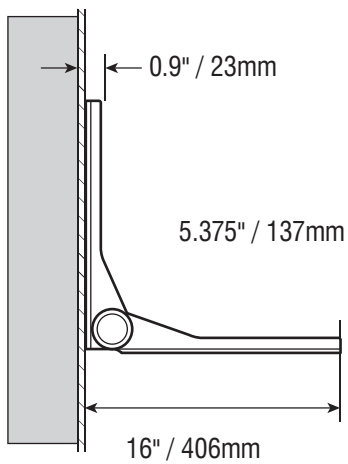
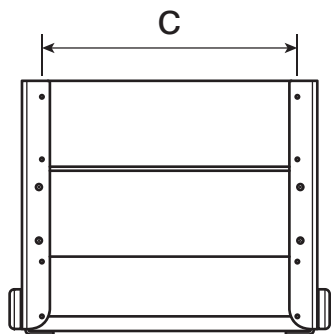
# E



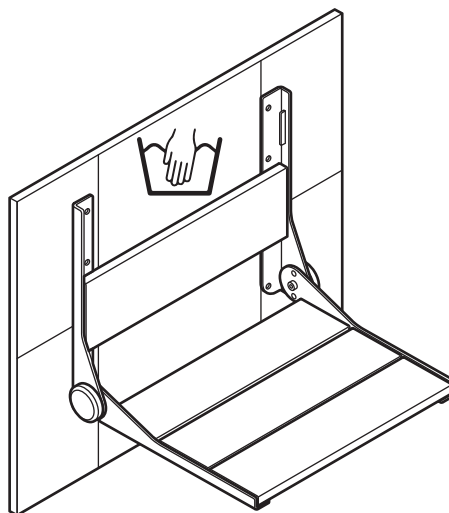
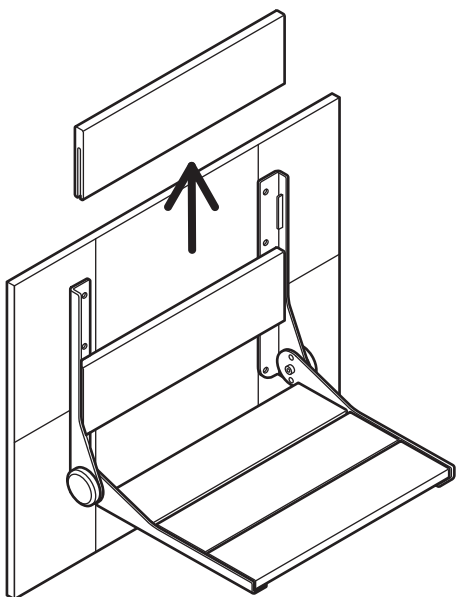
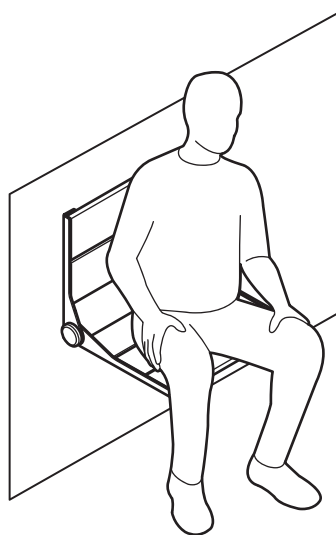
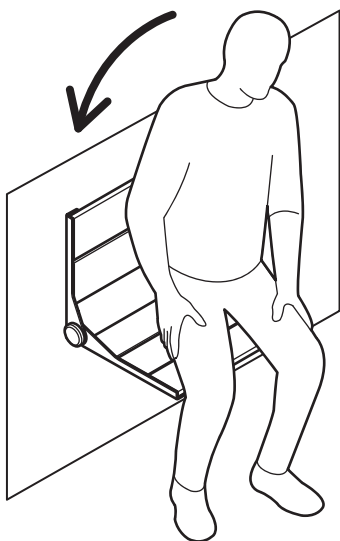
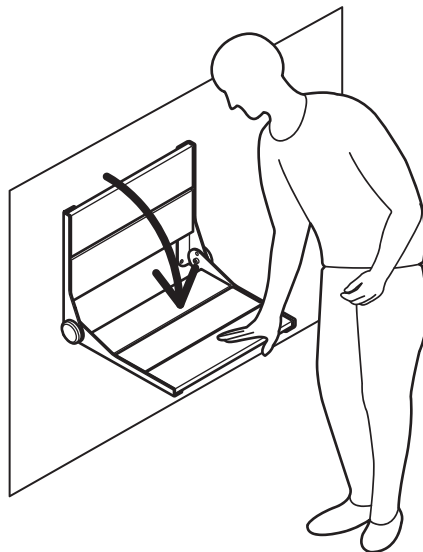
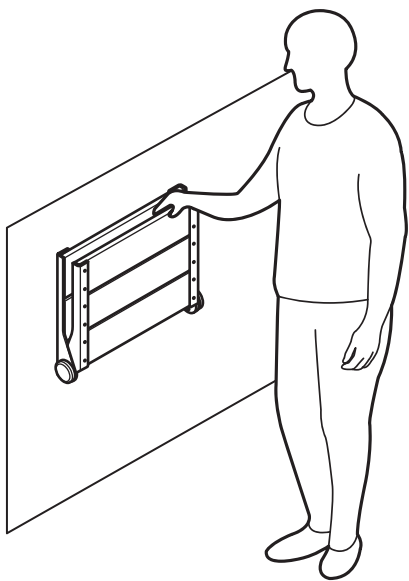
2.375" / 60mm



4.37" / 111mm







# English

## OVERVIEW

Thank you for choosing the ThermaSol in Shower Seat. Please read and understand the instructions in this manual; keep manual for future reference. It is your responsibility to see that your Shower Seat is properly assembled, installed, and cared for. Failure to follow instructions in this manual could result in serious injury or death. If you are not equipped to undertake the outlined work, we would recommend that you have your Shower Seat installed by a qualified contractor.

The Shower Seat is a high quality, commercial grade, fold down shower seat. The Shower Seat is intended to provide shower seating support for people with reduced mobility. The Shower Seat is intended to bear weight **ONLY** when the seat is in the down position; the seat is not intended to bear weight in any other position. The Shower Seat is intended to be folded up when not in use. A friction hinge ensures that the handle will not inadvertently lower when it is in the up position. The Shower Seat is installed with appropriate fasteners to a structural wall. The maximum user weight for this product is 400lbs / 181kgs. Note: Product is not intended to support full body weight (i.e. do not stand on the seat). The Shower Seat is not to be used in any other way than described above.

## ONE YEAR WARRANTY

Products are covered by a one year warranty from date of purchase against defects in materials and workmanship for the original purchaser (proof of purchase must be demonstrated on warranty claims). Limit one warranty replacement per customer. Warranty excludes normal wear and tear, wood finishing, surface cracks / scratches that are not structural, the existence of mold, damages due to misuse, accidental damage, alteration or damage caused by chemicals / cleaning products. Use recommended cleaning instructions to prolong the life of your product.

Buyer hereby indemnifies, agrees to hold harmless and defend HealthCraft Products Inc. from and against any and all liabilities, claims, (founded and unfounded), losses, damages, costs and expenses (including without limitation consequential damages and reasonable professional fees) resulting from buyers specification, application, or improper use of goods described hereon; buyers omission or neglect. HealthCraft Products Inc. does not assume any liability for damage resulting from services performed by others or faulty installation, misuse or misapplication of goods sold by HealthCraft Products Inc. HealthCraft Products Inc. shall not be liable for prospective profits or special, indirect, or consequential damages, or for the cost of any corrective work done without HealthCraft Products Inc. prior approval. HealthCraft Products Inc. total liability hereunder shall in no event exceed the purchase price of the goods specified hereon. Warranty, specifications, materials and finishes are subject to change without notice. Updated warranty: [www.invisiacollection.com/download/4528/](http://www.invisiacollection.com/download/4528/)

HealthCraft Products Inc.  
2790 Fenton Road  
Ottawa, Canada  
K1T 3T7



Gate 88  
Kanalgatan 45B  
Skellefteå, Sweden  
93123



## DELIVERY CONTENTS / PARTS

### FIGURE A.

1. Seat Assembly
2. Top Wall Panel
3. #10 x 3" Wood Screw, S/S (x8)

## INSTALLATION WARNINGS

### FIGURE B.

1. Seat must be installed to walls that are structurally sound.
2. If desired installation location does not have adequate structure, add wood blocking.
3. CAUTION - Do not install if structure behind walls is unknown.
4. CAUTION - Do not install into metal studs.
- 5a. CAUTION - Do not install in fiberglass / acrylic shower enclosures with insufficient stiffness and strength. 5b. Add wood blocking if required.
6. CAUTION - Do not use seat for purposes other than sitting.
7. CAUTION - Do not eat more than 1 person at a time.
8. CAUTION - Gap between wood and wall.
9. CAUTION - Pinch points present when folding seat.
10. CAUTION - Seat and bathtub are slippery when wet.

## SUGGESTED SERENA-SEAT LOCATIONS

### FIGURE C.

To determine the optimal mounting location, we recommend consulting with an appropriate healthcare professional. If side wall (to faucet) is less than 36" / 914mm, seat can be mounted on the back wall. If side wall (to faucet) is greater than 36" / 914mm, seat can be mounted on side wall (less than 24" / 610mm from faucet wall). ADA recommend seat height from finished floor 17-19" / 432-483mm.

## INSTALLATION

### FIGURE D.

1. Slide top panel off of frame.
2. Mark the location on the wall of the top hole of the frame (to position the seat surface at the required height).
3. Drill pilot hole for fastener.
4. Fasten the frame to the wall using appropriate fastener and waterproofing.
5. Use a level to ensure the seat is level and mark location on the wall of top hole on the frame.
6. Drill pilot hole for fastener.
7. Fasten the frame to the wall using appropriate fastener and waterproofing.
8. Repeat step 6 and 7 for remaining holes (x6)
9. Slide top panel onto frame.
10. Inspect hardware regularly, and tighten if required.

## TECHNICAL DATA

### FIGURE E.

Model	A	B	C	D
	Seat	Back Rest	Hole Spacing	Overall Width
WS18	18"	18.50"	16"	20"
	457mm	470mm	406mm	508mm

## PRODUCT USAGE

See Figure F.

## CLEANING INSTRUCTIONS

Weekly cleaning is recommended. Use mild soap and water with a soft cloth as necessary. Wipe down damp surfaces with dry cloth. Always wipe in the direction of the wood grain. Do not use abrasive cleaners or commercial cleaning products. Do not use wire brushes, steel wool or abrasives (pad, papers, cloths, etc.).



