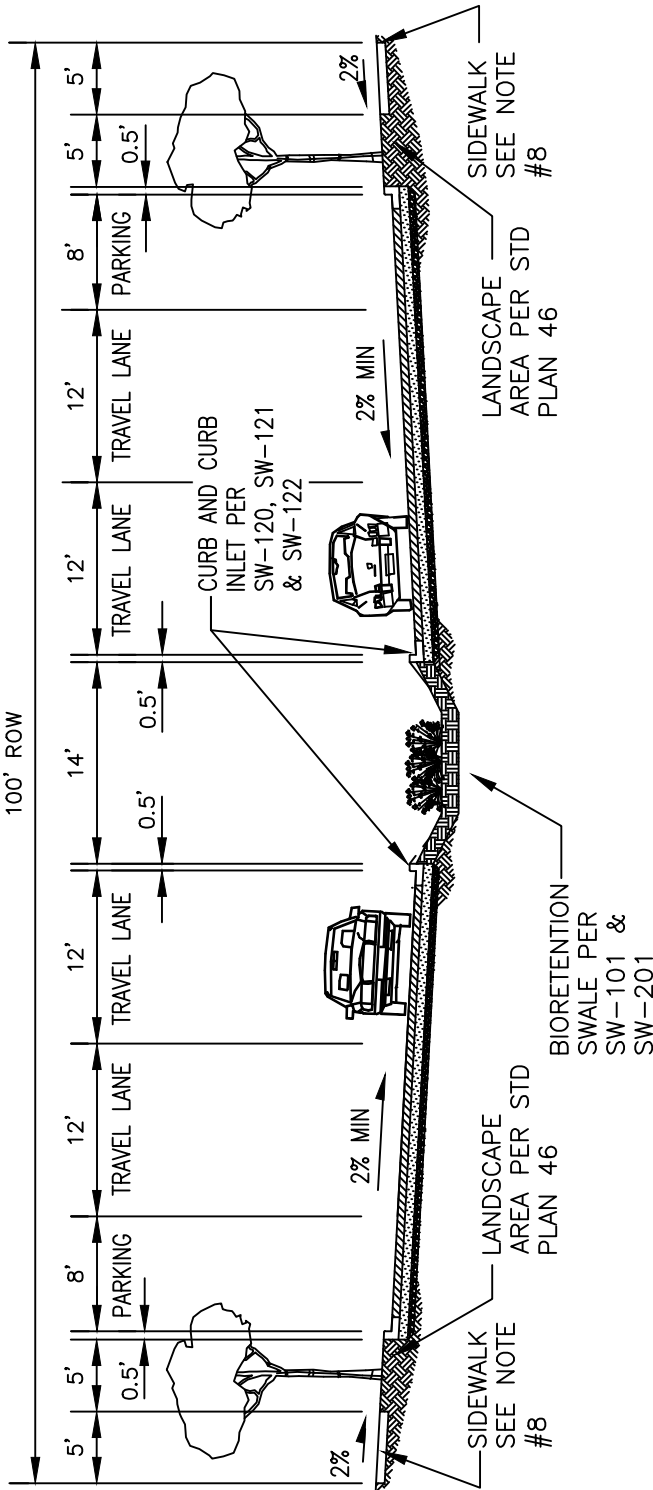


DIVIDED FOUR LANE (PRINCIPAL ARTERIAL)



DESIGNER INFORMATION

1. ADAPT EXAMPLE TO YOUR ENGINEERED DESIGN.
2. PROVIDE BEGINNING AND ENDING STATIONS FOR EACH FACILITY. PROVIDE STATIONS AND/OR DIMENSIONS AND ELEVATIONS AT EACH INLET, OUTLET CHECK DAM, PLANTER CORNER, AND SIDEWALK NOTCH.
3. LONGITUDINAL SLOPE OF PLANTER MATCHES STREET.
4. SIDEWALK ELEVATIONS MUST BE SET ABOVE CHECK DAM AND INLET/OUTLET ELEVATIONS TO ALLOW OVERFLOW TO DRAIN TO STREET BEFORE SIDEWALK.
5. A MINIMUM 4 FOOT WIDE INTERIOR PLANTER IS REQUIRED FOR STREET TREES. MAXIMIZE PLANTER WIDTH.
6. EXISTING UTILITY LINES MUST BE SLEEVED OR RELOCATED. PROPOSED UTILITY LINES TO BE LOCATED OUT OF FACILITY.
7. AREA AND DEPTH OF FACILITY ARE BASED ON ENGINEERING CALCULATIONS AND RIGHT-OF-WAY CONSTRAINTS.
8. OPTIONAL: PERVIOUS SURFACING PER SW-151.

RELATED DETAILS AND RESOURCES

9. REFER TO DETAIL SW-100 OR SW-200 FOR STORMWATER PLANTER. FOR MINIMUM AREA SEE SALINAS SWDS SECTION 4.0, AS ADOPTED BY THE CITY OF SOLEDAD. CHECK DAM DETAILS SW-130 AND SW-131.
10. PLANTER WALL DETAIL SW-110 OR SW-111.
11. INLET DETAILS SW-120, SW-121, AND SW-122.
12. SPECIAL REQUIREMENTS FOR WATER LINES, METERS, AND FIRE HYDRANTS DETAIL SW-142.
13. STORMWATER PLANTER PLANTING LIST SEE CITY OF SOLEDAD PLANNING DEPARTMENT
14. BSM REQUIREMENTS SEE CITY OF SALINAS SWDS APPENDIX D, AS ADOPTED BY THE CITY OF SOLEDAD.

DEPARTMENT OF PUBLIC WORKS
CITY OF SOLEDAD

TITLE: DIVIDED FOUR LANE (PRINCIPAL ARTERIAL)

STANDARD PLAN

DESIGNED BY:
DI/WC

DRAWN BY:
WC

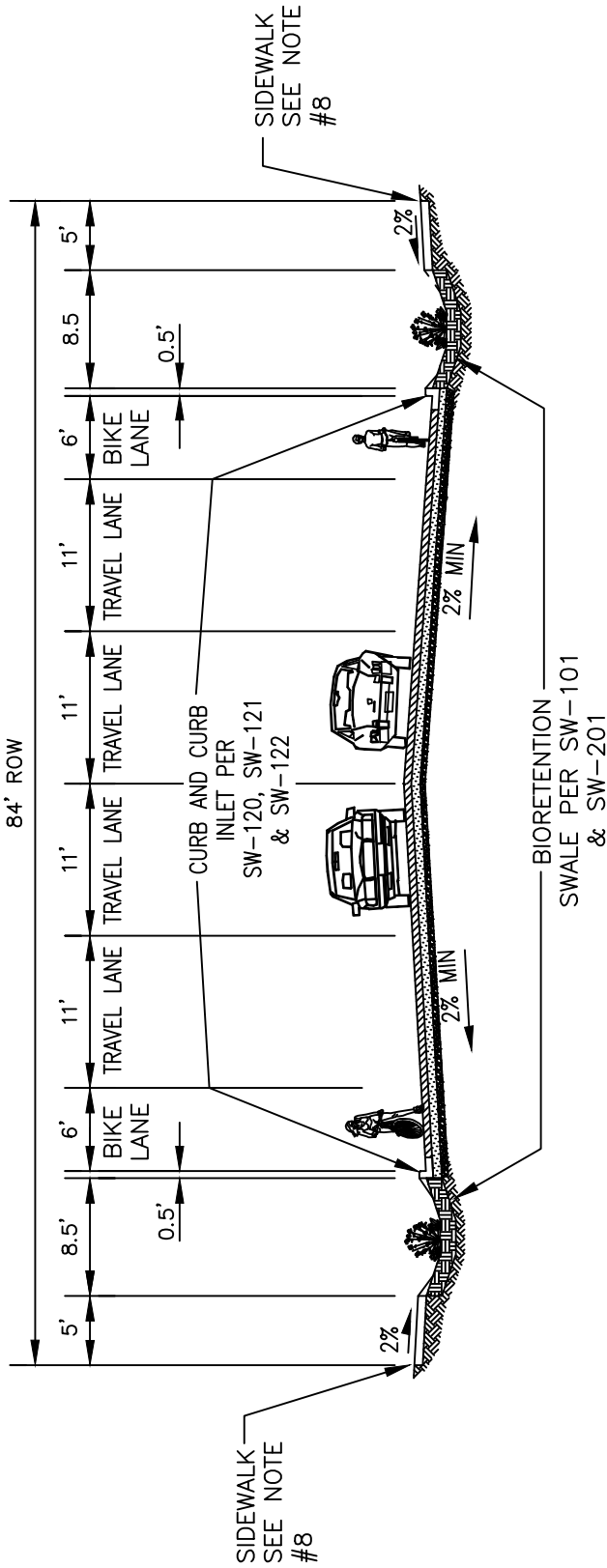
CHECKED BY:
DI/WC

APPROVED: _____
DONALD T. WILCOX, P.E. DIRECTOR OF PUBLIC WORKS

DATE: _____

03A

ARTERIAL
84' ROW



DESIGNER INFORMATION

1. ADAPT EXAMPLE TO YOUR ENGINEERED DESIGN.
2. PROVIDE BEGINNING AND ENDING STATIONS FOR EACH FACILITY. PROVIDE STATIONS AND/OR DIMENSIONS AND ELEVATIONS AT EACH INLET, OUTLET CHECK DAM, PLANTER CORNER, AND SIDEWALK NOTCH.
3. LONGITUDINAL SLOPE OF PLANTER MATCHES STREET.
4. SIDEWALK ELEVATIONS MUST BE SET ABOVE CHECK DAM AND INLET/OUTLET ELEVATIONS TO ALLOW OVERFLOW TO DRAIN TO STREET BEFORE SIDEWALK.
5. A MINIMUM 4 FOOT WIDE INTERIOR PLANTER IS REQUIRED FOR STREET TREES. MAXIMIZE PLANTER WIDTH.
6. EXISTING UTILITY LINES MUST BE SLEEVED OR RELOCATED. PROPOSED UTILITY LINES TO BE LOCATED OUT OF FACILITY.
7. AREA AND DEPTH OF FACILITY ARE BASED ON ENGINEERING CALCULATIONS AND RIGHT-OF-WAY CONSTRAINTS.
8. OPTIONAL: PERVIOUS SURFACING PER SW-151.

RELATED DETAILS AND RESOURCES

9. REFER TO DETAIL SW-100 OR SW-200 FOR STORMWATER PLANTER. FOR MINIMUM AREA SEE SALINAS SWDS SECTION 4.0, AS ADOPTED BY THE CITY OF SOLEDAD. CHECK DAM DETAILS SW-130 AND SW-131.
10. PLANTER WALL DETAIL SW-110 OR SW-111.
11. INLET DETAILS SW-120, SW-121, AND SW-122.
12. SPECIAL REQUIREMENTS FOR WATER LINES, METERS, AND FIRE HYDRANTS DETAIL SW-142.
13. STORMWATER PLANTER PLANTING LIST SEE CITY OF SOLEDAD PLANNING DEPARTMENT BSM REQUIREMENTS SEE CITY OF SALINAS SWDS APPENDIX D, AS ADOPTED BY THE CITY OF SOLEDAD.

DEPARTMENT OF PUBLIC WORKS
CITY OF SOLEDAD

TITLE: ARTERIAL

STANDARD PLAN

DESIGNED BY:
DI/WC

DRAWN BY:
WC

CHECKED BY:
DI/WC

APPROVED:

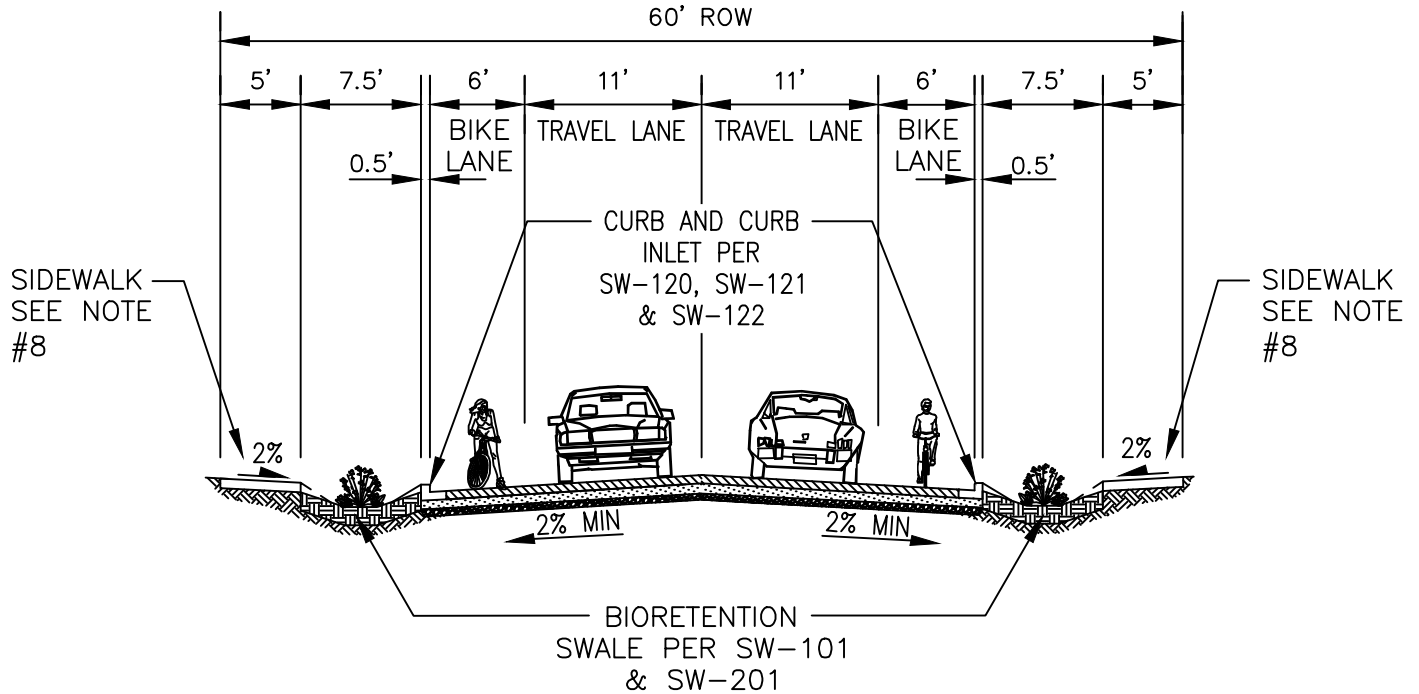
DONALD T. WILCOX, P.E.

DIRECTOR OF PUBLIC WORKS

DATE:

03B

COLLECTOR



DESIGNER INFORMATION

1. ADAPT EXAMPLE TO YOUR ENGINEERED DESIGN.
2. PROVIDE BEGINNING AND ENDING STATIONS FOR EACH FACILITY. PROVIDE STATIONS AND/OR DIMENSIONS AND ELEVATIONS AT EACH INLET, OUTLET CHECK DAM, PLANTER CORNER, AND SIDEWALK NOTCH.
3. LONGITUDINAL SLOPE OF PLANTER MATCHES STREET.
4. SIDEWALK ELEVATIONS MUST BE SET ABOVE CHECK DAM AND INLET/OUTLET ELEVATIONS TO ALLOW OVERFLOW TO DRAIN TO STREET BEFORE SIDEWALK.
5. A MINIMUM 4 FOOT WIDE INTERIOR PLANTER IS REQUIRED FOR STREET TREES. MAXIMIZE PLANTER WIDTH.
6. EXISTING UTILITY LINES MUST BE SLEEVED OR RELOCATED. PROPOSED UTILITY LINES TO BE LOCATED OUT OF FACILITY.
7. AREA AND DEPTH OF FACILITY ARE BASED ON ENGINEERING CALCULATIONS AND RIGHT-OF-WAY CONSTRAINTS.
8. OPTIONAL: PERVIOUS SURFACING PER SW-151.

RELATED DETAILS AND RESOURCES

9. REFER TO DETAIL SW-100 OR SW-200 FOR STORMWATER PLANTER. FOR MINIMUM AREA SEE SALINAS SWDS SECTION 4.0, AS ADOPTED BY THE CITY OF SOLEDAD. CHECK DAM DETAILS SW-130 AND SW-131.
10. PLANTER WALL DETAIL SW-110 OR SW-111.
11. INLET DETAILS SW-120, SW-121, AND SW-122.
12. SPECIAL REQUIREMENTS FOR WATER LINES, METERS, AND FIRE HYDRANTS DETAIL SW-142.
13. STORMWATER PLANTER PLANTING LIST SEE CITY OF SOLEDAD PLANNING DEPARTMENT
14. BSM REQUIREMENTS SEE CITY OF SALINAS SWDS APPENDIX D, AS ADOPTED BY THE CITY OF SOLEDAD.

DEPARTMENT OF PUBLIC WORKS CITY OF SOLEDAD

TITLE: COLLECTOR

STANDARD PLAN

DESIGNED BY:
DI/WC

APPROVED:

DATE:

DRAWN BY:
WC

DONALD T. WILCOX, P.E.

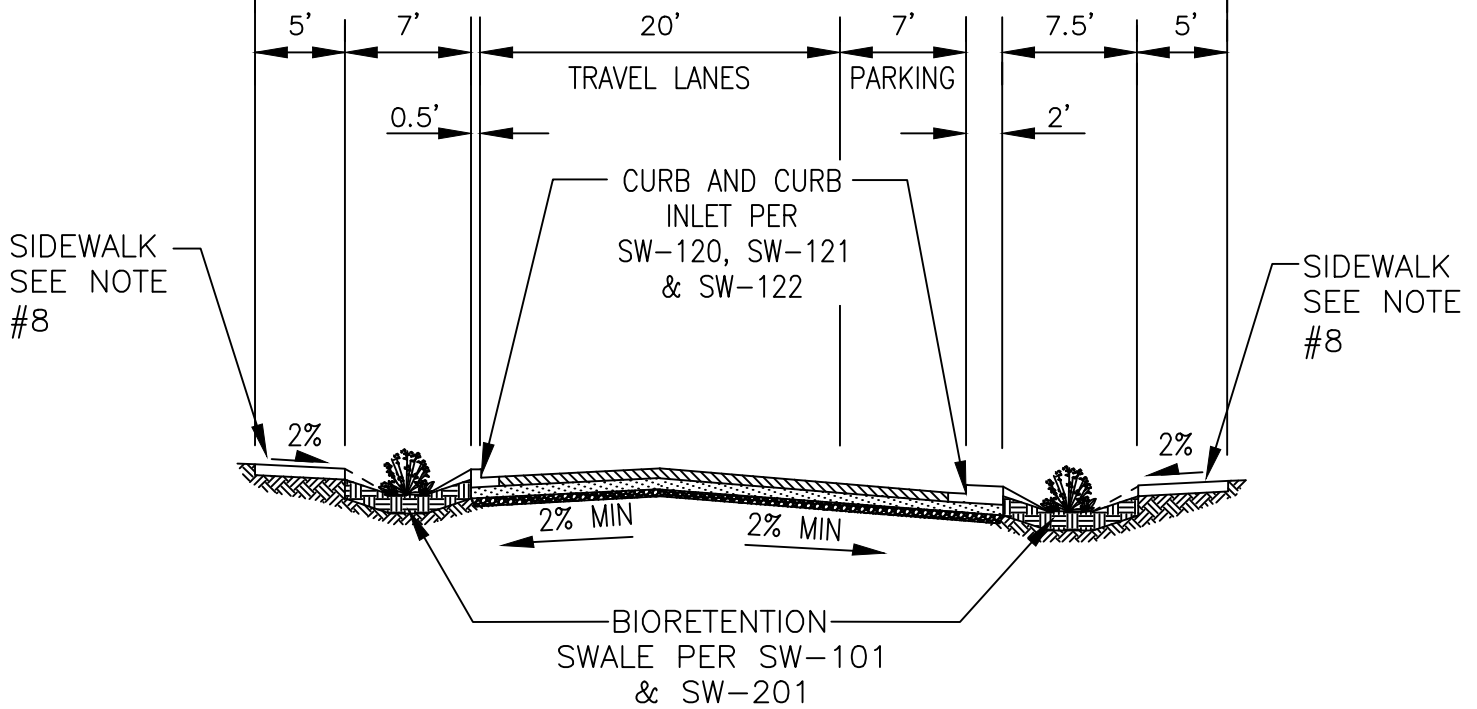
DIRECTOR OF PUBLIC WORKS

CHECKED BY:
DI/WC

03C

LOCAL

54' ROW



DESIGNER INFORMATION

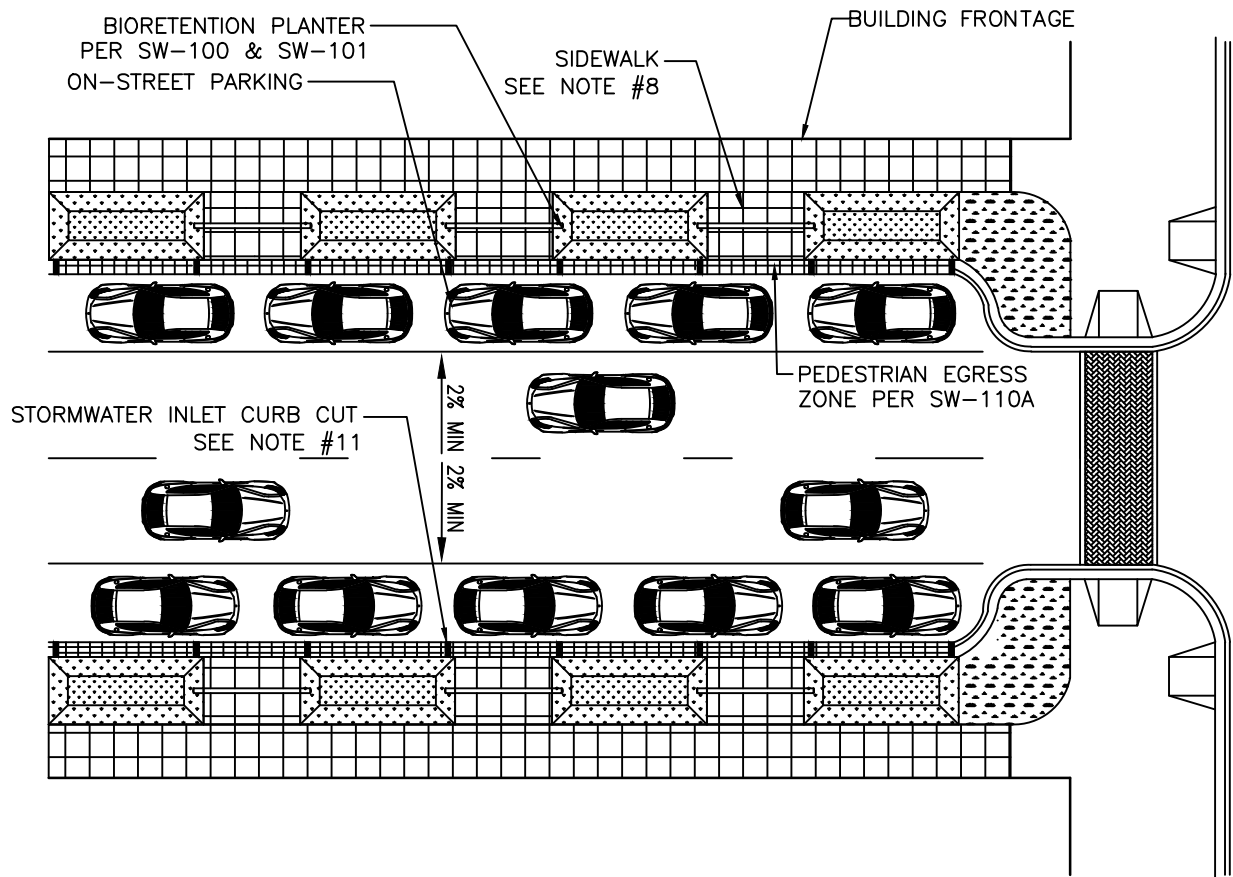
1. ADAPT EXAMPLE TO YOUR ENGINEERED DESIGN.
2. PROVIDE BEGINNING AND ENDING STATIONS FOR EACH FACILITY. PROVIDE STATIONS AND/OR DIMENSIONS AND ELEVATIONS AT EACH INLET, OUTLET CHECK DAM, PLANTER CORNER, AND SIDEWALK NOTCH.
3. LONGITUDINAL SLOPE OF PLANTER MATCHES STREET.
4. SIDEWALK ELEVATIONS MUST BE SET ABOVE CHECK DAM AND INLET/OUTLET ELEVATIONS TO ALLOW OVERFLOW TO DRAIN TO STREET BEFORE SIDEWALK.
5. A MINIMUM 4 FOOT WIDE INTERIOR PLANTER IS REQUIRED FOR STREET TREES. MAXIMIZE PLANTER WIDTH.
6. EXISTING UTILITY LINES MUST BE SLEEVED OR RELOCATED. PROPOSED UTILITY LINES TO BE LOCATED OUT OF FACILITY.
7. AREA AND DEPTH OF FACILITY ARE BASED ON ENGINEERING CALCULATIONS AND RIGHT-OF-WAY CONSTRAINTS.
8. OPTIONAL: PERVIOUS SURFACING PER SW-151.

RELATED DETAILS AND RESOURCES

9. REFER TO DETAIL SW-100 OR SW-200 FOR STORMWATER PLANTER. FOR MINIMUM AREA SEE SALINAS SWDS SECTION 4.0, AS ADOPTED BY THE CITY OF SOLEDAD. CHECK DAM DETAILS SW-130 AND SW-131.
10. PLANTER WALL DETAIL SW-110 OR SW-111.
11. INLET DETAILS SW-120, SW-121, AND SW-122.
12. SPECIAL REQUIREMENTS FOR WATER LINES, METERS, AND FIRE HYDRANTS DETAIL SW-142.
13. STORMWATER PLANTER PLANTING LIST SEE CITY OF SOLEDAD PLANNING DEPARTMENT
14. BSM REQUIREMENTS SEE CITY OF SALINAS SWDS APPENDIX D, AS ADOPTED BY THE CITY OF SOLEDAD.

DEPARTMENT OF PUBLIC WORKS CITY OF SOLEDAD

TITLE: LOCAL		STANDARD PLAN
DESIGNED BY: DI/WC	APPROVED:	DATE:
DRAWN BY: WC	DONALD T. WILCOX, P.E. DIRECTOR OF PUBLIC WORKS	03D
CHECKED BY: DI/WC		



DESIGNER INFORMATION

1. ADAPT EXAMPLE TO YOUR ENGINEERED DESIGN.
2. PROVIDE BEGINNING AND ENDING STATIONS FOR EACH FACILITY. PROVIDE STATIONS AND/OR DIMENSIONS AND ELEVATIONS AT EACH INLET, OUTLET CHECK DAM, PLANTER CORNER, AND SIDEWALK NOTCH.
3. LONGITUDINAL SLOPE OF PLANTER MATCHES STREET.
4. SIDEWALK ELEVATIONS MUST BE SET ABOVE CHECK DAM AND INLET/OUTLET ELEVATIONS TO ALLOW OVERFLOW TO DRAIN TO STREET BEFORE SIDEWALK.
5. A MINIMUM 4 FOOT WIDE INTERIOR PLANTER IS REQUIRED FOR STREET TREES. MAXIMIZE PLANTER WIDTH.
6. EXISTING UTILITY LINES MUST BE SLEEVED OR RELOCATED. PROPOSED UTILITY LINES TO BE LOCATED OUT OF FACILITY.
7. AREA AND DEPTH OF FACILITY ARE BASED ON ENGINEERING CALCULATIONS AND RIGHT-OF-WAY CONSTRAINTS.
8. OPTIONAL: PERVIOUS SURFACING PER SW-151.

RELATED DETAILS AND RESOURCES

9. REFER TO DETAIL SW-100 OR SW-200 FOR STORMWATER PLANTER. FOR MINIMUM AREA SEE SALINAS SWDS SECTION 4.0, AS ADOPTED BY THE CITY OF SOLEDAD. CHECK DAM DETAILS SW-130 AND SW-131.
10. PLANTER WALL DETAIL SW-110 OR SW-111.
11. INLET DETAILS SW-120, SW-121, AND SW-122.
12. SPECIAL REQUIREMENTS FOR WATER LINES, METERS, AND FIRE HYDRANTS DETAIL SW-142.
13. STORMWATER PLANTER PLANTING LIST DETAIL SW-160 & SW-161.
14. BSM REQUIREMENTS SEE CITY OF SALINAS SWDS APPENDIX D, AS ADOPTED BY THE CITY OF SOLEDAD.

DEPARTMENT OF PUBLIC WORKS
CITY OF SOLEDAD

TITLE: PLAN VIEW: COLLECTOR		STANDARD PLAN
DESIGNED BY: DI/WC	APPROVED:	03E
DRAWN BY: WC	DATE:	
CHECKED BY: DI/WC	DONALD T. WILCOX, P.E. DIRECTOR OF PUBLIC WORKS	